



**Ice Machine Parts List for
Series B0200 Models**

BR0200A

BD0203W

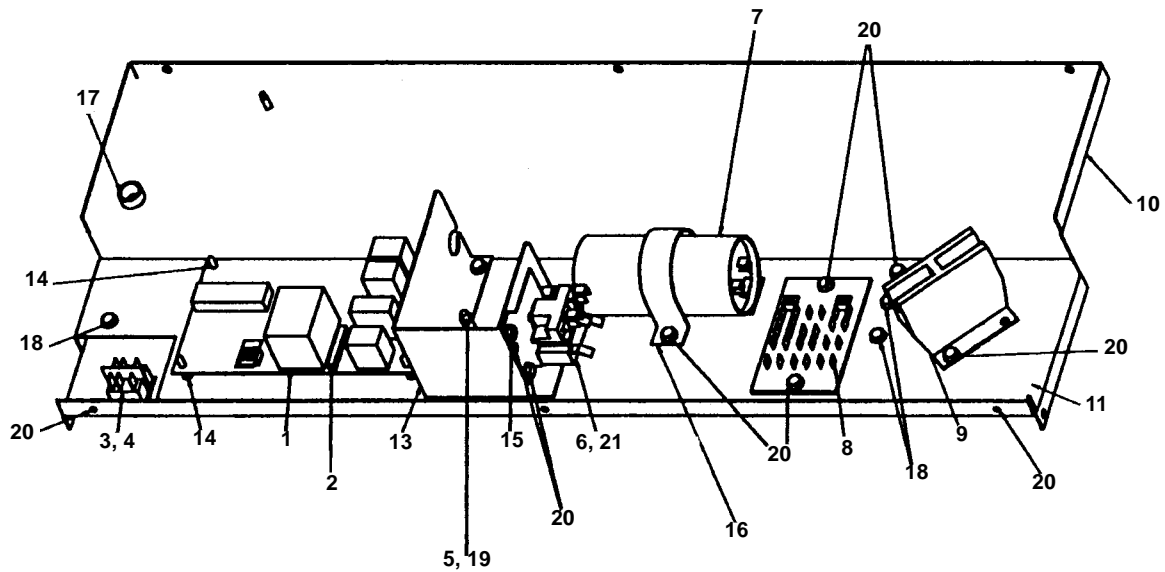
BR0201W

BY0204A

BD0202A

BY0205W

B0200 CONTROL BOX



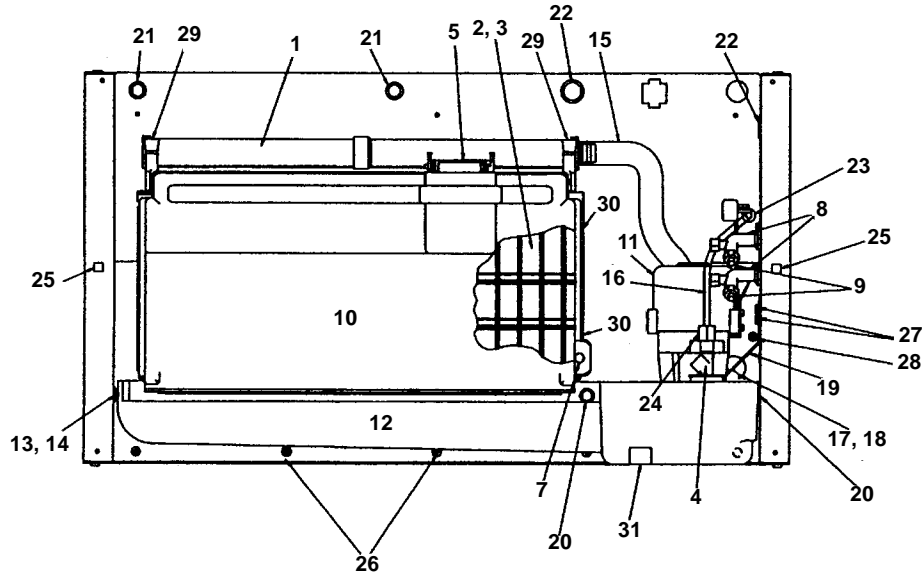
1351

DESCRIPTION

| | PART NO. |
|---|-----------------|
| 1 Control Board (For use with all voltages) | † 76-2800-3 |
| 2 Fuse for Control Board, 7 Amp | 25-1100-3 |
| 2a Mini-fuse for Control Board, .125 Amp* | † 25-1116-9 |
| 3 Toggle Switch only | 23-0134-3 |
| 4 Toggle Switch With Wiring Harness | † 20-3105-9 |
| 5 High Pressure Cut-out Control | † 23-5536-9 |
| 6 Start Relay | 85-0374-3 |
| 7 Start Capacitor | 85-0371-3 |
| 8 Terminal Board With Wiring Harness | 20-3179-3 |
| 9 Contactor, 120V* | † 20-0658-9 |
| 10 Control Box Base | † 601408-1 |
| 11 Control Box Panel | 600934-1 |
| 12 Control Box Cover (Not shown) | † 601409-1 |
| 13 Shield for Control Board | 600929-1 |
| 14 Support for Control Board | 43-0225-3 |
| 15 Bracket for Mounting Relay | 600492-1 |
| 16 Bracket for Capacitor | 600452-1 |
| 17 Bushing, .625" | † 25-0016-9 |
| 18 Screw, Ground | † 52-0216-9 |
| 19 Screw for High Pressure Control | † 51-2166-9 |
| 20 Screw, #10-24 x 1/2" | † 52-0206-9 |
| 21 Screw, #8-32 x 1/4" | † 50-2672-9 |

* See Page 8 for 230V Applications

B0200 EVAPORATOR



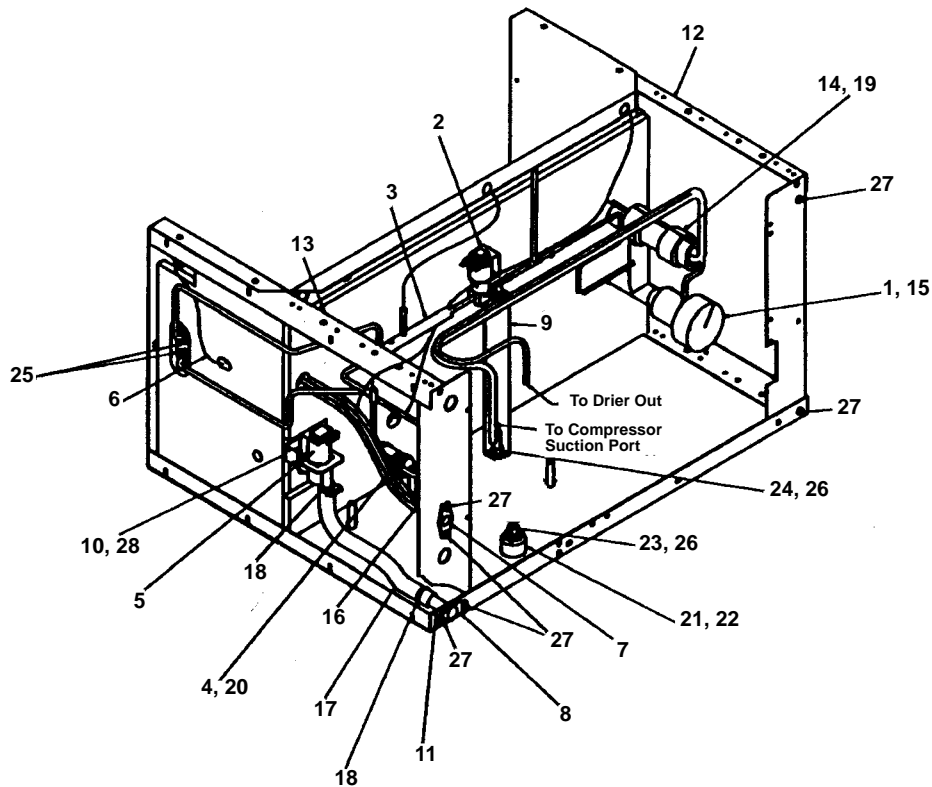
1352

DESCRIPTION

| DESCRIPTION | PART NO. |
|---|---------------------|
| 1 Distribution Tube Assembly | † 76-2498-3 |
| 2 Evaporator, Regular Cube | † 76-2585-9 |
| 3 Evaporator, Dice Cube | † 76-2584-9 |
| 3a Evaporator, Half Dice | † 76-2658-9 |
| 4 Float Valve | † 83-6904-9 |
| 5 Ice Thickness Control | † 76-2781-3 |
| 6 Ice Thickness Control Adjustment Screw | † 50-1210-9 |
| 7 Magnetic Bin Switch | † 23-0148-3 |
| 8 Process Valve with Stem | † 83-7310-9 |
| 9 Stem Assembly only | No Longer Available |
| 10 Water Curtain | 40-0478-3 |
| 10a Water Curtain Hanger | 76-2776-3 |
| 10b Water Curtain Magnet And Clip | † 76-2802-3 |
| 11 Water Pump | † 76-2306-3 |
| 12 Water Trough | † 76-2748-3 |
| 13 Water Trough Support | † 43-0201-9 |
| 14 Hex Nut, White Nylon | † 54-2945-9 |
| 15 Molded Tube, White | 44-2096-3 |
| 16 Poly Tubing | 44-2029-1 |
| 17 Reducing Tee | 43-0057-3 |
| 18 Union Connector (White nylon) | 83-9005-3 |
| 19 Bracket to Mount Float Bracket | † 76-2140-3 |
| 20 Push-in Screw Up to SN 951162096 | † 50-1227-9 |
| 20a Receptacle After SN 951162096 | 56-5085-3 |
| 20b Wing-Head Stud After SN 951162096 | 56-5086-3 |
| 21 Bushing, .625" | † 25-0218-9 |
| 22 Bushing, .875" | † 25-0140-9 |
| 23 Bushing | † 25-0011-9 |
| 24 Compression Nut | † 56-5072-9 |
| 25 Cage Nut, #8-32 | † 54-2910-9 |
| 26 Screw, #10-24 x 5/8" | † 52-0207-9 |
| 27 Screw, #10-24 x 1/2" | † 52-0206-9 |
| 28 Screw (To mount dump valve) | † 52-0205-9 |
| 29 Thumbscrew, #8-32 x 1/2" | † 50-0001-3 |
| 30 Screw for Mounting Evaporator | † 52-0218-9 |
| 31 Water Trough Support Clip Assembly | † 76-2704-3 |
| 32 Evaporator Gasket/Top Molding Assembly (Not shown) | 76-2621-3 |

† Refer to Cross Reference Guide

B0200 COMMON PARTS



1353

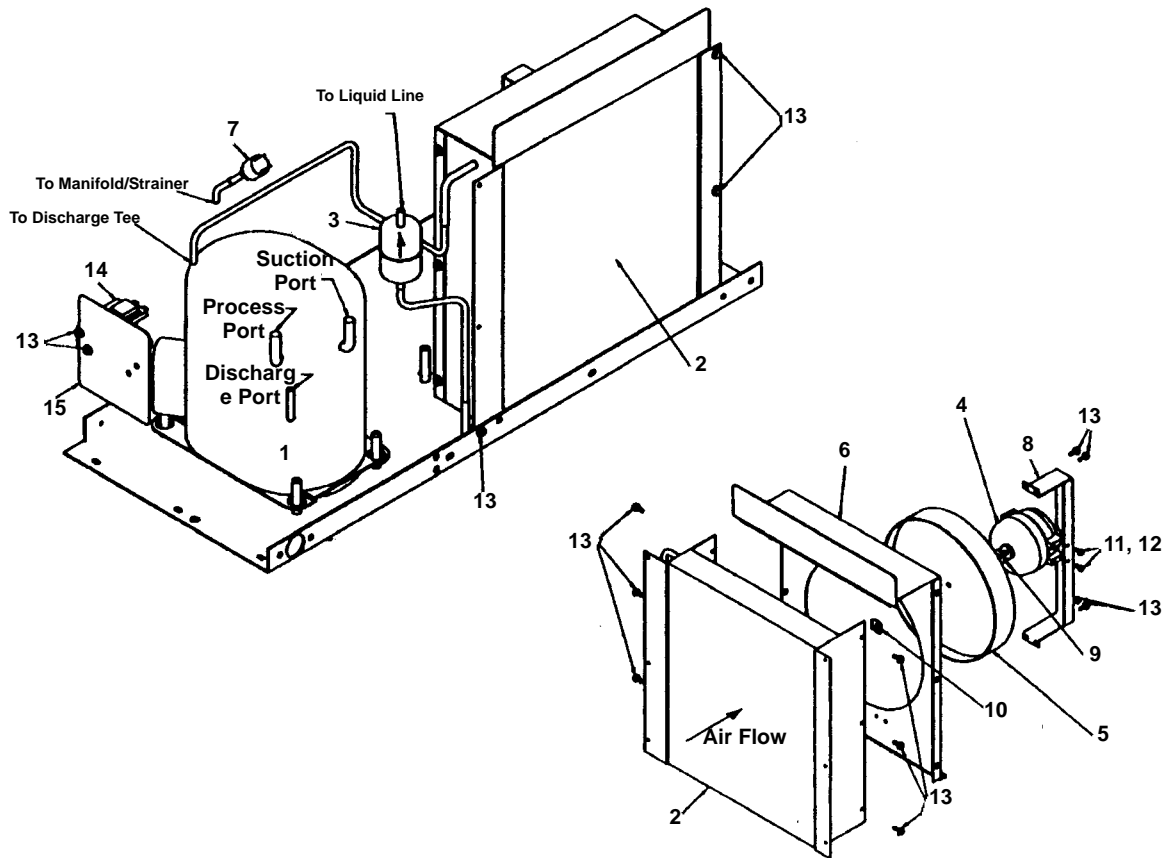
DESCRIPTION

| DESCRIPTION | PART NO. |
|--|---------------------|
| 1 Expansion Valve | † 76-2583-3 |
| 2 Hot Gas Solenoid* 115V 60 Hz (Danfoss) | † 76-3001-1 |
| 3 Manifold/Strainer | 83-1016-3 |
| 4 NTC Thermistor | 23-5116-3 |
| 5 Dump Valve, 115V* | 000001767 |
| 6 Water Pump Lead | † 20-7810-3 |
| 7 Adapter, Water Inlet | † 87-0609-3 |
| 8 Adapter, Water Outlet | 17-0602-1 |
| 9 Bracket for Solenoid Support | No Longer Available |
| 10 Bracket to Mount Water Dump Valve | 626031-4 |
| 11 Drain Tube | 11048-1 |
| 12 LH Corner Post Weldment | 600926-1 |
| 13 RH Corner Post Weldment | 600926-2 |
| 14 Neoprene Bulb Boot | 40-8027-3 |
| 15 Neoprene TXV Boot | 40-8026-3 |
| 16 Union | 13-6096-1 |
| 17 Vinyl Tube | † 44-2038-3 |
| 18 Plastic Clamp | † 56-5070-9 |
| 19 Hex Head Wormdrive Clamp | † 56-5052-9 |
| 20 Worm Gear Clamp | 56-5077-3 |
| 21 Rubber Grommet | † 85-0306-9 |
| 22 Sleeve | † 85-0394-9 |
| 23 Flatwasher 5/16 | † 55-7309-9 |
| 24 Lockwasher 3/8 Split | † 55-4514-9 |
| 25 Hex Locknut - Palnut | † 54-7503-9 |
| 26 Hex Nut 3/8-16 | † 54-3002-9 |
| 27 Screw, #10-24 x 1/2" | † 52-0206-9 |
| 28 Screw, #10-24 x 5/8" | † 52-0205-9 |

* See Page 8 for 230V Applications

† Refer to Cross Reference Guide

B0200 AIR-COOLED



1354

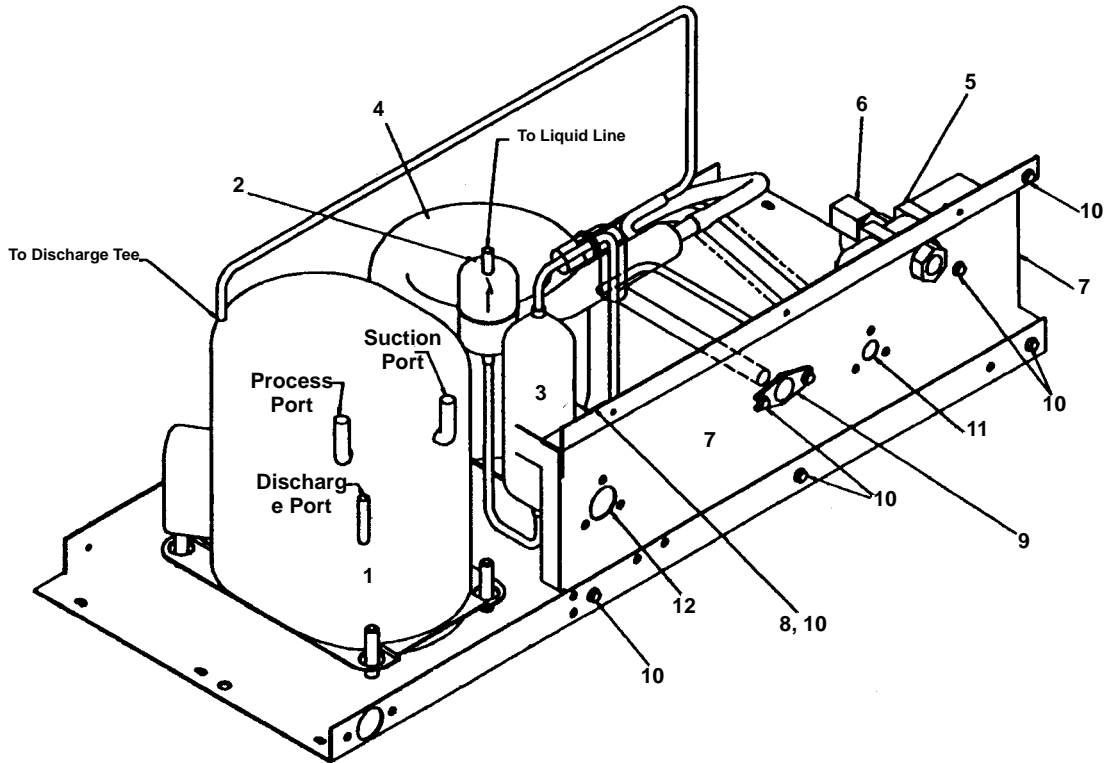
DESCRIPTION

| | DESCRIPTION | PART NO. |
|----|----------------------------------|-------------|
| 1 | Compressor Assembly, 115V 60 Hz* | † 76-2517-3 |
| 1a | Overload | † 85-0479-3 |
| 2 | Air Condenser | 88-5085-3 |
| 3 | Drier | † 89-3025-9 |
| 4 | Fan Motor* | † 24-1287-3 |
| 5 | Fan Blade | 24-1624-3 |
| 6 | Fan Shroud | 600944-1 |
| 7 | Fan Cycling Control | † 20-0126-3 |
| 8 | Bracket for Fan Motor | 600810-1 |
| 9 | Fiber Washer | † 55-7335-9 |
| 10 | Speed Nut | † 54-7507-9 |
| 11 | Flatwasher | † 55-0426-9 |
| 12 | Screw, #8-36 x 7/16" | † 50-2559-9 |
| 13 | Screw, #10-24 x 1/2" | † 52-0206-9 |
| 14 | Dump Valve, 115V | 000001767 |
| 15 | Shield for Water Dump Solenoid | † 70-0062-3 |

* See Page 8 for 230V Applications

† Refer to Cross Reference Guide

B0200 WATER-COOLED



1355

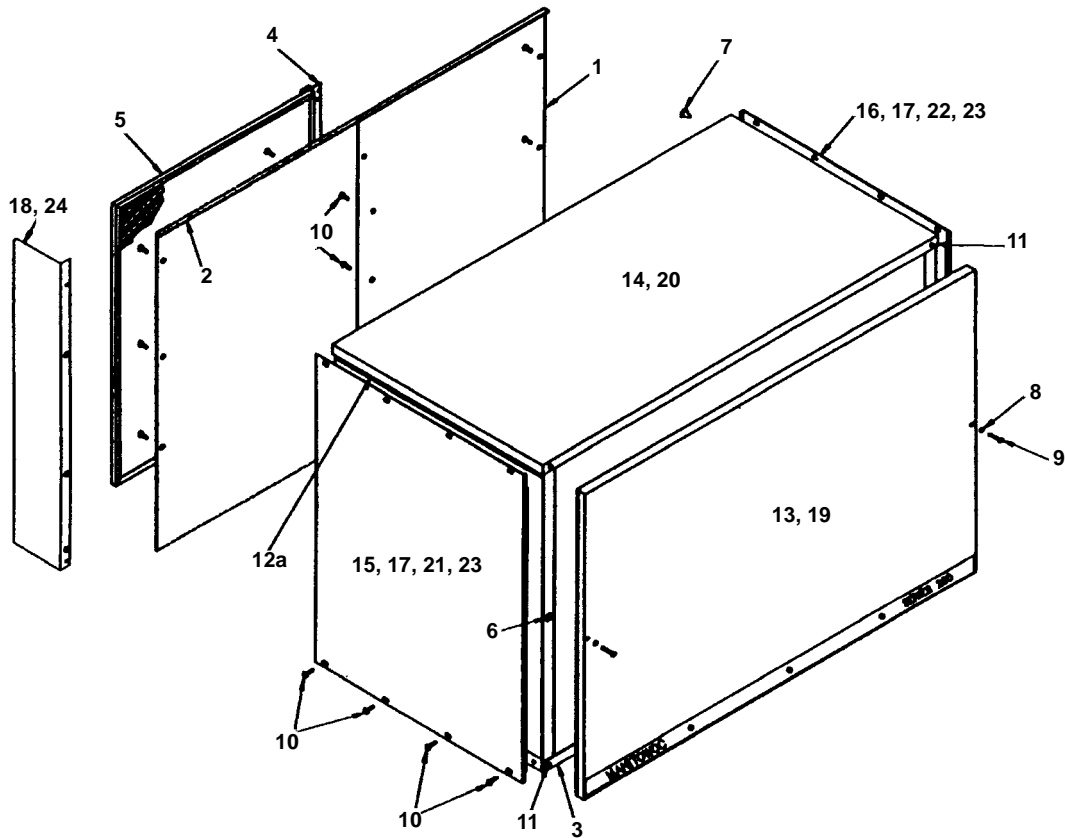
DESCRIPTION

| DESCRIPTION | PART NO. |
|------------------------------------|-------------|
| 1 Compressor Assembly, 115V 60 Hz* | † 76-2517-3 |
| 1a Overload | † 85-0479-3 |
| 2 Drier | † 89-3025-9 |
| 3 Receiver | 12-0003-1 |
| 4 Water Condenser | † 88-6531-3 |
| 5 Water Regulating Valve | † 83-7206-9 |
| 6 Elbow, 3/8 NPT x 1/2 | 83-0506-3 |
| 7 Coupling Mounting Panel | 600057-1 |
| 8 Receiver Strap | 600054-1 |
| 9 Adapter, Condenser Drain | 87-0612-3 |
| 10 Screw, #10-24 x 1/2" | † 52-0206-9 |
| 11 Hole Plug, Black .625" | 43-0264-3 |
| 12 Hole Plug, Black 1-1/16" | 43-0192-3 |

* See Page 8 for 230V Applications

† Refer to Cross Reference Guide

B0200 PANELS



1356

COMMON

| | PART NO. |
|--------------------------------------|-----------------|
| 1 Back Panel, Air-cooled | 600945-1 |
| 2 Back Panel, Water-cooled | 600946-1 |
| 3 Front Panel Support | † 658041-9 |
| 4 Bracket for Air Filter | † 76-2686-3 |
| 5 Air Filter | 40-4012-3 |
| 6 Cage Nut #8-32 | † 54-2910-9 |
| 7 Accordion Panel Clip | † 56-4820-9 |
| 8 "O" Ring | † 37-1819-9 |
| 8a Washer | 55-7338-3 |
| 9 Screw, #8-32 x 1.50" | † 50-2668-9 |
| 10 Screw, #10-24 x 1/2" | † 52-0206-9 |
| 11 Screw, #10-24 x 1/2" | † 52-0209-9 |
| 12 Washer, Flat | † 55-7338-9 |
| 12a Extruded Tape | † 92-0250-9 |

FAWN

| | |
|--|-----------|
| 13 Front Panel Assembly | 76-2277-3 |
| 14 Top Cover | 600068-1 |
| 15 LH Side Panel, Air-cooled | 600937-1 |
| 16 RH Side Panel, Air-cooled | 600938-1 |
| 17 RH-LH Panel, Water-cooled | 600939-1 |
| 18 Air Baffle | 600961-1 |

STAINLESS STEEL

| | |
|---|-----------|
| 19 Front Panel Assembly | 76-2278-3 |
| 20 Top Cover | 600068-3 |
| 21 Side Panel LH, Air-cooled | 600937-2 |
| 22 RH Side Panel, Air-cooled | 600938-2 |
| 23 RH & LH Side Panel, Water-cooled | 600939-2 |
| 24 Air Baffle | 600961-2 |

† Refer to Cross Reference Guide

B0200 ELECTRICAL APPLICATIONS

All parts are the same as 115V Model with the following exceptions:

230V/50 Hz

| | PART NO. |
|--|-----------------|
| Fuse for Control Board, 7 Amp | 25-1100-3 |
| Mini-fuse for Control Board, .1 Amp | 25-1105-3 |
| Compressor | † 76-2541-3 |
| Overload | 85-0470-3 |
| Start Relay | 85-0376-3 |
| Start Capacitor | 85-0372-3 |
| Contactactor | † 20-0659-9 |
| Dump Valve, 208/230V | 000001768 |
| Fan Motor | † 24-1288-3 |
| Water Pump | † 76-2601-3 |
| Terminal Block | 25-1103-3 |
| Hot Gas Solenoid Valve 208/230V 50/60 Hz (Danfoss) | † 76-3007-1 |

230V/60 Hz

| | |
|--|-------------|
| Fuse for Control Board, 7 Amp | 25-1100-3 |
| Mini-fuse for Control Board, .125 Amp | † 25-1116-9 |
| Compressor | † 76-2590-3 |
| Overload | 85-0469-3 |
| Start Relay | 85-0375-3 |
| Start Capacitor | 85-0372-3 |
| Contactactor | † 20-0659-9 |
| Dump Valve, 208/230V | 000001768 |
| Fan Motor | † 24-1288-3 |
| Water Pump | † 76-2601-3 |
| Hot Gas Solenoid Valve 208/230V 50/60 Hz (Danfoss) | † 76-3007-1 |

† Refer to Cross Reference Guide