



**Ice Machine Parts List for  
Series B0250 Models**

**BR0250A**

**BD0253W**

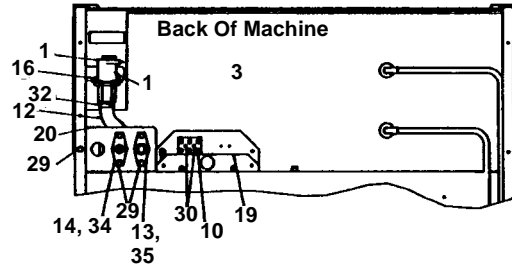
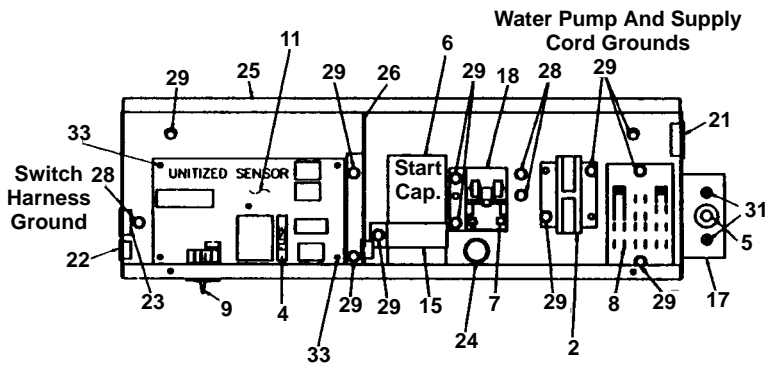
**BR0251W**

**BY0254A**

**BD0252A**

**BY0255W**

# B0250 CONTROLS



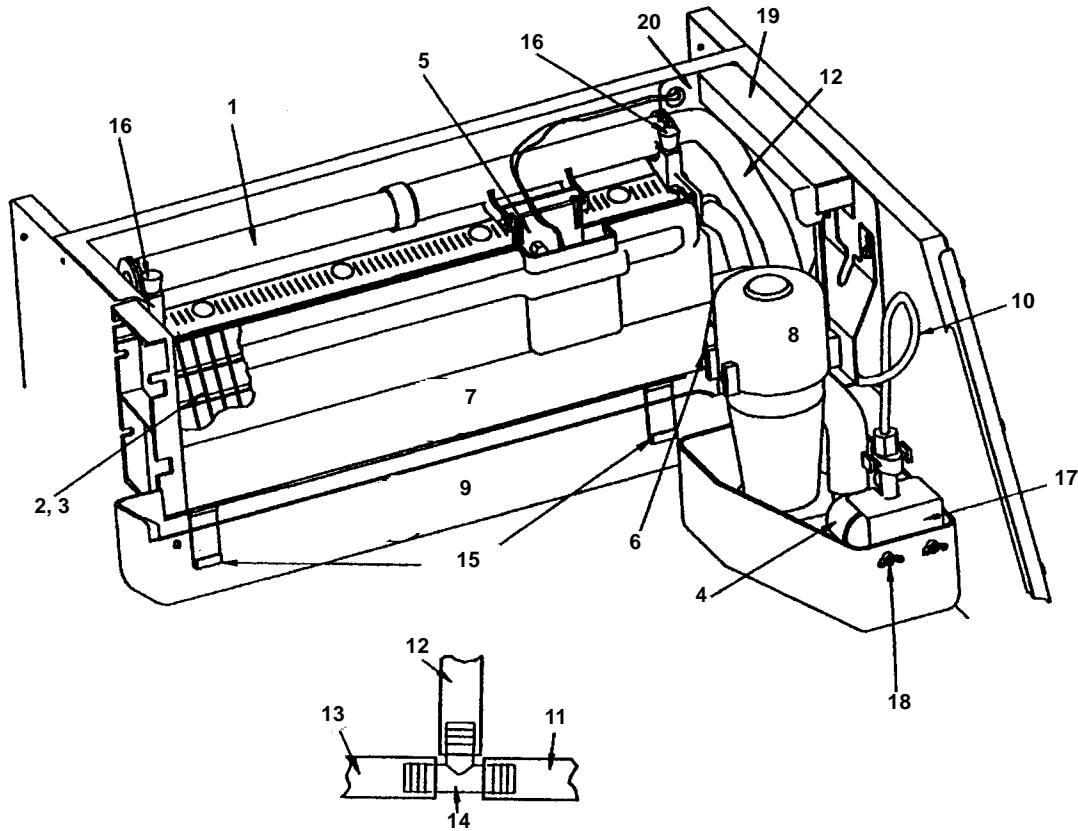
1361

## DESCRIPTION

		PART NO.
1	Dump Valve, 115V .....	000001767
2	Contactors, 120V .....	† 20-0658-9
3	Panel, Top Back .....	600823-1
4	Fuse for Control Board, 7 Amp .....	25-1100-3
4a	Mini-fuse for Control Board, .125 Amp .....	† 25-1116-9
5	High Pressure Cut-out .....	† 23-5536-9
6	Start Capacitor .....	85-0371-3
7	Start Relay .....	85-0374-3
8	Terminal Board With Wiring Harness .....	20-3150-3
9	Toggle Switch With Wiring Harness .....	† 20-3105-9
9a	Toggle Switch Only .....	23-0134-3
10	Terminal Block, 230V .....	25-1103-3
11	Control Board (For use with all voltages) .....	† 76-2800-3
12	Vinyl Tube, Molded .....	44-2100-3
13	Adapter, 1/2", Water Outlet .....	17-0602-1
14	Adapter, Water Inlet .....	† 87-0609-3
15	Bracket, Capacitor .....	600452-1
16	Bracket, Dump Valve .....	626031-4
17	Bracket, High Pressure Control .....	627701-4
18	Bracket, Relay Mounting .....	600492-1
19	Bracket, Terminal Block, 230V .....	600850-1
20	Bracket, Water Fittings .....	600762-1
21	Bushing, 1.187" .....	† 25-0001-9
22	Bushing, .625" .....	† 25-0016-9
23	Bushing, .625" .....	25-0218-3
24	Bushing, .875" .....	25-0140-1
25	Control Box .....	600732-1
26	Control Board Shield .....	600734-1
27	Control Box Cover .....	No Longer Available
28	Screw, #10-24 x 1/2" .....	52-0120-9
29	Screw, #10-24 x 1/2" .....	† 52-0206-9
30	Screw, #6 x 3/4" .....	† 51-2155-9
31	Screw, #8 x 3/4" .....	† 51-2166-9
32	Snap Ring .....	56-5070-3
33	Support .....	43-0225-3
34	Union (Plastic) .....	13-6096-1
35	Snap Ring .....	† 56-5060-9

† Refer to Cross Reference Guide

# B0250 EVAPORATOR



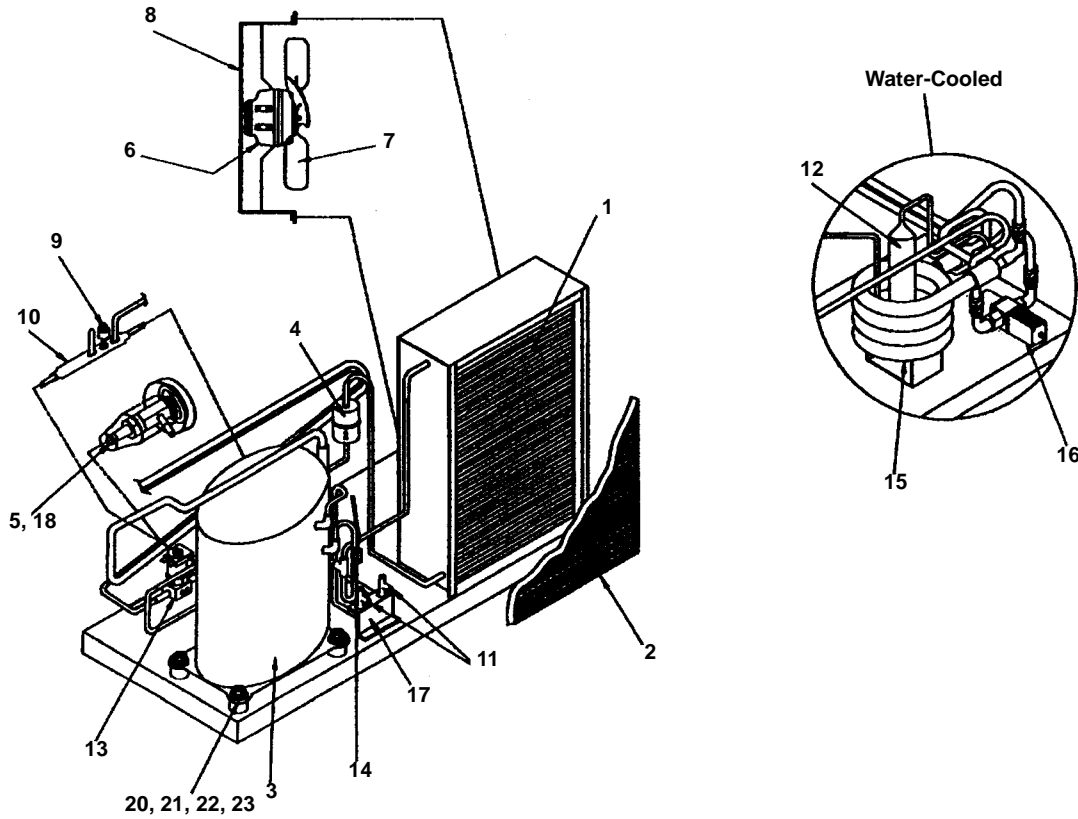
1362

## DESCRIPTION

	<b>PART NO.</b>
1 Distribution Tube Assembly . . . . .	† 76-2498-3
2 Evaporator, Regular Cube . . . . .	† 76-2585-9
3 Evaporator, Dice Cube . . . . .	† 76-2584-9
3a Evaporator, Half Dice . . . . .	† 76-2658-9
4 Float Valve Assembly . . . . .	† 83-6904-9
5 Ice Thickness Control . . . . .	† 76-2781-3
6 Magnetic Bin Switch . . . . .	† 23-0148-3
7 Water Curtain . . . . .	40-0478-3
7a Water Curtain Hanger . . . . .	76-2776-3
7b Water Curtain Magnet And Clip . . . . .	† 76-2802-3
8 Water Pump . . . . .	† 76-2306-3
9 Water Trough . . . . .	† 76-2648-3
10 Water Inlet Tubing . . . . .	44-2029-1
11 Vinyl Tube to Dump Valve . . . . .	† 44-2038-3
12 Molded Discharge Tube . . . . .	44-2096-3
13 Molded Reducer Elbow . . . . .	† 44-2101-3
14 Barbed Tee . . . . .	83-9103-3
15 Clip - Water Trough (Plastic) . . . . .	44-0870-3
15a Bracket For Water Trough (Metal) . . . . .	601107-1
16 Thumbscrew . . . . .	† 50-0001-3
17 Bracket for Float Valve . . . . .	000000136
18 Wing Nuts . . . . .	† 54-8913-9
19 Channel, Pump Cord . . . . .	600796-1
20 Shield, Liner . . . . .	600797-1
21 Evaporator Gasket/Top Molding Assembly (Not shown) . . . . .	76-2621-3

† Refer to Cross Reference Guide

## B0250 COMPRESSOR COMPARTMENT



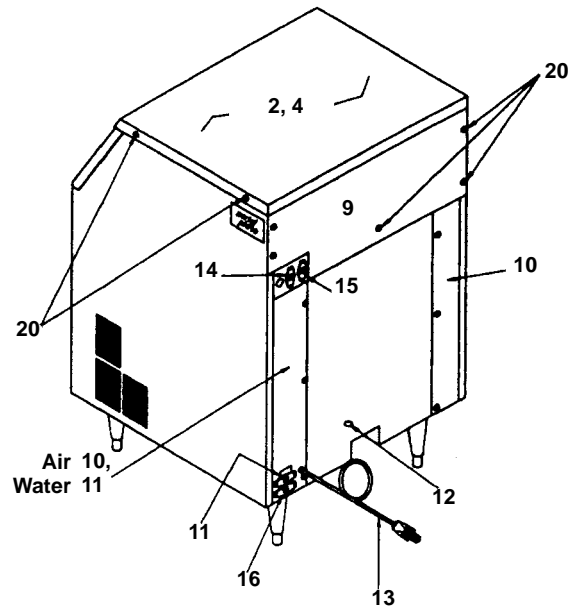
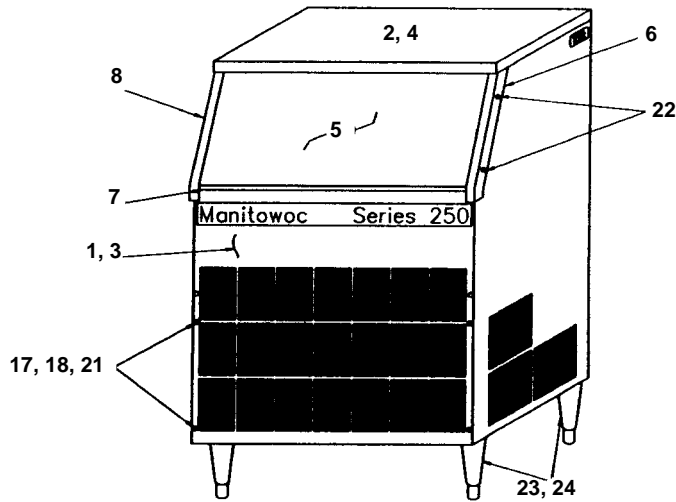
1363

### DESCRIPTION

DESCRIPTION	PART NO.
1 Air Condenser.....	88-5093-3
2 Air EZK Filter.....	40-4010-3
3 Compressor, 115V.....	† 76-2517-3
3a Compressor Overload.....	† 85-0479-3
4 Drier.....	† 89-3025-9
5 Expansion Valve.....	† 76-2583-3
6 Fan Motor.....	† 24-1281-3
7 Fan Blade.....	24-1622-3
8 Fan Motor Bracket.....	688781-4
9 Fan Cycling Control.....	† 20-0126-3
10 Manifold Strainer.....	83-1016-3
11 Process Valve.....	† 83-7310-9
12 Receiver.....	12-0003-1
13 Solenoid Valve 115V 60 Hz (Danfoss).....	† 76-3001-1
14 Thermistor.....	23-5116-3
15 Water Condenser.....	† 88-6531-3
16 Water Regulating Valve.....	83-7210-3
17 Bracket for Valve Mounting.....	600819-1
18 Neoprene TXV Boot.....	40-8026-3
19 Neoprene Bulb Boot.....	40-8027-3
20 Rubber Grommet.....	† 85-0306-9
21 Sleeve.....	† 85-0394-9
22 Flatwasher.....	† 55-7309-9
23 Hex Nut.....	† 54-3002-9

† Refer to Cross Reference Guide

## B0250 PANELS



1364

### FAWN

	PART NO.
1 Front Panel Assembly .....	76-2581-3
2 Top Cover .....	600709-1

### STAINLESS STEEL

3 Front Panel Assembly .....	76-2582-3
4 Top Cover .....	600709-2

### COMMON

5 Bin Door .....	45-0010-3
6 RH Door Glide .....	43-0255-3
7 Trim, Door Opening .....	600735-1
8 LH Door Glide .....	43-0254-3
9 Top Back Panel, Air .....	600823-1
9a Back Panel .....	600710-1
10 Cover, Channel .....	600761-1
11 Cover, Water Fittings .....	600822-1
12 Bin Drain Seal .....	76-2322-3
13 Power Cord .....	20-3067-3
14 Water Inlet Adapter .....	† 87-0609-3
15 Water Outlet Adapter .....	17-0602-1
16 Water Condenser Adapter .....	87-0610-3
17 Screw, #8-32 x 1/2" Phil. ....	† 50-2624-9
18 Cagenut for Front Panel Screw .....	† 54-2910-9
19 Screw, #8-15 x .50" .....	† 51-2164-9
20 Screw, #10-24 x 1/2" .....	† 52-0206-9
21 Washer, Flat Nylon .....	† 55-7338-9
22 Screw, #10-24 x .50" .....	† 52-0209-9
23 Legs - for Fawn Machine .....	33-0249-4
24 Legs - Stainless Steel Machine .....	33-0251-3

† Refer to Cross Reference Guide

## B0250 ELECTRICAL APPLICATIONS

All parts are the same as 115V Model with the following exceptions:

<b>230V/60 Hz</b>	<b>PART NO.</b>
Compressor . . . . .	† 76-2590-3
Start Capacitor . . . . .	85-0372-3
Start Relay . . . . .	85-0375-3
Overload . . . . .	85-0469-3
Dump Valve, 208/230V . . . . .	000001768
Solenoid Valve 208/230V 50/60 Hz (Danfoss) . . . . .	† 76-3007-1
Contactors . . . . .	† 20-0659-9
Fan Motor . . . . .	† 24-1282-3
Fuse for Control Board, 7 Amp . . . . .	25-1100-3
Mini-fuse for Control Board, .125 Amp . . . . .	† 25-1116-9
Terminal Block . . . . .	25-1103-3
Water Pump . . . . .	† 76-2601-3
 <b>230V/50 Hz</b>	
Compressor . . . . .	† 76-2541-3
Start Capacitor . . . . .	85-0372-3
Start Relay . . . . .	85-0376-3
Overload . . . . .	85-0470-3
Dump Valve, 208/230V . . . . .	000001768
Solenoid Valve 208/230V 50/60 Hz (Danfoss) . . . . .	† 76-3007-1
Contactors . . . . .	† 20-0659-9
Fan Motor . . . . .	† 24-1282-3
Water Pump . . . . .	† 76-2601-3
Hex Nipple .75 x .75 . . . . .	87-0037-3
Hex Nipple .75 x .38 . . . . .	87-0039-3
Fuse for Control Board, 7 Amp . . . . .	25-1100-3
Mini-fuse for Control Board, .1 Amp . . . . .	25-1105-3

---

† Refer to Cross Reference Guide