



**Ice Machine Parts List for
Series B0320 Models**

BR0320A

BD0323W

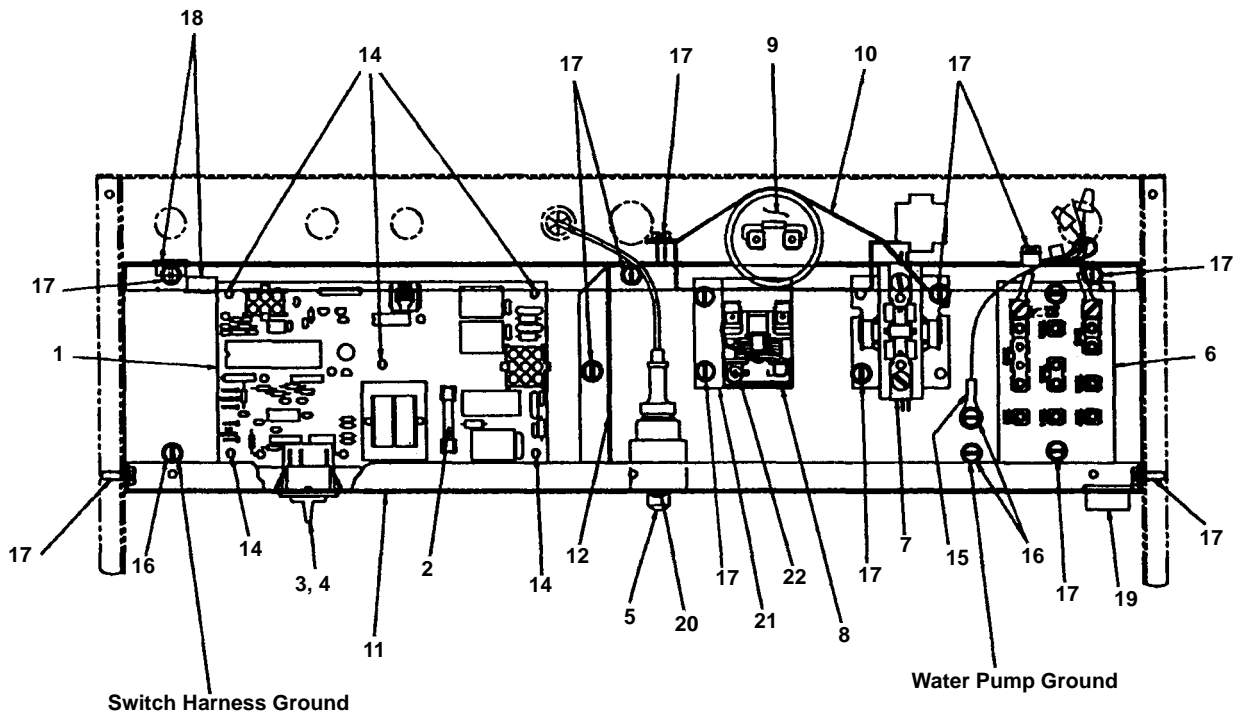
BR0321W

BY0324A

BD0322A

BY0325W

B0320 CONTROL BOX



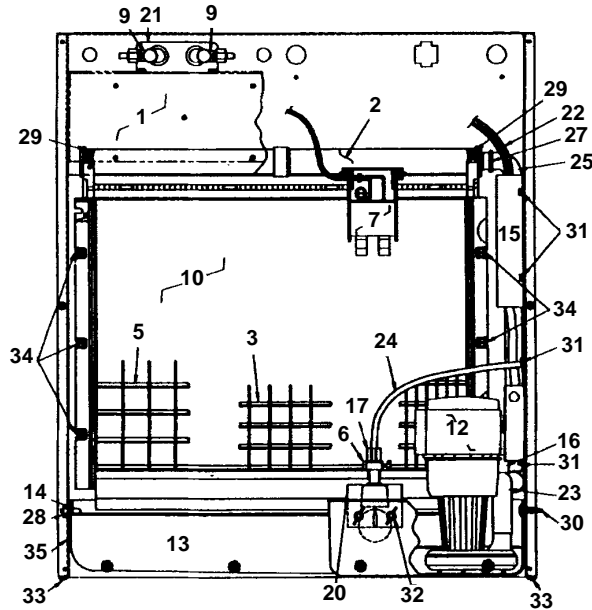
1261

DESCRIPTION

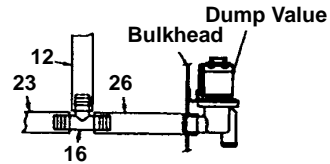
		PART NO.
1	Control Board (For use with all voltages)	† 76-2800-3
2	Fuse, 7 Amp	25-1100-3
a.	Mini-fuse, .125 amp	† 25-1116-9
3	Toggle Switch Only	23-0134-3
4	Toggle Switch With Wiring Harness	† 20-3105-9
5	High Pressure Cut-out	† 23-5536-9
6	Terminal Board With Harness	20-3130-3
7	Contactor	† 20-0658-9
8	Start Relay	85-0374-3
9	Start Capacitor	85-0371-3
10	Capacitor Bracket	600452-1
11	Control Box	† 601425-1
12	Control Board Cover	600180-1
13	Control Box Cover With Labels (Not shown)	† 76-2539-3
14	Support for Control Board	43-0225-3
15	Ground Lead	20-7742-3
16	Screw, #10-24 x .50 Ground	† 52-0216-9
17	Screw, #10-24 x .50 Hex Head	† 52-0206-9
18	Bushing - .625"	† 25-0016-9
19	Bushing - .875"	† 25-0140-9
20	Screw, #8 x .75 Serrated	† 51-2166-9
21	Relay Mounting Bracket	600492-1
22	Screw #8-32 x .25 Phil	† 50-2672-9

† Refer to Cross Reference Guide

B0320 EVAPORATOR COMPARTMENT



Switch Bracket Detail



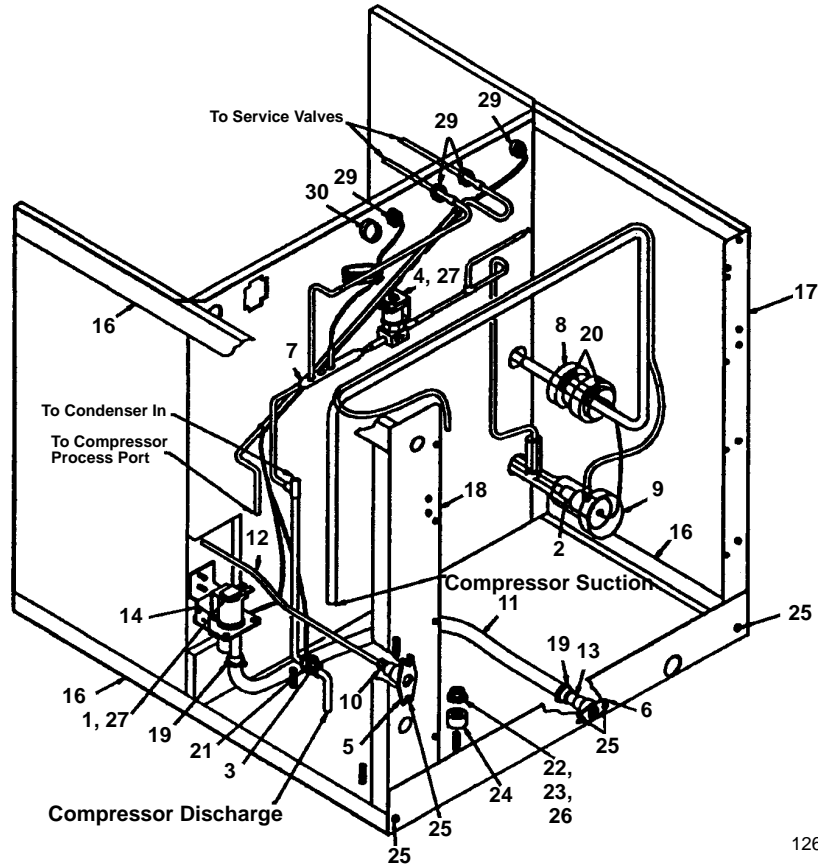
1262

DESCRIPTION

DESCRIPTION	PART NO.
1 Control Box Cover	† 76-2539-3
2 Distribution Tube Assembly	† 76-2498-3
3 Evaporator Assembly, Dice Cube	† 76-2519-9
4 Evaporator Assembly, Half Dice Cube	† 76-2518-9
5 Evaporator Assembly, Regular Cube	† 76-2520-9
6 Float Valve Complete Assembly	† 83-6904-9
7 Ice Thickness Control	† 76-2781-3
8 Magnetic Switch With Housing	† 23-0148-3
9 Process Valve With Stem	† 83-7310-9
10 Water Curtain Assembly	† 40-0477-3
a. Water Curtain Hanger	76-2776-3
b. Water Curtain Magnet and Clip	† 76-2802-3
11 Water Flow Clamp Regular Cube Only	76-2054-3
12 Water Pump, 115V 60 Hz	† 76-2306-3
13 Water Trough	600245-1
14 Water Trough Support Pin	† 43-0201-9
15 Pump Cord Channel	† 601410-1
16 Barbed Tee	83-9103-3
17 Compression Nut	† 56-5072-9
18 Float Valve Screen Only (Not shown)	† 83-6906-9
19 Float Valve Plunger Only (Not shown)	† 83-6908-9
20 Mounting Bracket for Float Valve	00000136
21 Service Valve Bracket	600166-1
22 Water Pump Lead	† 20-7810-3
23 Tubing, Vinyl .625 ID (Pump to tee)	† 44-2101-3
24 Tubing, Vinyl .25 OD (Incoming fresh water)	44-2029-1
25 Tubing, Vinyl .625 ID With Elbow	† 44-2102-3
26 Tubing, Vinyl .625 ID (Tee to dump valve)	† 44-2038-3
27 Hose Clamp	† 56-5070-9
28 Hex Nut, Nylon	† 54-2945-9
29 Screw, Nylon, Thumb #8-32 x .63	† 50-0001-3
30 Screw, Push-In Thumbscrew	† 50-1227-9
31 Screw, #10-24 x .50	† 52-0206-9
32 Wing Nut #8-32	† 54-8913-9
33 Screw, # 10-24 x .625	† 52-0207-9
34 Screw to Mount Evaporator	† 52-0218-9
35 Splash Shield	† 76-2624-3
36 Evaporator Gasket/Top Molding Assembly (Not shown)	76-2621-3

† Refer to Cross Reference Guide

B0320 COMMON COMPRESSOR COMPARTMENT PARTS



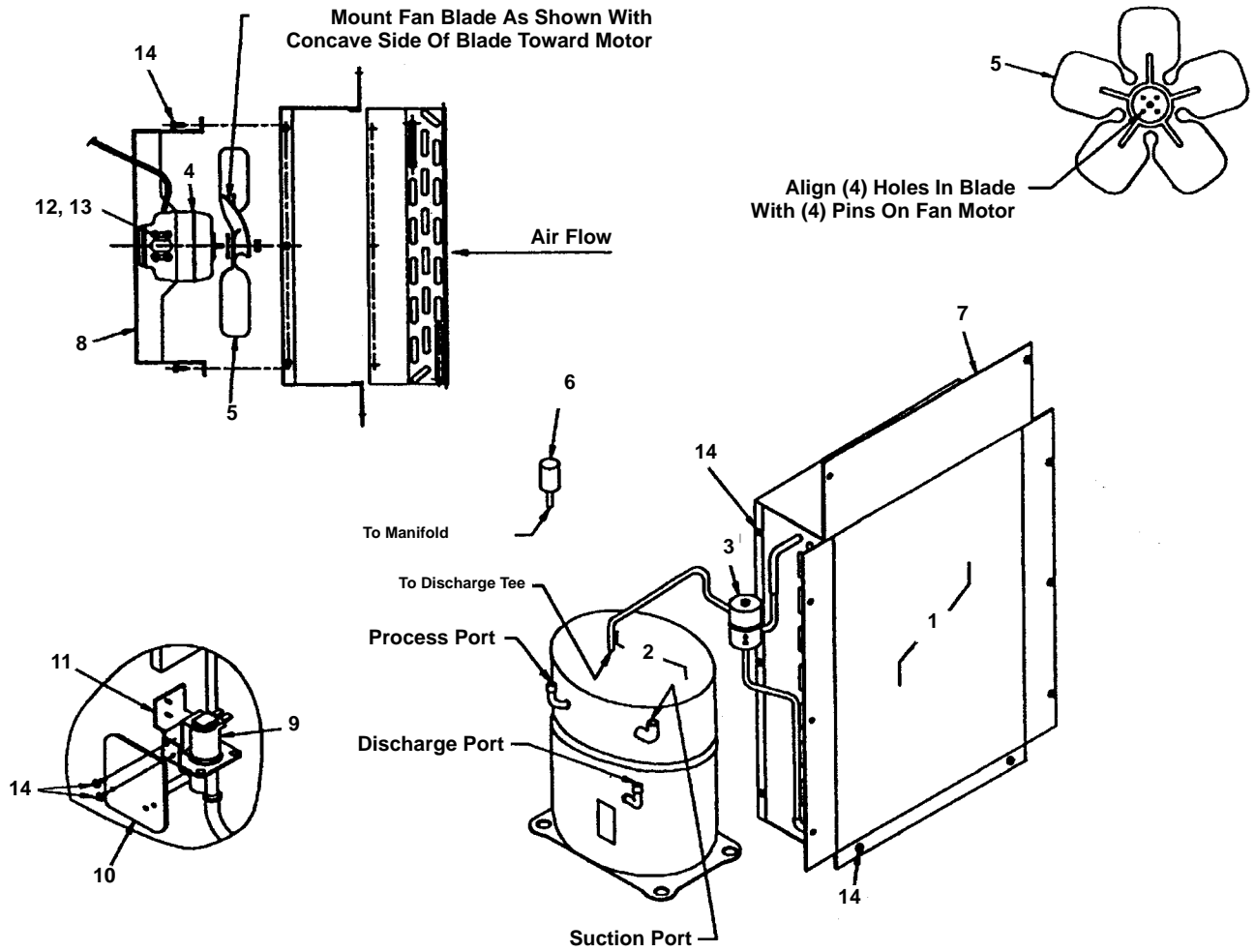
1263

DESCRIPTION

DESCRIPTION	PART NO.
1 Dump Valve, 115V	00001767
2 Expansion Valve	† 76-2508-3
3 NTC Thermistor	23-5116-3
4 Solenoid Valve 115V 60 Hz (Danfoss)	† 76-3001-1
5 Adapter, Water Inlet	† 87-0609-3
6 Water Outlet Adapter	17-0602-1
7 Manifold Strainer	83-1016-3
8 Neoprene Bulb Boot	40-0720-3
9 Neoprene TXV Boot	40-0721-3
10 Union, Water Inlet	13-6096-1
11 Vinyl Tube, .625 ID (White preformed)	44-2084-3
12 Vinyl Tube, .25 OD (Incoming fresh water)	44-2029-1
13 Tube, Copper Drain	11048-1
14 Dump Valve Mounting Bracket	600261-1
15 Dump Valve Shield (Air only)	† 70-0062-3
16 Side Frame Angle	† 601424-1
17 LH Corner Post Weldment	600327-2
18 RH Corner Post Weldment	600327-1
19 Clamp, Plastic Drain	† 56-5070-9
20 Clamp, Worm Drive Hex Head	† 56-5052-9
21 Clamp, Worm Gear	56-5077-3
22 Flatwasher .312"	† 55-7309-9
23 Nut Hex .375"	† 54-3002-9
24 Rubber Grommet	† 85-0306-9
25 Screw, #10-24 x .05	† 52-0206-9
26 Sleeve	† 85-0394-9
27 Alco Coil Only	24-0436-3
28 Danfoss Coil Only	000002048
29 Bushing, .625 ID	† 25-0016-9
30 Bushing, .875 ID	† 25-0140-9

† Refer to Cross Reference Guide

B0320 AIR-COOLED



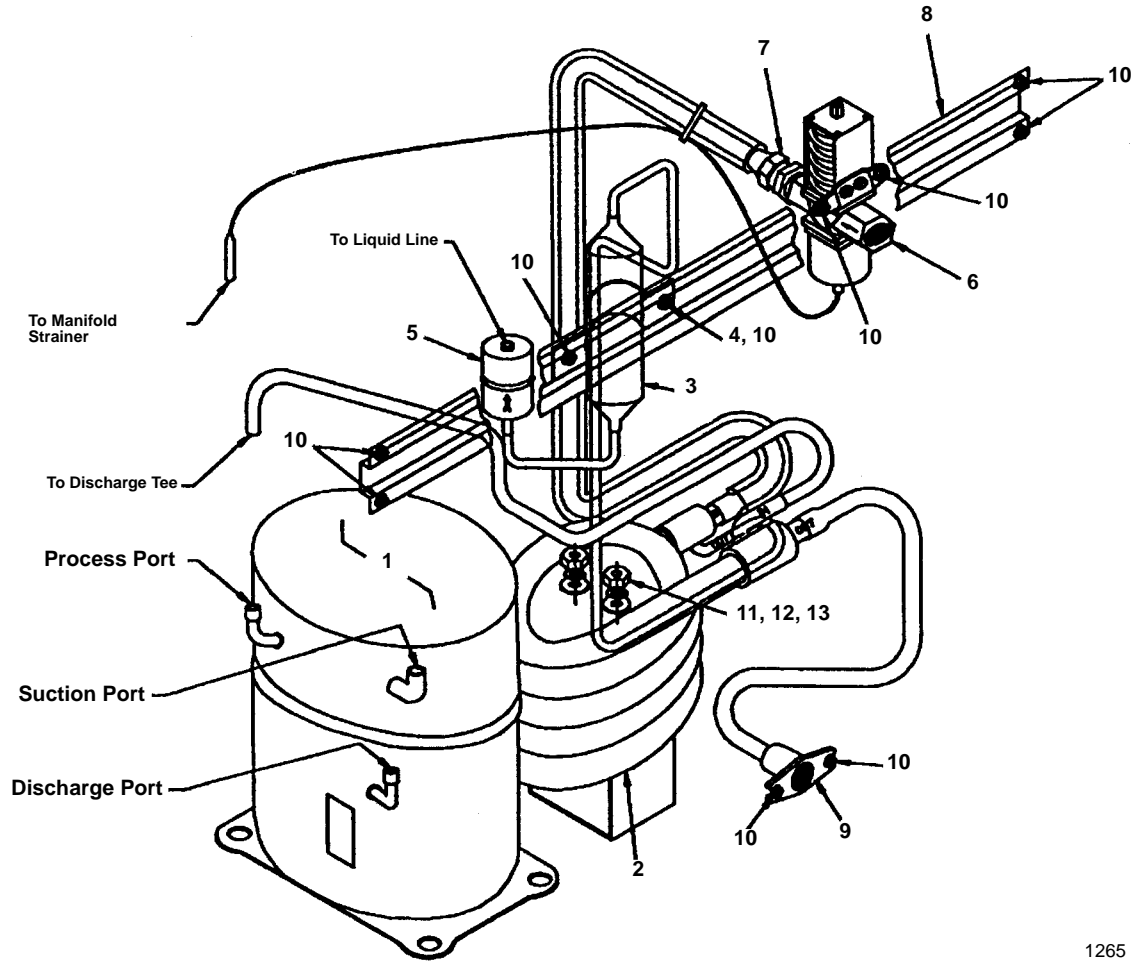
1264

DESCRIPTION

	PART NO.
1 Air Condenser.....	88-5085-3
2 Compressor Assembly, 115V/60 Hz.....	† 76-2517-3
a. Overload Protector.....	† 85-0479-3
3 Drier.....	† 89-3025-9
4 Fan Motor.....	† 24-1281-3
5 Fan Blade.....	24-1622-3
6 Fan Cycling Control.....	† 20-0126-3
7 Fan Shroud.....	600324-1
8 Fan Motor Mount.....	688781-4
9 Dump Valve 115V.....	000001767
10 Water Solenoid Shield.....	† 70-0062-3
11 Bracket for Dump Valve.....	600261-1
12 Flatwasher.....	† 55-0426-9
13 Screw, #8-36 x .44.....	† 50-2559-9
14 Screw, #10-24 x .50.....	† 52-0206-9
15 Air Filter (Not shown).....	40-4006-3
16 Air Filter Bracket (Not shown).....	† 76-2686-3

† Refer to Cross Reference Guide

B0320 WATER-COOLED



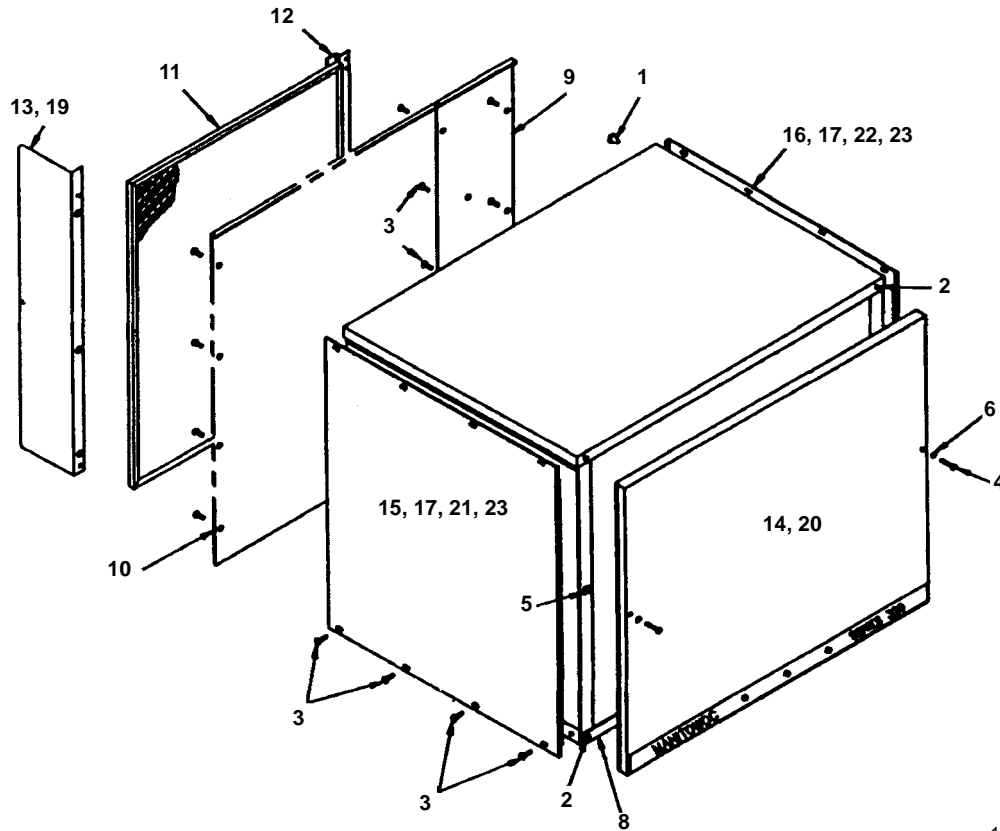
1265

DESCRIPTION

	PART NO.
1 Compressor, 115V/60 Hz	† 76-2517-3
a. Overload Protector	85-0468-3
2 Water Condenser	88-6519-7
3 Receiver	12-0003-1
4 Receiver Strap	600189-1
5 Drier	† 89-3025-9
6 Water Regulating Valve	† 83-7206-9
7 Coupling	83-3203-3
8 Bracket - Receiver/Valve Mounting	600179-1
9 Female Wing Adapter, Condenser Drain	87-0612-3
10 Screw, #10-24 x .50	† 52-0206-9
11 Flatwasher .312	† 55-7309-9
12 Lockwasher .38 Split	† 55-4514-9
13 Nut .375 Hex	† 54-3002-9

† Refer to Cross Reference GuideS

B0320 PANELS



1266

COMMON

	PART NO.
1 Canoe Clip Fastener	† 56-4820-9
2 Screw, #10-24 x .50 Flat	† 52-0209-9
3 Screw, #10-24 x .50 Hex	† 52-0206-9
4 Screw, #8-32 x 1.25	† 50-2668-9
5 Threaded Insert	† 57-6865-9
6 "O" Ring	† 37-1819-9
7 Extruded Tape Gasket	† 92-0250-9
8 Front Support	† 00000164
9 Back Panel, Air	600328-1
10 Back Panel, Water	No Longer Available
11 Air Filter	40-4006-3
12 Filter Bracket	† 76-2686-3

FAWN

13 Air Baffle	600220-1
14 Front Panel Assembly	76-2521-3
15 LH Side Panel, Air	600394-1
16 RH Side Panel, Air	600396-1
17 Side Panel, Water	600398-1
18 Top Cover	600193-1

STAINLESS STEEL

19 Air Baffle	600220-3
20 Front Panel Assembly	76-2522-3
21 LH Side Panel, Air	600394-3
22 RH Side Panel, Air	600396-3
23 Side Panel, Water	600398-3
24 Top Cover	600193-3

† Refer to Cross Reference Guide

B0320 ELECTRICAL APPLICATIONS

All parts are the same as 115V Model with the following exceptions:

230V/50 Hz

	PART NO.
Compressor	† 76-2541-3
Overload	85-0470-3
Start Relay	85-0376-3
Start Capacitor	85-0372-3
Contactors	† 20-0659-9
Fan Motor	† 24-1282-3
Solenoid Valve 208/230V 50/60 Hz (Danfoss)	† 76-3007-1
Dump Valve, 208/230V	000001768
Water Pump	† 76-2601-3
Hex Nipple .75 x .50	87-0038-3
Hex Nipple .75 x .38	87-0039-3
.1 Amp Mini-fuse On Control Board	25-1105-3
7 Amp Fuse On Control Board	25-1100-3

230V/60 Hz

	PART NO.
Compressor	† 76-2590-3
Overload	85-0469-3
Start Capacitor	85-0372-3
Start Relay	85-0375-3
Water Pump	† 76-2601-3
Dump Valve, 208/230V	000001768
Solenoid Valve 208/230V 50/60 Hz (Danfoss)	† 76-3007-1
Fan Motor	† 24-1282-3
Contactors	† 20-0659-9