



**Ice Machine Parts List for
Series B0420 Models**

BR0420A

BD0423W

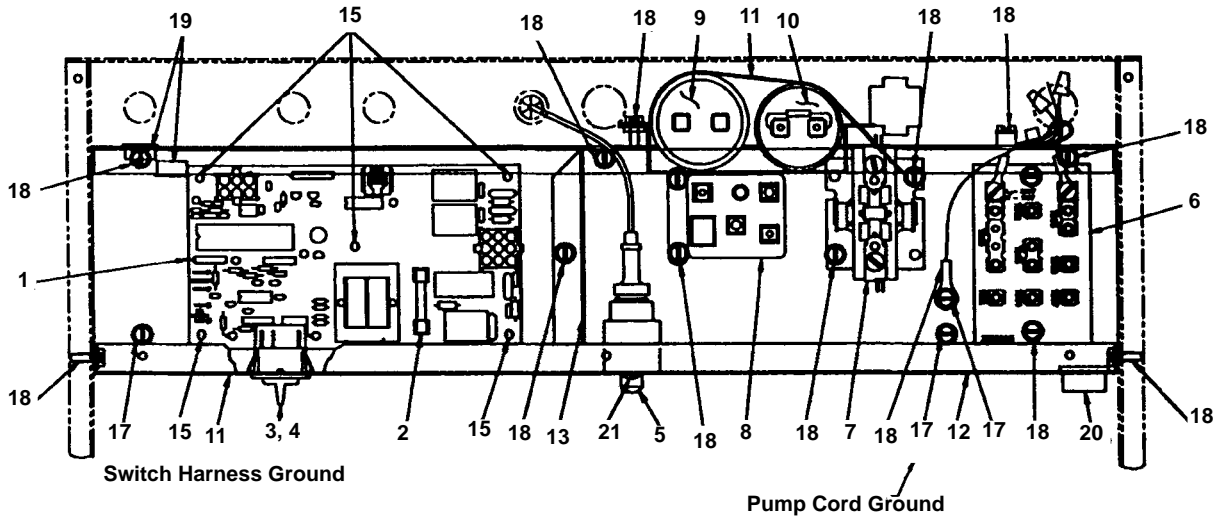
BR0421W

BY0424A

BD0422A

BY0425W

B0420 CONTROL BOX

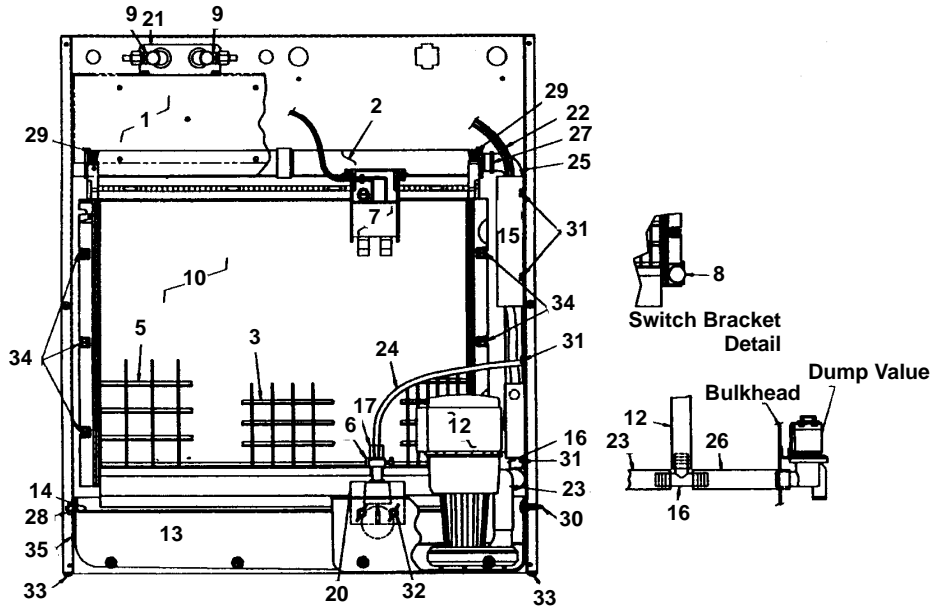


DESCRIPTION

DESCRIPTION	PART NO.
1 Control Board (For use with all voltages)	† 76-2800-3
2 Fuse, 7 Amp	25-1100-3
a. Mini-fuse, .125 Amp	† 25-1116-9
3 Toggle Switch Only	23-0134-3
4 Toggle Switch With Wiring Harness	† 20-3105-9
5 High Pressure Cut-out	† 23-5536-9
6 Terminal Board With Harness	20-3109-3
7 Contactor	† 20-0658-9
8 Start Relay	20-0799-3
9 Run Capacitor	† 85-0342-3
10 Start Capacitor	85-0372-3
11 Capacitor Bracket	600452-1
12 Control Box	601919-1
13 Control Board Cover	600180-1
14 Control Box Cover With Labels (Not shown)	† 76-2539-3
15 Support for Control Board	43-0225-3
16 Ground Lead	20-7742-3
17 Screw, #10-24 x .50 Ground	† 52-0216-9
18 Screw, #10-24 x .50 Hex Head	† 52-0206-9
19 Bushing - .625"	† 25-0016-9
20 Bushing - .875"	† 25-0140-9
21 Screw, #8 x .75 Serrated	† 51-2166-9

† Refer to Cross Reference Guide

B0420 EVAPORATOR COMPARTMENT



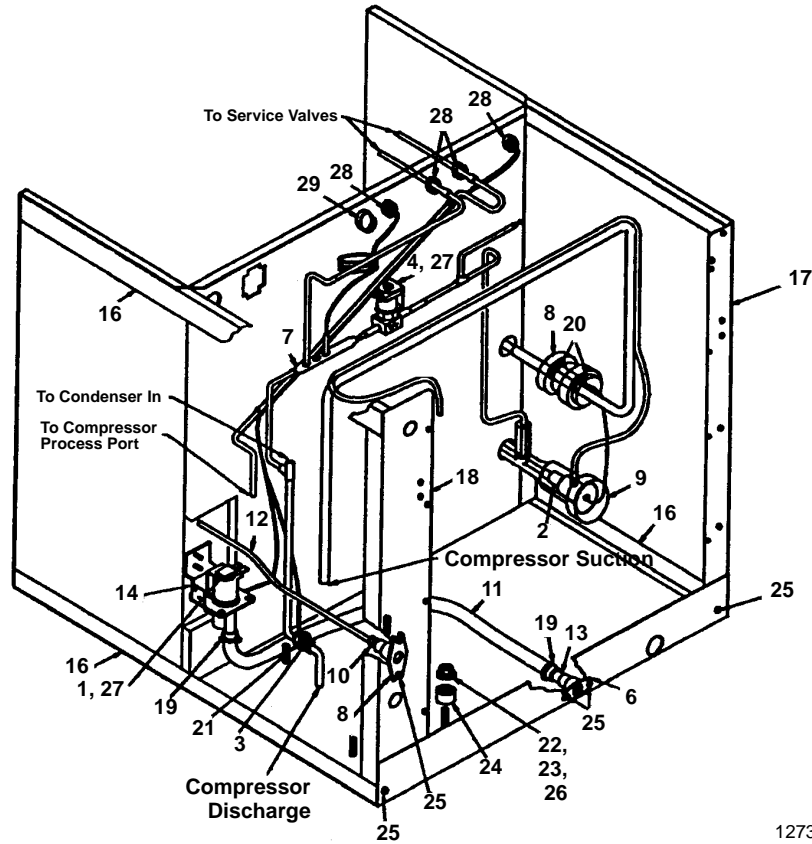
1272

DESCRIPTION

	PART NO.
1 Control Box Cover	† 76-2539-3
2 Distribution Tube Assembly	† 76-2498-3
3 Evaporator Assembly, Dice Cube	† 76-2511-9
4 Evaporator Assembly, Half Dice Cube	† 76-2510-9
5 Evaporator Assembly, Regular Cube	† 76-2512-9
6 Float Valve Complete Assembly	† 83-6904-9
7 Ice Thickness Control	† 76-2781-3
8 Magnetic Switch With Housing	† 23-0148-3
9 Process Valve With Stem	† 83-7310-9
10 Water Curtain Assembly	† 43-0464-3
a. Water Curtain Hanger	76-2776-3
b. Water Curtain Magnet and Clip	† 76-2802-3
11 Water Flow Clamp (Regular cube only)	76-2054-3
12 Water Pump, 115V 60 Hz	† 76-2306-3
13 Water Trough	600245-1
14 Water Trough Support Pin	† 43-0201-9
15 Pump Cord Channel	† 601433-1
16 Barbed Tee	83-9103-3
17 Compression Nut	† 56-5072-9
18 Float Valve Screen Only	† 83-6906-9
19 Float Valve Plunger Only	† 83-6908-9
20 Mounting Bracket for Float Valve	000000136
21 Service Valve Bracket	600166-1
22 Water Pump Lead	† 20-7810-3
23 Tubing, Vinyl .625 ID (Pump to tee)	† 44-2101-3
24 Tubing, Vinyl .25 OD (Incoming fresh water)	44-2029-1
25 Tubing, Vinyl .625 ID With Elbow	† 44-2105-3
26 Tubing, Vinyl .625 ID (Tee to dump valve)	† 44-2038-3
27 Hose Clamp	† 56-5070-9
28 Hex Nut, Nylon	† 54-2945-9
29 Screw, Nylon, Thumb #8-32 x .63	† 50-0001-3
30 Screw, Push-in Thumbscrew	† 50-1227-9
31 Screw, #10-24 x .50	† 52-0206-9
32 Wing Nut #8-32	† 54-8913-9
33 Screw, #10-24 x .625	† 52-0207-9
34 Screw to Mount Evaporator	† 52-0218-9
35 Splash Shield	† 76-2624-3
36 Evaporator Gasket/Top Molding Assembly (Not shown)	76-2621-3

† Refer to Cross Reference Guide

B0420 COMMON COMPRESSOR COMPARTMENT PARTS



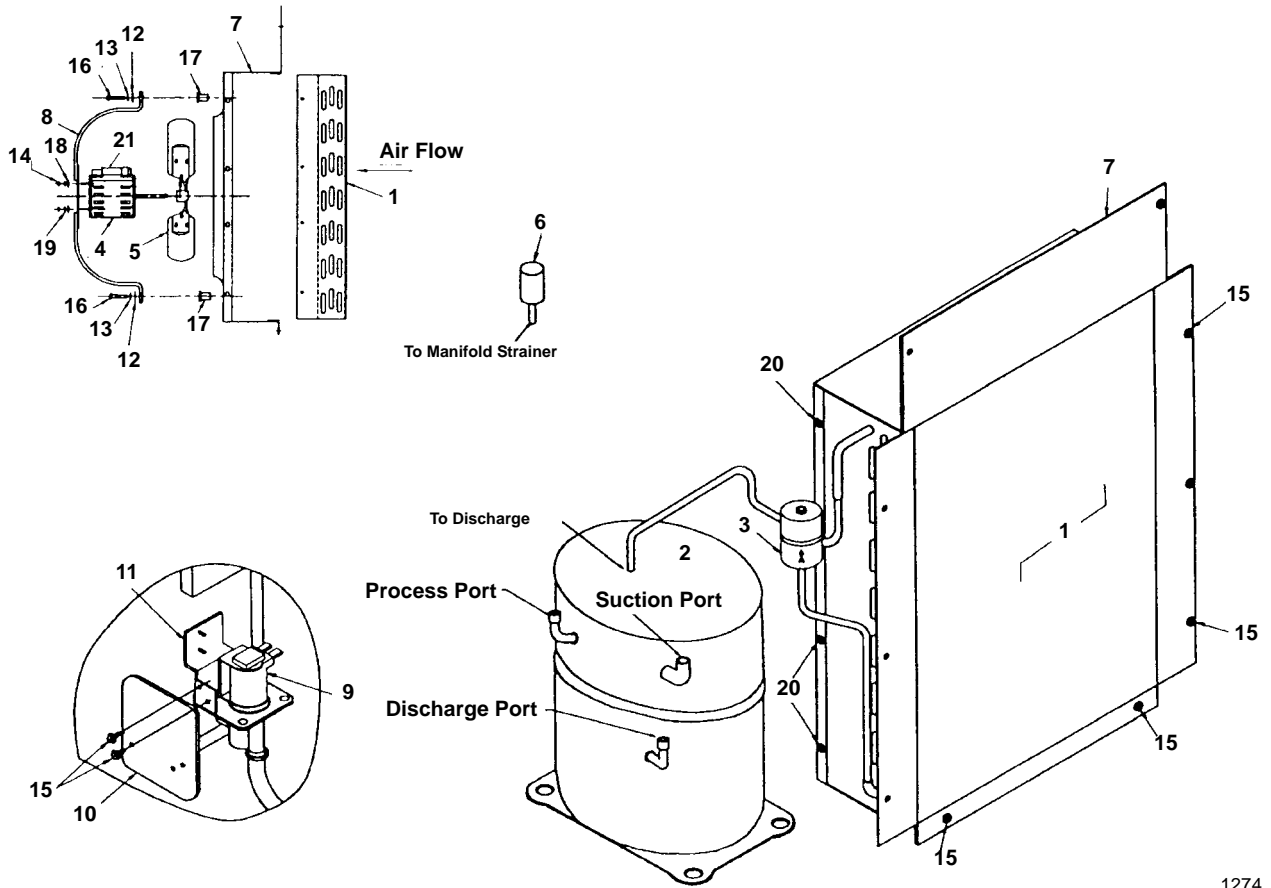
1273

DESCRIPTION

DESCRIPTION	PART NO.
1 Dump Valve, 115V	00001767
2 Expansion Valve	† 76-2508-3
3 NTC Thermistor	23-5116-3
4 Solenoid Valve 115V 60 Hz (Danfoss)	† 76-3001-1
5 Adapter, Water Inlet	† 87-0609-3
6 Water Outlet Adapter	17-0602-1
7 Manifold Strainer	83-1016-3
8 Neoprene Bulb Boot	40-0720-3
9 Neoprene TXV Boot	40-0721-3
10 Union, Water Inlet	13-6096-1
11 Vinyl Tube, .625 ID (White preformed)	44-2084-3
12 Vinyl Tube, .25 OD (incoming fresh water)	44-2029-1
13 Tube, Copper Drain	11048-1
14 Dump Valve Mounting Bracket	600261-1
15 Dump Valve Shield (Air only)	† 70-0062-3
16 Side Frame Angle	† 601424-1
17 LH Corner Post Weldment	600199-2
18 RH Corner Post Weldment	600199-1
19 Clamp, Plastic Drain	† 56-5070-9
20 Clamp, Worm Drive Hex Head	† 56-5052-9
21 Clamp, Worm Gear	56-5077-3
22 Sleeve	† 85-0394-9
23 Nut - Hex .375	† 54-3002-9
24 Rubber Grommet	† 85-0306-9
25 Screw, #10-24 x .05	† 52-0206-9
26 Washer, Flat .312	† 55-7309-9
27 Danfoss Coil Only	00002048
27 Alco Coil Only	24-0436-3
28 Bushing, .625 ID	† 25-0016-9
29 Bushing, .875 ID	† 25-0140-9

† Refer to Cross Reference Guide

B0420 AIR-COOLED



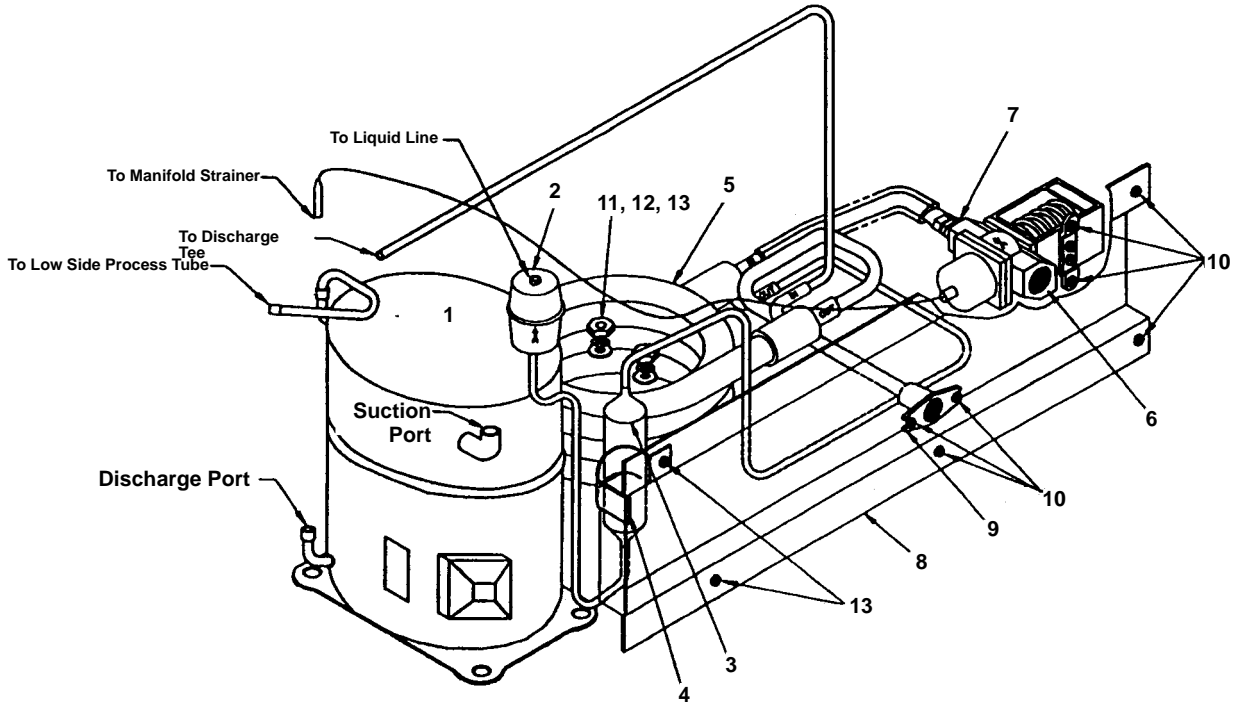
1274

DESCRIPTION

	DESCRIPTION	PART NO.
1	Air Condenser	88-5061-3
2	Compressor Assembly, 115V/60 Hz	† 76-2810-3
	a. Overload Protector for Tecumseh AK9458J	85-0429-3
	b. Overload Protector for Tecumseh AK170AT-039-A4D	85-0555-3
3	Drier	† 89-3025-9
4	Fan Motor	† 24-1292-9
5	Fan Blade	24-1620-3
6	Fan Cycling Control	† 20-0126-3
7	Fan Shroud	600169-1
8	Wire Motor Mount	34-0662-3
9	Dump Valve 115V	000001767
10	Water Solenoid Shield	† 70-0062-3
11	Bracket for Dump Valve	600261-1
12	Flatwasher .25	† 55-7305-9
13	Lockwasher .25 Split	† 55-4510-9
14	Nut .25-20	† 54-2906-9
15	Screw, #10-24 x .50	† 52-0206-9
16	Screw, 1/4 x 1.75	† 50-3358-9
17	Well Nut .25-20	† 54-2955-9
18	Flatwasher	† 55-0426-9
19	Lockwasher #8	† 55-4459-9
20	Screw, #10-24 x .625	† 52-0205-9
21	Capacitor for Fan Motor	85-0458-3
22	Air Filter (Not shown)	40-4002-3
23	Air Filter Bracket (Not shown)	† 76-2686-3

† Refer to Cross Reference Guide

B0420 WATER-COOLED



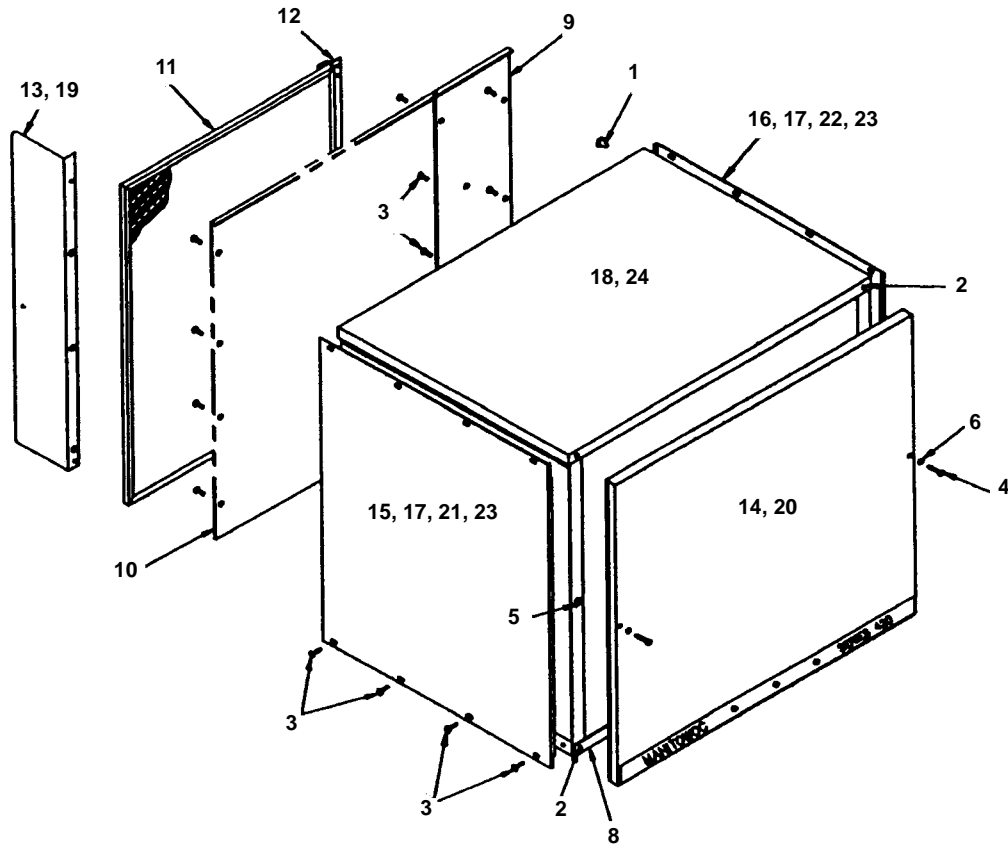
1275

DESCRIPTION

	DESCRIPTION	PART NO.
1	Compressor 115V/60 Hz	† 76-2810-3
	a. Overload Protector for Tecumseh AK9458J	85-0429-3
	b. Overload Protector for Tecumseh AK170AT-039-A4D	85-0555-3
2	Drier	† 89-3025-9
3	Receiver	12-0003-1
4	Receiver Strap	600189-1
5	Water Condenser	† 88-6532-3
6	Water Regulating Valve	† 83-7206-9
7	Coupling	83-3203-3
8	Bracket - Receiver Valve Mounting	600179-1
9	Female Wing Adapter, Condenser Drain	87-0612-3
10	Screw, #10-24 x .50	† 52-0206-9
11	Flatwasher .312	† 55-7309-9
12	Lockwasher .38 Split	† 55-4514-9
13	Nut - .375 Hex	† 54-3002-9

† Refer to Cross Reference Guide

B0420 PANELS



1276

COMMON

	PART NO.
1 Canoe Clip Fastener	† 56-4820-9
2 Screw, #10-24 x .50 Flat	† 52-0209-9
3 Screw, #10-24 x .50 Hex	† 52-0206-9
4 Screw, #8-32 x 1.25	† 50-2668-9
5 Threaded Insert	57-6865-3
6 "O" Ring	† 37-1819-9
7 Extruded Tape Gasket	† 92-0250-9
8 Front Support	† 000000164
9 Back Panel, Air	600170-1
10 Back Panel, Water	600178-1
11 Air Filter	40-4002-3
12 Filter Bracket	† 76-2686-3

FAWN

13 Air Baffle	600222-1
14 Front Panel Assembly	† 76-2523-3
15 LH Side Panel, Air	600155-1
16 RH Side Panel, Air	600156-1
17 Side Panel, Water	600157-1
18 Top Cover	600193-1

STAINLESS STEEL

19 Air Baffle	600222-3
20 Front Panel Assembly	76-2524-3
21 LH Side Panel, Air	600155-3
22 RH Side Panel, Air	600156-3
23 Side Panel, Water	600157-3
24 Top Cover	600193-3

† Refer to Cross Reference Guide

B420 ELECTRICAL APPLICATIONS

All parts are the same as 115V Model with the following exceptions:

230V/50/1

	PART NO.
Compressor 230/50/1	† 76-2811-3
Overload Protector for Tecumseh AK9458J	85-0430-3
Overload Protector for Tecumseh AK170JT-039-A4D	85-0557-3
Start Relay	85-0448-3
Run Capacitor	85-0400-3
Start Capacitor	85-0372-3
Contactors	† 20-0659-9
Water Pump	† 76-2601-3
Fan Motor	† 24-1293-9
Dump Valve, 208/230V	000001768
Solenoid Valve 208/230V 50/60 Hz (Danfoss)	† 76-3007-1
.1 Amp Mini-fuse On Control Board	25-1105-3
7 Amp Fuse On Control Board	25-1100-3

208V-230V/60/1

	PART NO.
Compressor Assembly	† 76-2812-3
Overload Protector for Tecumseh AK9458J	85-0431-3
Overload Protector for Tecumseh AK170ET-039-A4D	85-0556-3
Start Relay	85-0455-3
Run Capacitor	85-0400-3
Start Capacitor	85-0372-3
Water Pump Assembly	† 76-2601-3
Solenoid Valve 208/230V 50/60 Hz (Danfoss)	† 76-3007-1
Dump Valve, 208/230V	000001768
Fan Motor	† 24-1293-9
Contactors	† 20-0659-9
.1 Amp Mini-fuse On Control Board	25-1105-3
7 Amp Fuse On Control Board	25-1100-3

† Refer to Cross Reference Guide