



Ice Machine Parts List for Series B0800 Models

BR0800A

BD0892N

BR0801W

BY0804A

BR0890N

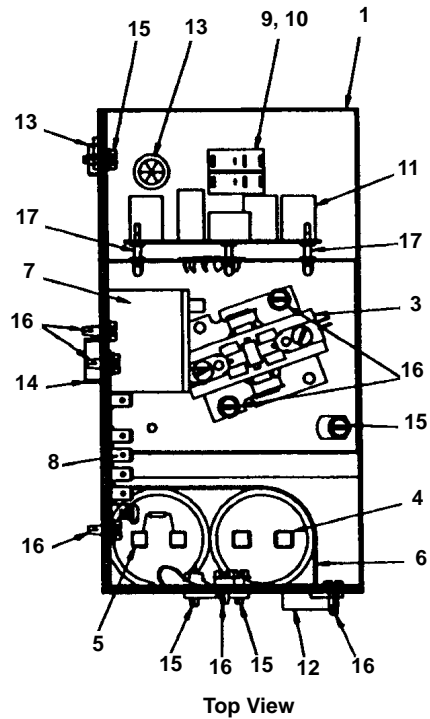
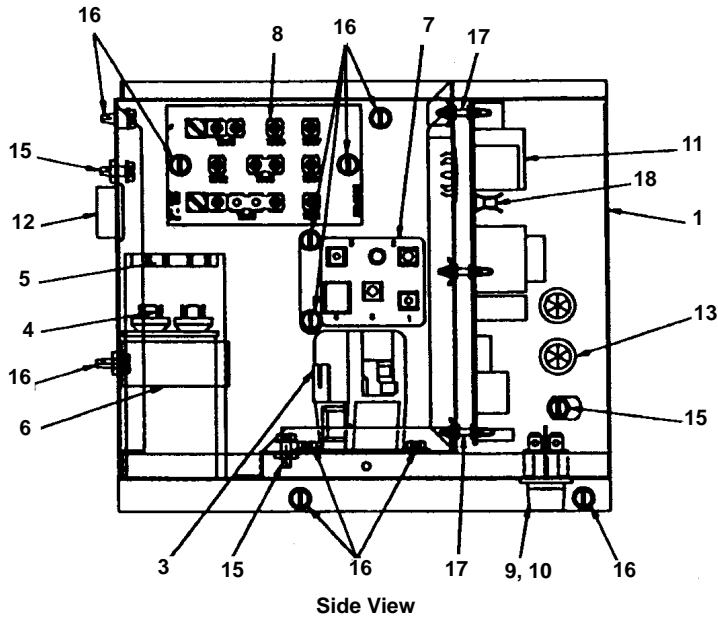
BY0805W

BD0802A

BY0894N

BD0803W

B0800 CONTROL BOX



1301

DESCRIPTION

DESCRIPTION	PART NO.
1 Control Box	† 601284-1
2 Control Box Cover With Labels (Not shown)	† 76-2507-3
3 Contactor For 1 Phase Unit	† 20-0659-9
3 Contactor For 3 Phase Unit	† 20-0116-3
4 Run Capacitor For Bristol*	85-0439-3
4 Run Capacitor For Tecumseh	† 20-1013-3
5 Start Capacitor For Bristol*	85-0314-3
5 Start Capacitor For Tecumseh	85-0551-3
6 Capacitor Bracket	600452-1
7 Start Relay For Bristol*	85-0425-3
7 Start Relay For Tecumseh	20-0757-9
8 Terminal Board w/Harness	20-3100-3
9 Toggle Switch Only	23-0134-3
10 Toggle Switch With Wiring Harness	† 20-3105-9
11 Control Board (For use with all voltages)	† 76-2800-3
12 Bushing - 1.187"	† 25-0001-9
13 Bushing - .625"	† 25-0016-9
14 Bushing - .875"	† 25-0140-9
15 Screw, #10-24 x .50 Ground	† 52-0216-9
16 Screw, #10-24 x .50 Hex Head	† 52-0206-9
17 Support for Control Board	43-0225-3
18 Fuse, 7 Amp	25-1100-3
19 Mini-fuse, .125 Amp*	† 25-1116-9

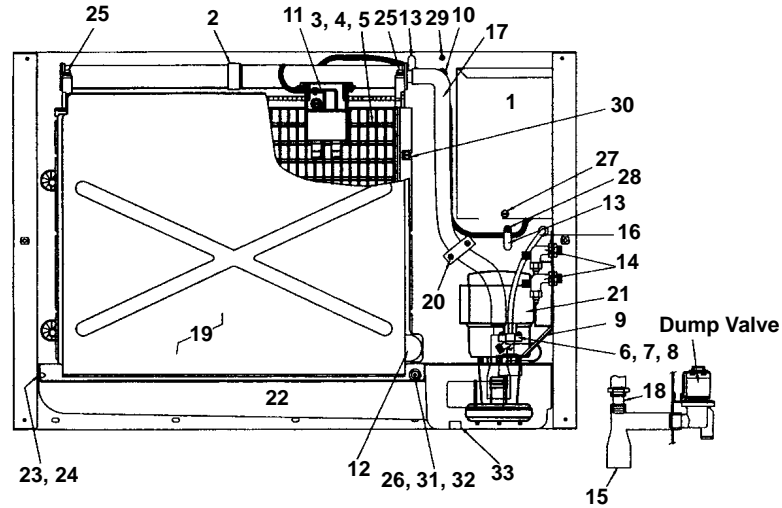
*Prior to SN 920660000 units were built with Bristol compressor M52B123BBCB. Those units require the following components:

Run Capacitor	† 85-0341-3
Start Relay	85-0417-3
Start Capacitor	85-0370-3

*See Page 9 for 50 Hz Applications

† Refer to Cross Reference Guide

B0800 EVAPORATOR COMPARTMENT



1302

DESCRIPTION

	PART NO.
1 Control Box Cover	† 76-2507-3
2 Distribution Tube Assembly*	† 76-2498-3
3 Evaporator Assembly, Dice Cube**	† 76-2472-9
4 Evaporator Assembly, Half Dice Cube**	† 76-2471-9
5 Evaporator Assembly, Regular Cube**	† 76-2473-9
6 Float Valve Complete Assembly	83-6913-3
7 Float Valve Screen	† 83-6906-9
8 Float Valve Plunger	† 83-6908-9
9 Float Valve Mounting Bracket	† 76-2140-3
10 High Pressure Cut-out - HP81	† 23-5536-9
a. High Pressure Cut-out - R22.	† 23-5533-9
11 Ice Thickness Control.	† 76-2781-3
12 Magnetic Switch w/Housing	† 23-0148-3
13 Nylon Spring Clip	56-5069-3
14 Process Valve w/Stem	† 83-7310-9
15 Reducing Tee, Rubber	43-0057-3
16 Tubing, Vinyl .25 OD	44-2029-1
17 Tubing, Vinyl .625 ID w/Elbow	44-2084-3
18 Union Connector, White Nylon	83-9005-3
19 Water Curtain Assembly*	40-0851-3
a. Water Curtain Hanger	76-2776-3
b. Water Curtain Magnet and Clip	† 76-2802-3
20 Water Flow Clamp, Regular Cube Only	76-2054-3
21 Water Pump, 230V 60 Hz	† 76-2601-3
22 Water Trough	† 76-2748-3
23 Water Trough Support Pin	† 43-0201-9
24 Hex Nut, Nylon	† 54-2945-9
25 Screw, Nylon, Thumb #8-32 x .63	† 53-0509-9
26 Screw, Push-in (Mounting Trough) Up To SN 950861350	† 50-1227-9
27 Screw, #10-24 x .50	† 52-0206-9
28 Screw, #10-24 x .625	† 52-0205-9
29 Screw, #8 x .75.	† 51-2166-9
30 Screw to Mount Evaporator	† 52-0218-9
31 Stud-Wing Head (Mounting Trough) After SN 950861350	56-5086-3
32 Receptacle After SN 950861350	56-5085-3
33 Water Trough Support Clip Assembly	† 76-2704-3
34 Evaporator Gasket/Top Molding Assembly (Not shown)	76-2621-3

*Some early units were built with stainless steel evaporator mounting brackets and require the following parts:

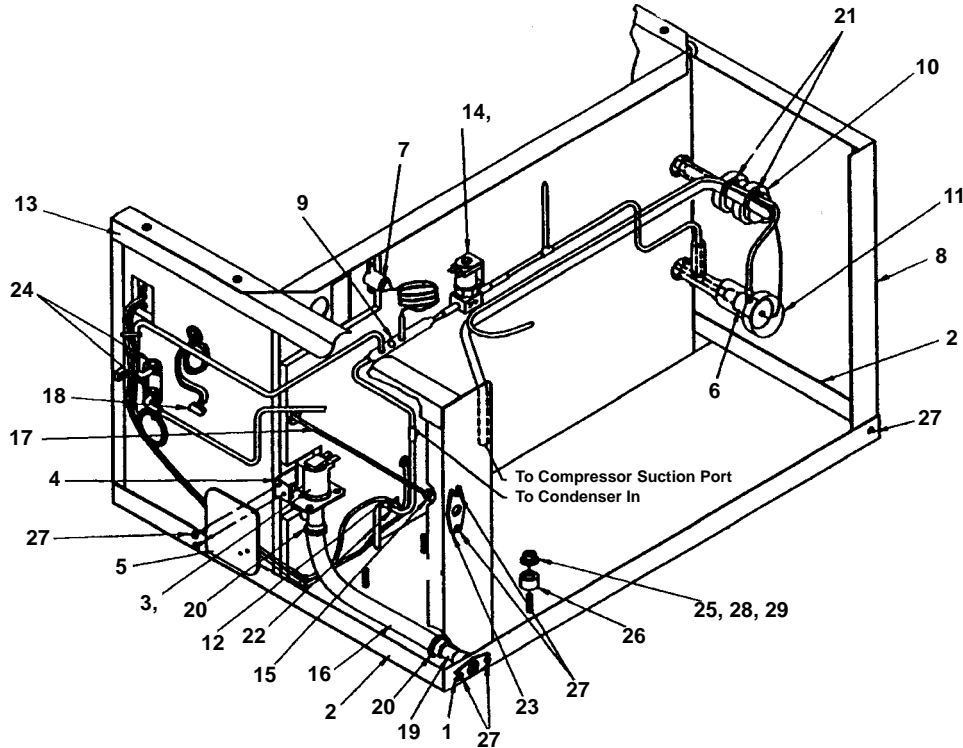
Water Curtain	No Longer Available
Distribution Tube	76-2153-3

**When replacing original evaporator (built with stainless steel mounting brackets) also order:

Water Curtain	600244-1
Distribution Tube	† 76-2498-3
Magnetic Switch	† 23-0148-3

† Refer to Cross Reference Guide

B0800 COMMON PARTS



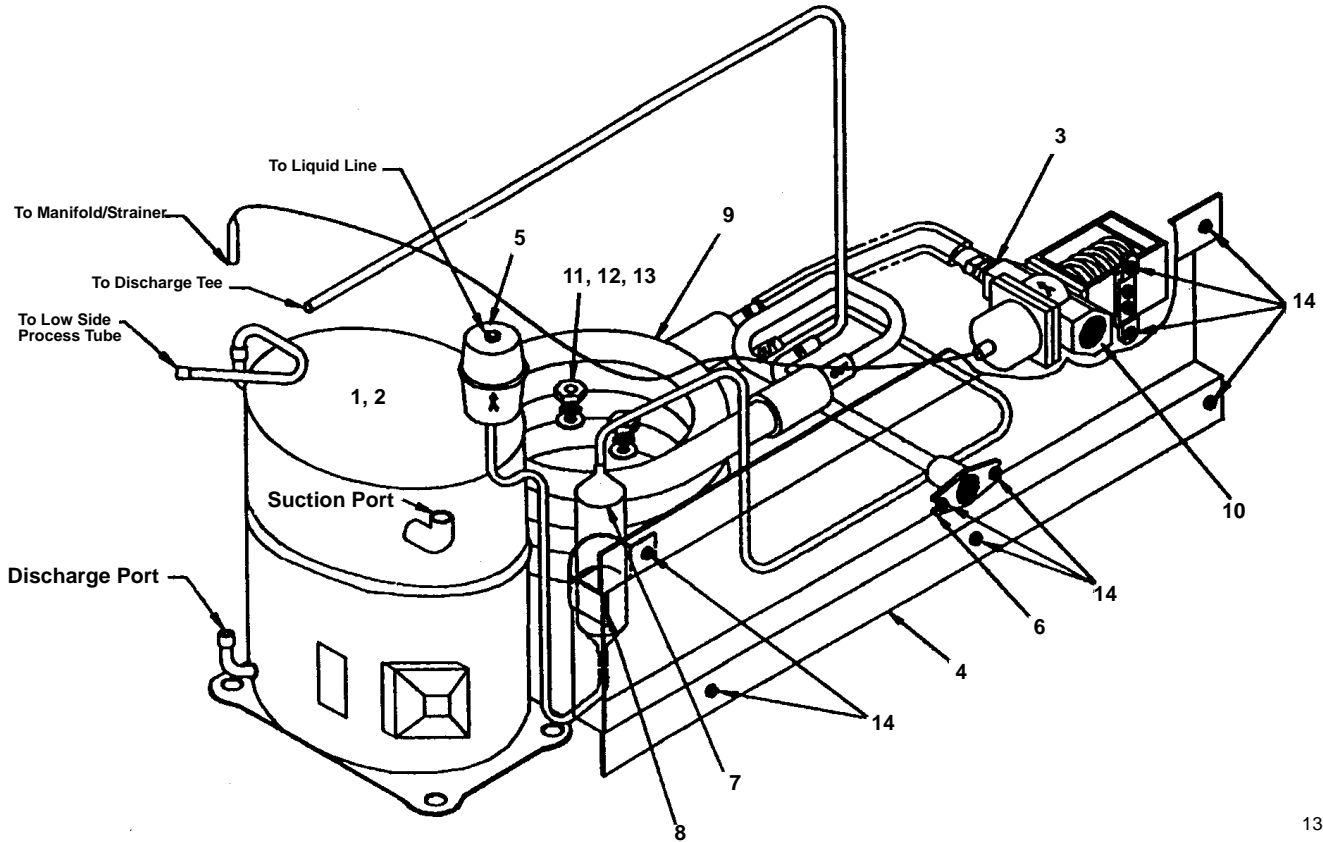
1303

DESCRIPTION

DESCRIPTION	PART NO.
1 Adapter, Water Outlet	17-0602-1
2 Angle	† 601287-1
3 Dump Valve, 208/230V	000001768
4 Dump Valve Mounting Bracket	626031-4
5 Dump Valve Shield (Air only)	† 70-0062-3
6 Expansion Valve HP81	† 76-2535-3
a. Expansion Valve R22	No Longer Available
7 High Pressure Cut-out HP81	† 23-5536-9
a. High Pressure Cut-out R22	† 23-5533-9
8 LH Corner Post Weldment	600085-1
9 Manifold/Strainer	83-1015-3
10 Neoprene Bulb Boot	40-0720-3
11 Neoprene TXV Boot	40-0721-3
12 NTC Thermistor	23-5116-3
13 RH Corner Post Weldment	600085-2
14 Solenoid Valve HP81 208/230V 50/60 Hz (Danfoss)	† 76-3011-1
a. Solenoid Valve R22 208/230V 50/60 Hz (Danfoss)	† 76-3011-1
15 Union, Water Inlet	13-6096-1
16 Vinyl Tube, .625 ID	† 44-2038-3
17 Vinyl Tube, .25 OD	44-2029-1
18 Water Pump Lead	† 20-7810-3
19 Tube, Copper Drain	11048-1
20 Clamp, Plastic Hose	† 56-5070-9
21 Clamp, Worm Drive Hex Head	† 56-5052-9
22 Clamp, Worm Drive	56-5077-3
23 Female Wing Adapter	† 87-0609-3
24 Nut, Hex Locknut	† 54-7503-9
25 Nut Hex .375	† 54-3002-9
26 Rubber Grommet	† 85-0306-9
27 Screw, #10-24 x .50	† 52-0206-9
28 Sleeve	† 85-0394-9
29 Washer, Flat .312	† 55-7309-9
30 Alco Coil Only	† 24-0448-3
31 Liquid Injector Valve - R22 Only (Not shown)	24-0498-3

† Refer to Cross Reference Guide

B0800 WATER-COOLED



1305

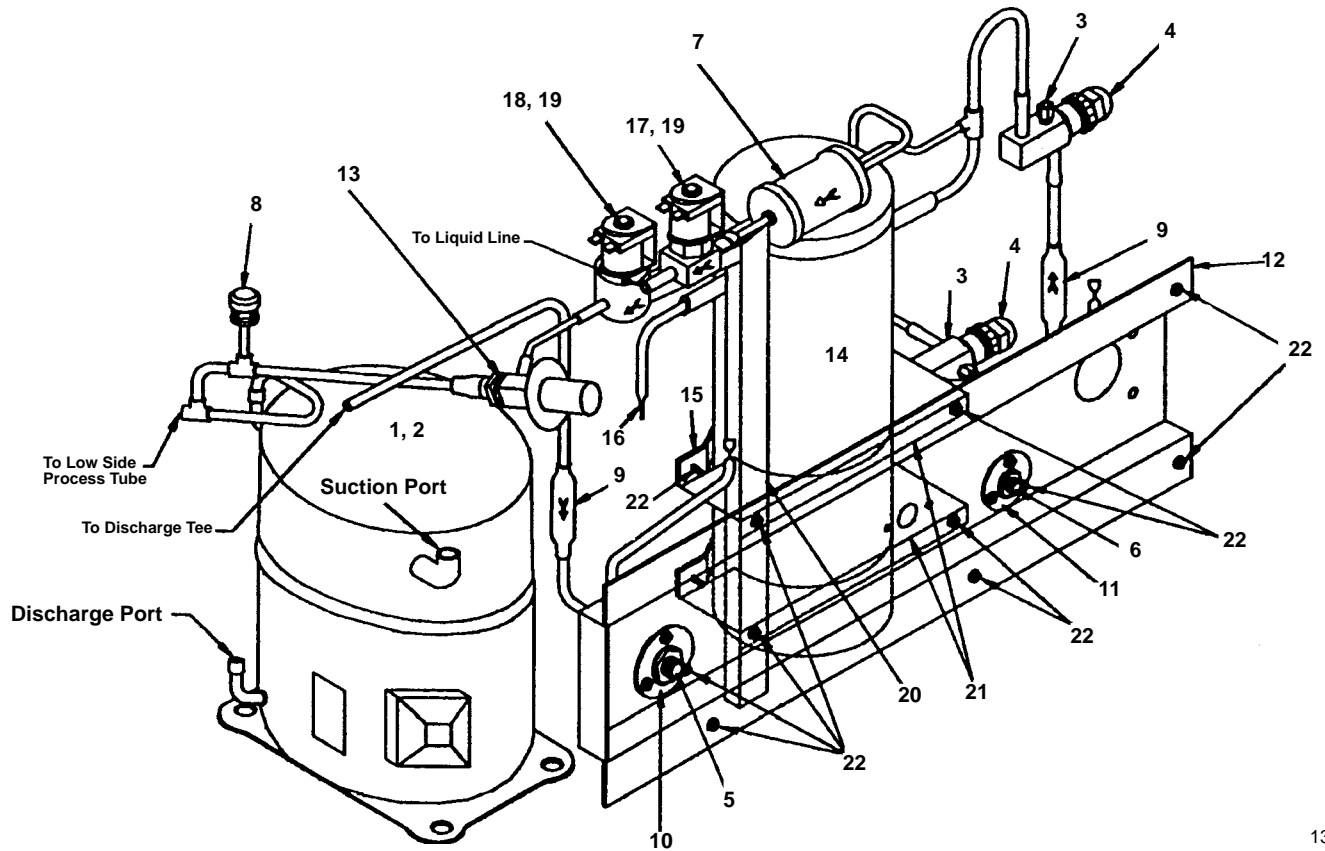
DESCRIPTION

DESCRIPTION	PART NO.
1 Compressor, 208/230V, 60 Hz 1 Ph*	† 76-2815-3
2 Compressor, 3 Ph.	† 76-2816-3
3 Coupling	83-3203-3
4 Coupling Mounting Panel	600057-1
5 Drier	† 89-3025-9
6 Female Wing Adapter	87-0612-3
7 Receiver	89-0012-3
8 Receiver Strap	600054-1
9 Water Condenser	† 88-6516-7
10 Water Regulating Valve	83-7206-3
11 Flatwasher .312	† 55-7309-9
12 Lockwasher .38 Split.	† 55-4514-9
13 Nut - .375 Hex.	† 54-3002-9
14 Screw, #10-24 x .50	† 52-0206-9

*See Page 9 for 50 Hz Applications

† Refer to Cross Reference Guide

B0800 REMOTE



1306

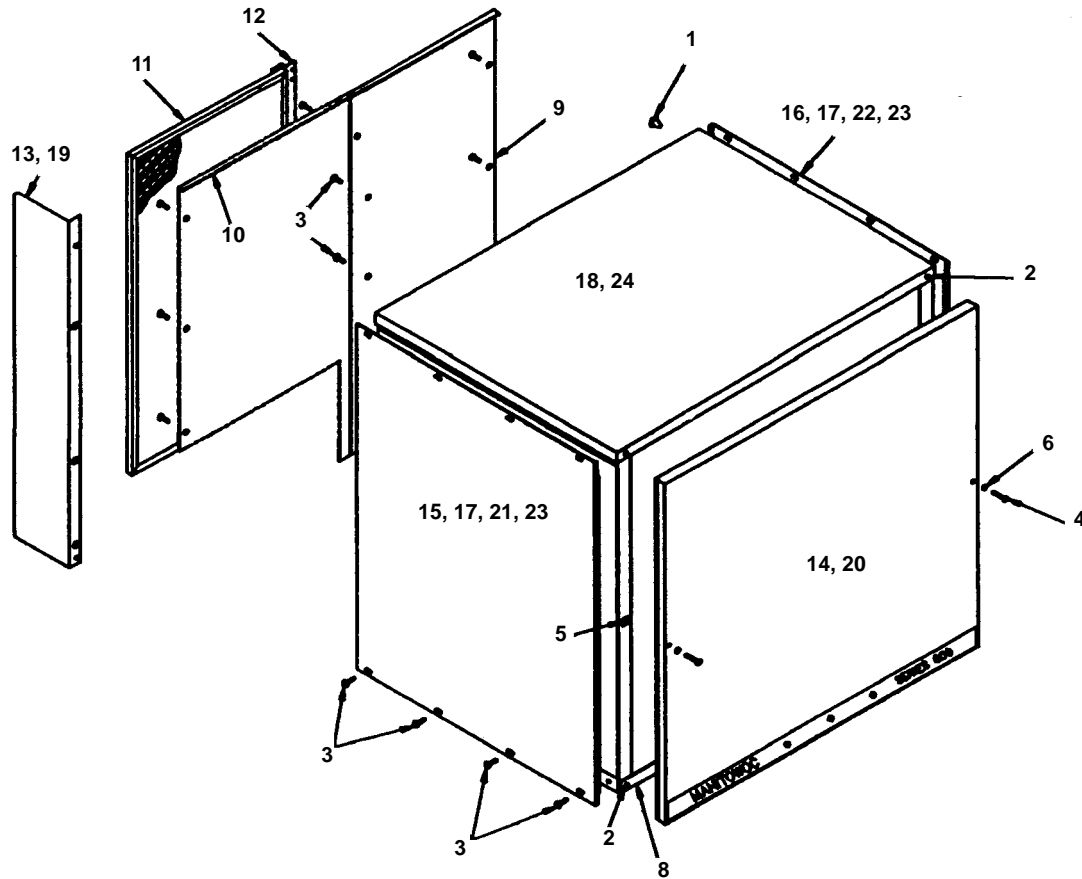
DESCRIPTION

	PART NO.
1 Compressor, 208-230V, 60 Hz 1 Ph*	† 76-2815-3
2 Compressor, 3 Ph	† 76-2816-3
3 Brass Angle Valve	† 83-7316-9
4 Brass Angle Valve, Cap Only	56-5075-3
5 Coupling - Male 1-1/16 - 12	† 83-6035-3
6 Coupling - Male 5/8 - 18	† 83-6034-3
7 Drier	† 89-3027-9
8 Low Pressure Cut-out	† 23-5540-9
9 Magni-check Valve	83-7314-3
10 Mounting Flange	83-6006-3
11 Mounting Flange	83-6005-3
12 Panel, Coupling Mounting	600057-1
13 Pressure Regulator Valve	† 83-6779-3
14 Receiver	89-0044-3
15 Receiver Mounting Strap	630721-4
16 Safety Soft Plug	† 628451-9
17 Solenoid Valve, 208/230V 50/60 Hz Liquid Line (Danfoss)	† 76-3008-1
18 Solenoid Valve, HPR 208/230V 50/60 Hz (Danfoss)	† 76-3006-1
19 Alco Coil Only	† 24-0448-3
20 Bracket Weldment	600055-1
21 Mounting Bracket, Receiver	600056-1
22 Screw, # 10-24 x .50	† 52-0206-9

* See Page 9 for 50 Hz Applications

† Refer to Cross Reference Guide

B0800 PANELS



1307

COMMON

	PART NO.
1 Canoe Clip Fastener	† 56-4820-9
2 Screw, #10-24 x .50 Flat	† 52-0209-9
3 Screw, #10-24 x .50 Hex.	† 52-0206-9
4 Screw, #8-32 x 1.25	† 50-2668-9
5 Cage Nut 8-12	† 54-2910-9
6 "0" Ring	† 37-1819-9
7 Extruded Tape (Not shown)	† 92-0250-9
8 Front Support	† 658041-9
9 Back Panel, Air	600069-1
10 Back Panel, Remote/Water.	600070-1
11 Air Filter	40-4004-3
12 Filter Bracket.	† 76-2686-3

FAWN

13 Air Baffle	600222-1
14 Front Panel Assembly.	76-2462-3
15 LH Side Panel, Air	600064-1
16 RH Side Panel, Air	600065-1
17 Side Panel, Water/Remote	600066-1
18 Top Cover	600068-1

STAINLESS STEEL

19 Air Baffle	600222-3
20 Front Panel Assembly.	76-2463-3
21 LH Side Panel, Air	600064-3
22 RH Side Panel	600065-3
23 Side Panel, Water/Remote	600066-3
24 Top Cover	600068-3

† Refer to Cross Reference Guide

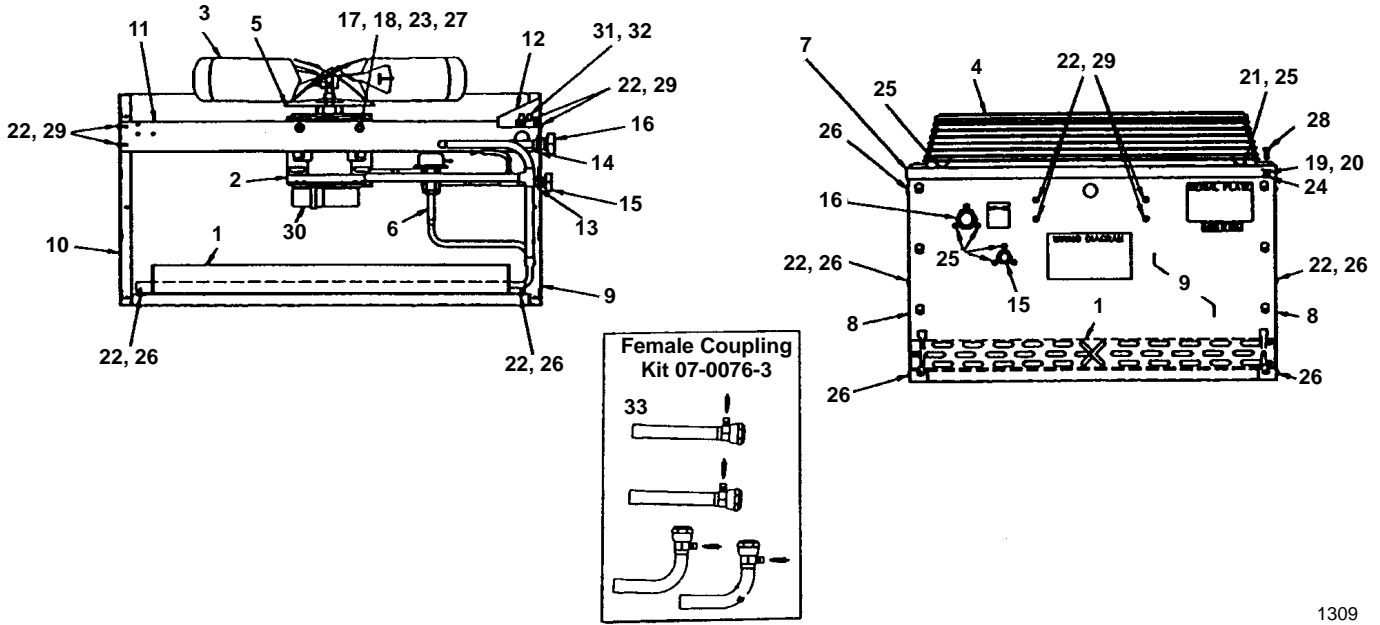
B0800 ELECTRICAL APPLICATIONS

All parts are the same as the 60 Hz Model with the following exceptions:

230V/50/1

	PART NO.
Compressor 208/230/1	† 76-2817-3
Start Components for Bristol:	
Start Capacitor	85-0370-3
Start Relay	85-0450-3
Run Capacitor	† 85-0341-3
Start Components for Tecumseh:	
Start Capacitor	85-0383-3
Start Relay	85-0561-3
Run Capacitor	† 20-1013-3
Water Pump	† 14-8027-9
Terminal Block	25-1103-3
.1 Amp Mini-fuse, On Control Board	25-1105-3
7 Amp Fuse, On Control Board	25-1100-3

BC0895 REMOTE CONDENSER



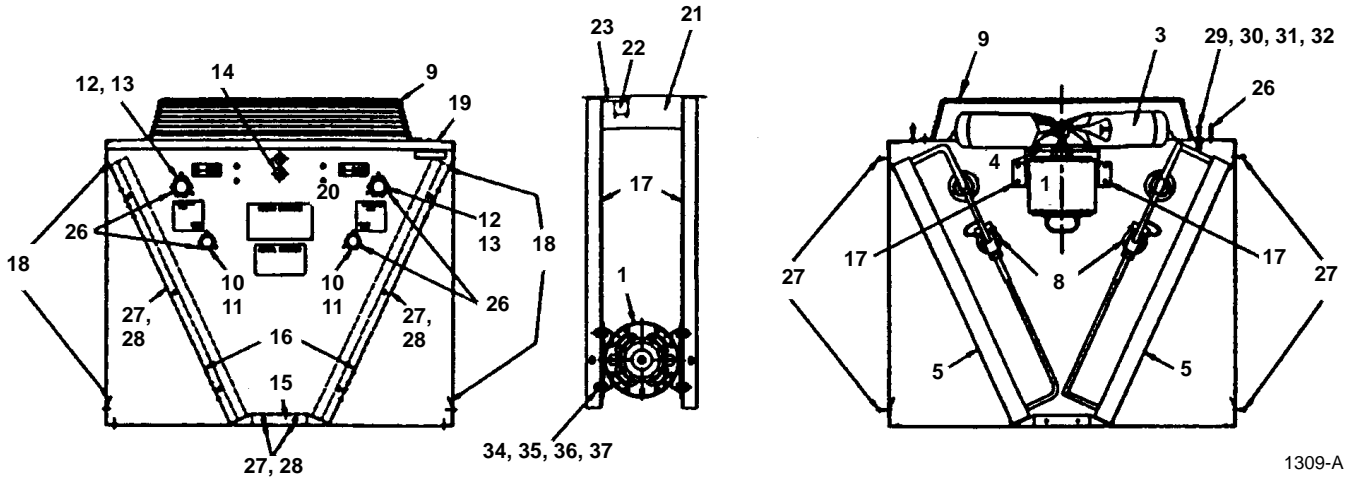
1309

DESCRIPTION

	PART NO.
1 Air Condenser	† 88-5062-9
2 Fan Motor, 208-230V, 50/60 Hz	† 76-2941-3
3 Fan Blade	24-1611-3
4 Fan Guard	34-0064-3
5 Rain Slinger	24-1505-3
6 Head Pressure Control	83-6809-3
7 Top Cover	† 601775-1
8 Panel, Side	† 601774-1
9 Panel, Rear	† 601773-1
10 Panel, Front	† 601772-1
11 Base Bracket	† 601768-1
12 Electrical Cover	† 601776-1
13 Mounting Flange .25 x .38	83-6005-3
14 Mounting Flange .50 x .88	83-6006-3
15 Coupling, Male .63-18.	† 83-6034-3
16 Coupling, Male 1.06-12.	† 83-6035-3
17 Lockwasher .31 Split.	† 55-7313-9
18 Washer - Flat .31 ID	† 55-7309-9
19 Washer - Flat .25 Stainless	† 55-7304-9
20 Lockwasher .25 Split Stainless	† 55-4511-9
21 Lockwasher #10 Int. Phos	† 55-4464-9
22 Lockwasher #8 Int. Phos	† 55-4459-9
23 Nut .31-18 Steel Hex.	54-2975-9
24 Nut .25-20 Steel Hex.	† 54-2952-9
25 Screw #10-24 x .62.	† 52-0205-9
26 Screw #8 x .5	† 51-2153-9
27 Screw .31-18 x .62	† 50-3565-9
28 Screw .25-2 x .62	† 50-3345-9
29 Screw #8-32 x .50.	† 50-2624-9
30 Fan Capacitor (Emerson)	85-0458-3
30 Fan Capacitor (Magnatec)	No Longer Available
31 Terminal Block	76-2878-3
32 Terminal Block Mounting Bracket	600868-1
33 Female Coupling Kit	SALES K0129
34 Mounting Legs	† 601769-1

† Refer to Cross Reference Guide

DC0885 REMOTE CONDENSER



1309-A

1	Fan Motor, 115V, 60 Hz	† 76-2942-3
2	Capacitor For Fan Motor	No Longer Available
3	Fan Blade	24-1611-3
4	Rain Slinger	24-1505-3
5	Air Condenser (Uses 2)	† 88-5062-9
6	Back Panel (Not shown)	† 601788-1
7	Legs (Not shown)	† 601769-1
8	Headmaster Control HP-81	83-6809-3
9	Fan Guard	34-0064-3
10	Male Coupling 5/8 - 18 THR	† 83-6034-3
11	Coupling Flange For 83-6034-3	83-6005-3
12	Male Coupling 1-1/16 - 12 THR	† 83-6035-3
13	Coupling Flange For 83-6035-3	83-6006-3
14	Hole Plug For 7/8" hole	43-0146-3
15	Base	601779-1
16	Condenser Mounting Angle	601777-1
17	Fan Mounting Bracket Also Used As Base Bracket	† 601768-1
18	Support Bracket	† 601778-1
19	Top Cover	601789-1
20	Front Panel	† 601787-1
21	Electrical Box Cover	† 601776-1
22	Relay	24-0819-3
23	Relay Mounting Bracket	600000-1
24	Transformer (Not shown)	24-1027-3
25	Electrical Junction Box (Not shown)	25-1501-3
26	Screw, #10 - 24 x .62	† 52-0206-9
27	Screw, #8 x .50	† 51-2153-9
28	Lockwasher, #8	† 55-4459-9
29	Screw, .25 x .62	† 50-3345-9
30	Lockwasher .25 Split SS	† 55-4511-9
31	Washer, Flat .25 SS	† 55-7304-9
32	Nut .25 - 20 Steel Hex	† 54-2952-9
33	Lockwasher #10	† 55-4464-9
34	Screw, .31 - 18 x .62 Hex Head	† 50-3565-9
35	Nut .31 - 18 Steel Hex Head	54-2975-9
36	Washer, flat .31 ID	† 55-7309-9
37	Lockwasher, .31 Split Zinc	† 55-7313-9
38	Line Set Female Coupling 1-1/16 - 12, 90 degree	† 83-6026-3
39	Line Set Female Coupling Straight 1-1/16 - 12	83-6027-3
40	Line Set Female Coupling 5/8 - 18, 90 degree	83-6047-3
41	Line Set Female Coupling Straight 5/8 - 18	83-6048-3
42	Access Fitting Core For Couplings	76-2684-3

NOTE: Items 22, 23, 24 and 25 are used only when the optional K-00095 Relay/Transformer Kit has been installed.

† Refer to Cross Reference Guide

INTENTIONALLY LEFT BLANK