



Ice Machine Parts List for Series B1800 Models

BR1800A

BD1892N

BR1801W

BY1804A

BR1890N

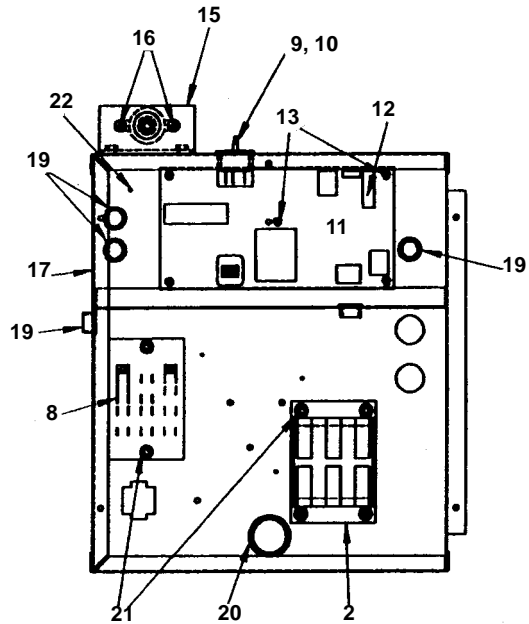
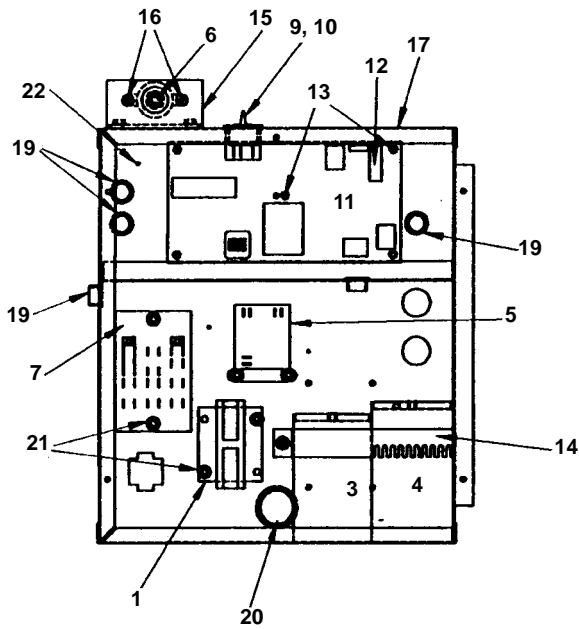
BY1805W

BD1802A

BY1894N

BD1803W

B1800 CONTROL BOX



1331

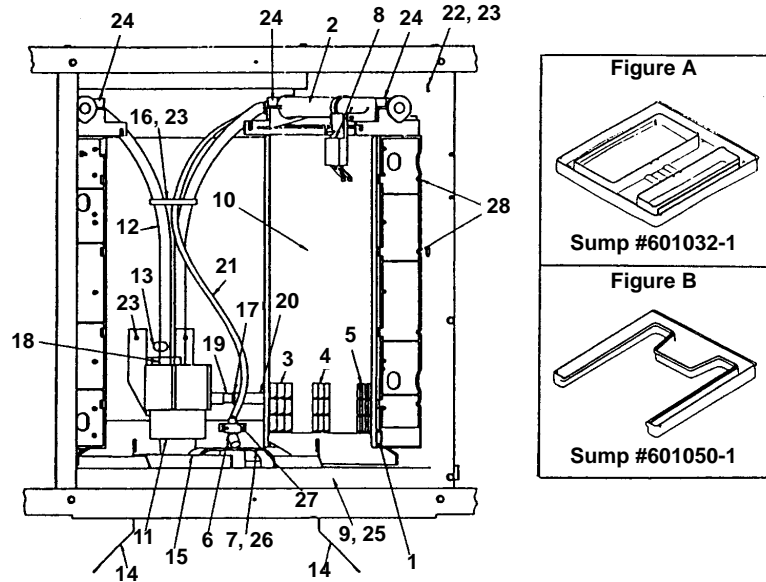
DESCRIPTION

DESCRIPTION	PART NO.
1 Contactor For 1 phase units	24-1030-3
2 Contactor For 3 phase units	† 20-0116-3
3 Run Capacitor For Bristol	† 000000028
3 Run Capacitor For Tecumseh	000001395
4 Start Capacitor For Bristol	85-0456-3
4 Start Capacitor For Tecumseh	85-0552-3
5 Start Relay For Bristol	85-0379-3
5 Start Relay For Tecumseh	20-0751-9
6 High Pressure Cut-out	† 23-5536-9
7 Terminal Board With Harness, 1 phase	20-3140-3
8 Terminal Board With Harness, 3 phase	20-3141-3
9 Toggle Switch	23-0134-3
10 Toggle Switch With Wiring Harness	† 20-3105-9
11 Control Board (For use with all voltages)	† 76-2800-3
12 Fuse For Control Board, 7 Amp	25-1100-3
12 Mini-fuse For Control Board, .125 Amp*	† 25-1116-9
13 Support For Control Board	43-0225-3
14 Capacitor Bracket	600452-1
15 Mounting Bracket/High Press Control.	627701-4
16 Screw, #8 x 3/4	† 51-2166-9
17 Control Box	600582-1
18 Control Box Cover With Labels.	† 76-2567-3
19 Bushing, .625"	† 25-0218-9
20 Bushing, 1.187"	25-0001-1
21 Screw, #10-24 x .50	† 52-0206-9
22 Screw, #10-24 x .50	† 52-0216-9

* See Page 9 for 50 Hz Applications

† Refer to Cross Reference Guide

B1800 EVAPORATOR COMPARTMENT



1332

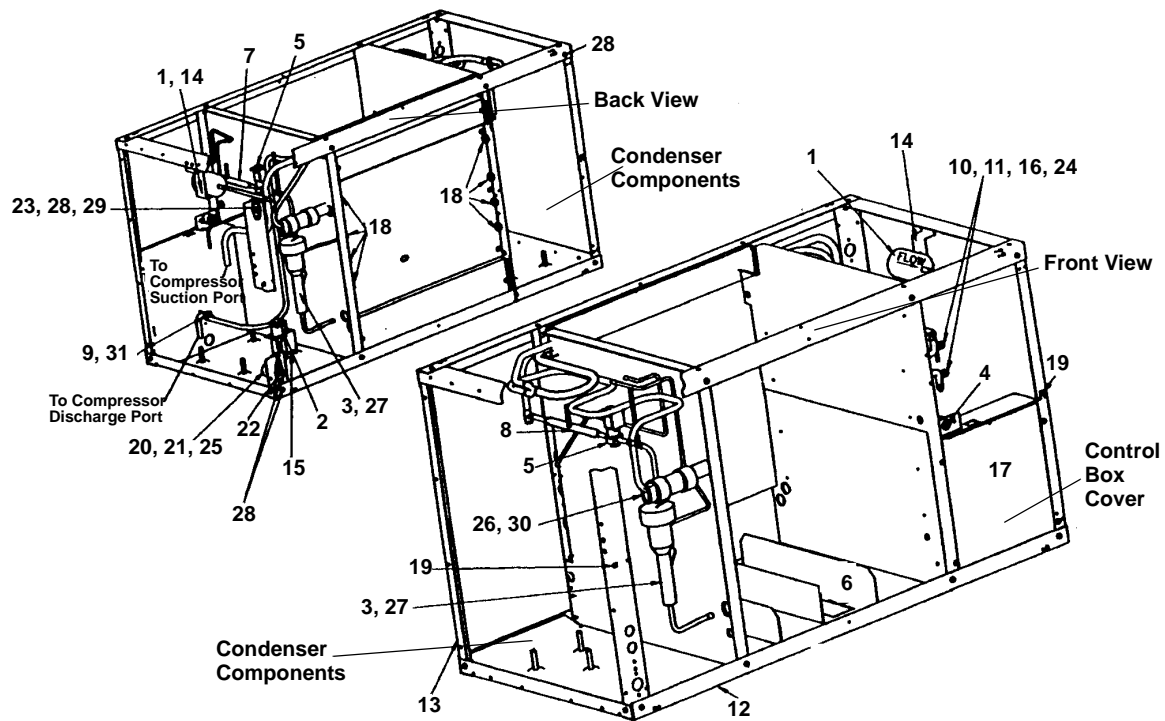
DESCRIPTION

DESCRIPTION	PART NO.
1 Bin Switch	† 23-0148-3
2 Distribution Tube	† 76-2498-3
3 Evaporator, Regular Cube, RH or LH	† 76-2501-9
4 Evaporator, Dice Cube, RH or LH	† 76-2502-9
5 Evaporator, Half Dice Cube, RH or LH	† 76-2503-9
6 Float Valve	83-6913-3
7 Float Valve Bracket Used With Figure A Sump Trough	43-0250-3
a. Float Valve Bracket Used With Figure B Sump Trough	† 76-2140-3
8 Ice Thickness Control	† 76-2781-3
9 Sump Trough (Up to SN 950460000, See Figure A)	† 601032-1
9a Sump Trough (After SN 950460000, See Figure B)	601050-1
10 Water Curtain	† 40-0473-3
a. Water Curtain Hanger	76-2776-3
b. Water Curtain Magnet And Clip	† 76-2802-3
11 Water Pump*	† 76-2601-3
12 Water Pump Discharge Tube	44-2091-3
13 Water Pump Lead	20-7774-3
14 Ice Baffle	600654-1
15 Ice Baffle Support Used With Figure A Sump Trough	600588-1
a. Ice Baffle Support Used With Figure B Sump Trough	† 000000103
16 Loop Clamp 2.00" Diameter	No Longer Available
17 Clamp	† 56-5070-9
18 Hose Clamp	† 56-5053-9
19 Union Connector, White Nylon, Straight	83-9005-3
a. Union Connector, 90 Degrees	83-9012-3
20 Vinyl Tube, .625 ID	† 44-2038-3
21 Poly Tubing, 1/4 OD	44-2029-1
22 Nylon Spring Clip	† 56-5069-9
23 Screw, #10-24 x .50	† 52-0206-9
24 Thumbscrew, #8-32	† 50-0001-3
25 Push-in Screw (Mounting sump trough)	† 50-1227-9
26 Shield, Mylar Splash For Float	600922-1
27 Compression Nut	† 56-5072-9
28 Screw for Mounting Evaporator	† 52-0218-9
29 Water Curtain Stop	601167-1
30 Splash Shield	† 76-2679-3
31 Evaporator Gasket/Top Molding Assembly (Not shown)	76-2621-3

* See Page 9 for 50 Hz Applications

† Refer to Cross Reference Guide

B1800 COMMON COMPRESSOR COMPARTMENT



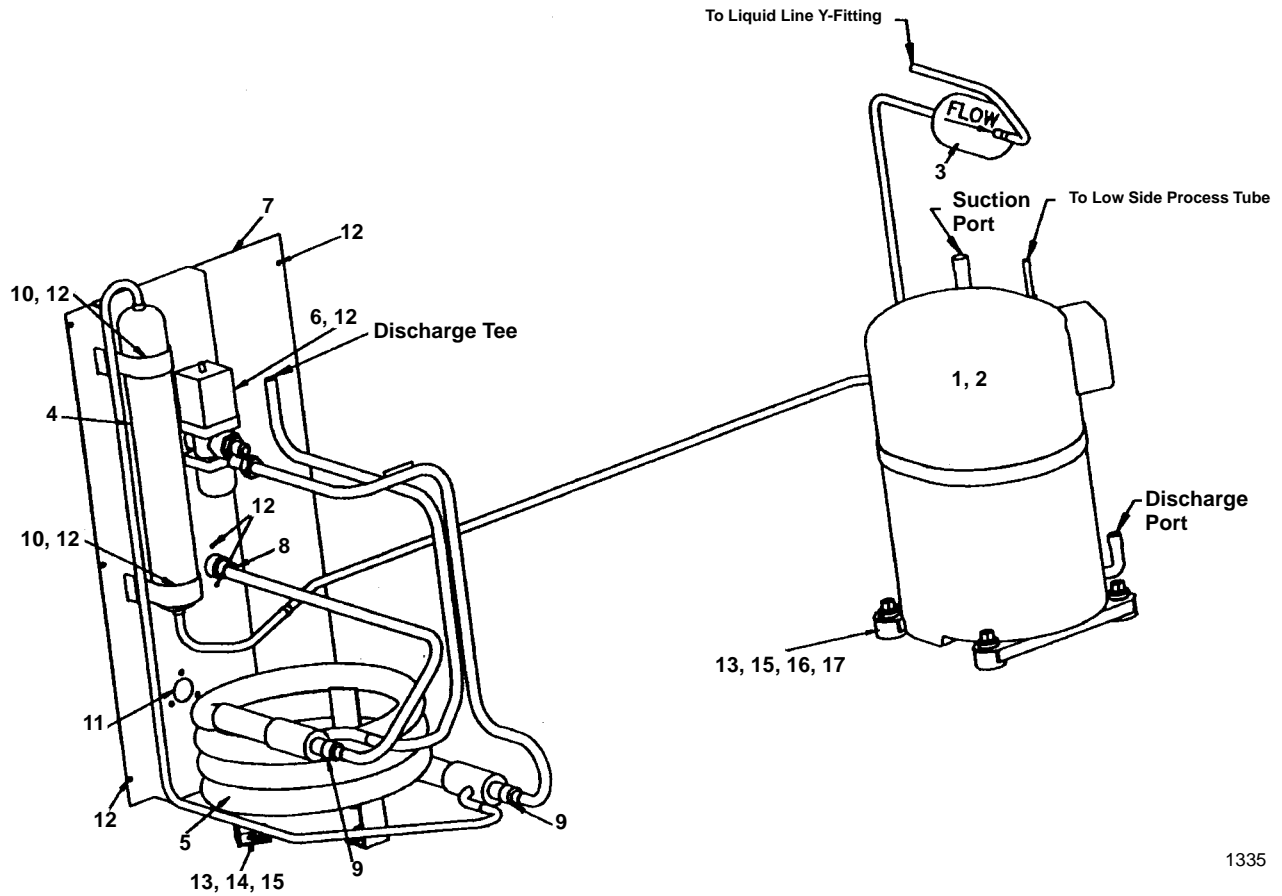
1333

DESCRIPTION

DESCRIPTION	PART NO.
1 Drier	† 89-3027-9
2 Dump Valve, 208/230V	000001768
3 Expansion Valve	† 76-2706-3
4 High Pressure Cut-out	† 23-5536-9
5 Hot Gas Solenoid Valve 208/230V 50/60 Hz (Danfoss)	† 76-3010-1
6 Ice Baffle Support Used With 601032-1	600588-1
a. Ice Baffle Support Used With 601050-1	† 000000103
7 Manifold Strainer (Compressor side)	No Longer Available
8 Manifold Strainer (Condenser side)	83-1020-3
9 NTC Thermistor	23-5116-3
10 Process Valve	† 83-7310-9
11 Stem Assembly	No Longer Available
12 Angle, Top & Bottom, Fawn	† 601389-1
13 Cornerpost Weldment	600697-1
14 Bracket, Drier	600578-1
15 Bracket, Dump Valve	600566-1
16 Bracket, Service Valve	600166-1
17 Control Box Cover	† 76-2567-3
18 Bushing, .875	† 25-0140-9
19 Cagenut, #8-32	† 54-2910-9
20 Clamp	† 56-5070-9
21 Copper Elbow, 5/8 x 5/8	83-0523-3
22 Drain Adapter, 1/2	17-0602-1
23 Water Inlet Adapter	† 87-0609-3
24 Hex Lock - Palnut	† 54-7503-9
25 Molded Vinyl White Tube	44-2081-3
26 Neoprene Bulb Boot	40-0720-3
27 Neoprene TXV Boot	40-0721-3
28 Screw, #10-24 x .50	† 52-0206-9
29 Union	13-6096-1
30 Worm Drive Clamp	† 56-5052-9
31 Worm Drive Clamp	56-5084-3

† Refer to Cross Reference Guide

B1800 WATER-COOLED



1335

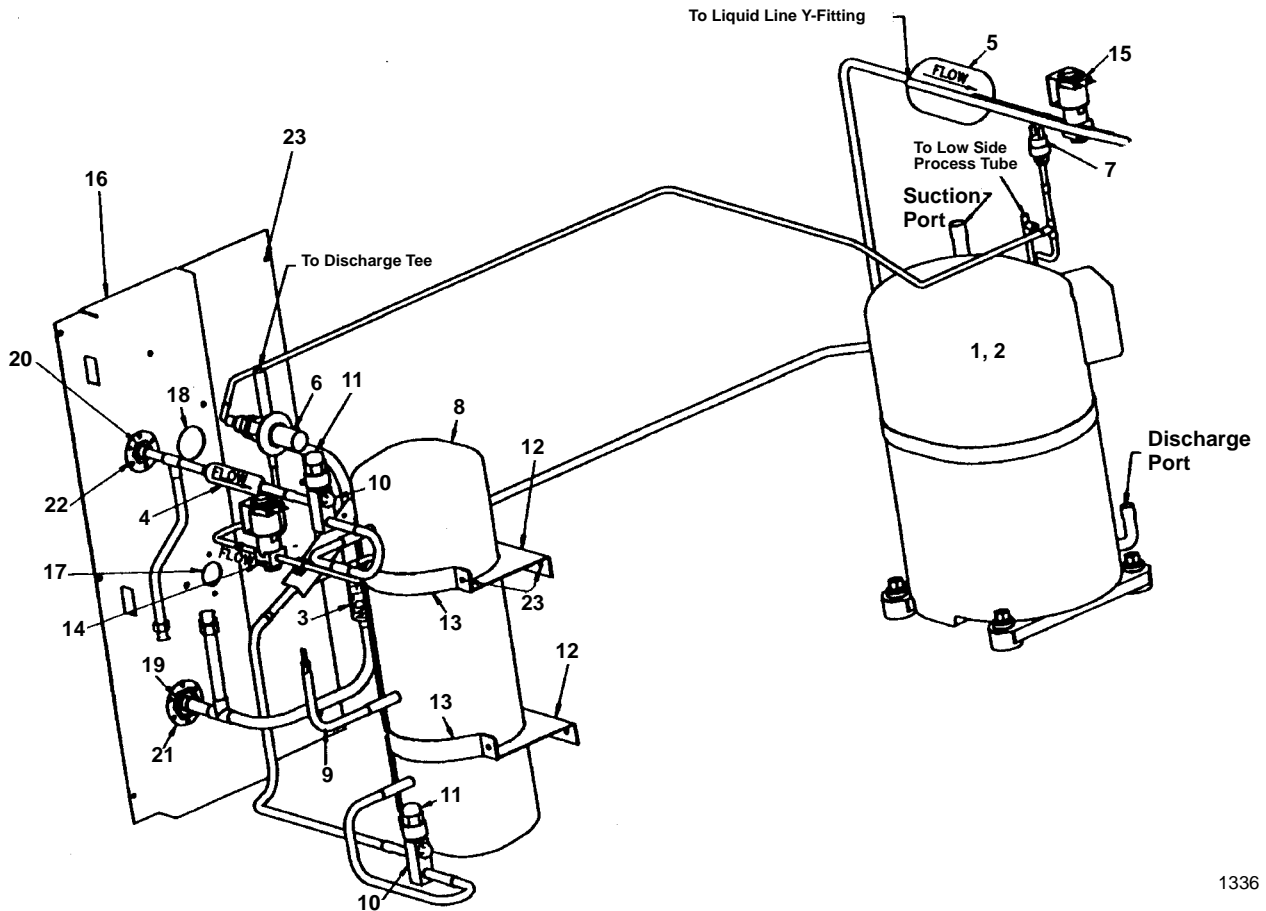
DESCRIPTION

	PART NO.
1 Compressor, 230/60/1*	† 76-2825-3
2 Compressor, 3 Phase	† 76-2826-3
3 Drier	† 89-3027-9
4 Receiver	89-0035-3
5 Water-cooled Condenser*	† 000001508
6 Water Regulating Valve	83-7212-3
7 Panel - Remote & Water Couplings	600698-1
8 Female Wing Adapter, Condenser Drain	87-0612-3
9 Reducing Coupling .75 x .50.	83-0068-3
10 Receiver Strap	600054-1
11 Hole Plug 1-1/16"	43-0192-3
12 Screw, #10-24 x .50	† 52-0206-9
13 Hex Nut .38-16	† 54-3002-9
14 Lockwasher .38.	† 55-4514-9
15 Flatwasher .31	† 55-7309-9
16 Mounting Grommet.	† 85-0306-9
17 Sleeve	† 85-0394-9

* See Page 9 for 50 Hz Applications

† Refer to Cross Reference Guide

B1800 REMOTE



1336

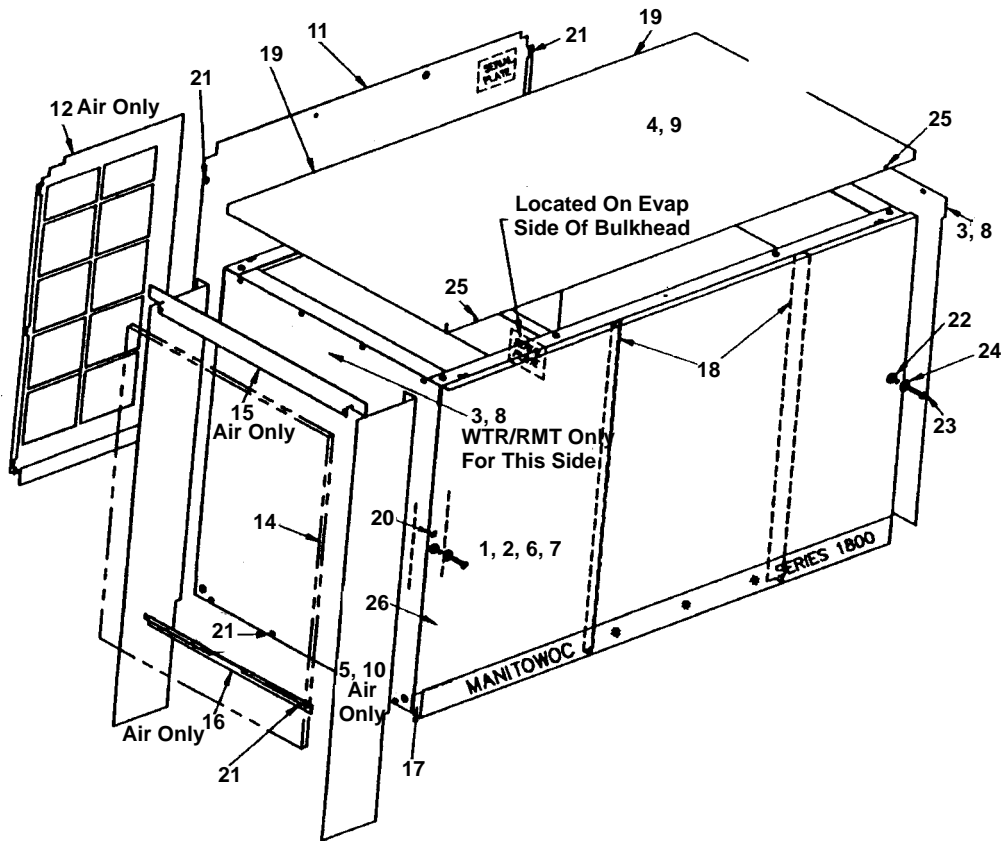
DESCRIPTION

DESCRIPTION	PART NO.
1 Compressor, 230/60/1*	† 76-2825-3
2 Compressor, 3 Phase*	† 76-2826-3
3 Check Valve	83-7315-3
4 Magni-check Valve	† 83-7314-9
5 Drier	† 89-3027-9
6 HPR Valve 60 Hz*	† 83-6779-3
7 Low Pressure Cut-out	† 23-5540-9
8 Receiver	† 76-2958-3
9 Receiver Safety Soft Plug	† 628451-9
10 Receiver Service Valve	† 83-7316-9
11 Service Valve Cap	56-5075-3
12 Receiver Mounting Bracket	600056-1
13 Receiver Mounting Strap	630721-4
14 Solenoid, HPR 208/230V 50/60 Hz (Danfoss)	† 76-3006-1
15 Solenoid, Liquid Line	76-3010-1
16 Panel, Remote Coupling	600698-1
17 Hole Plug 1-1/16"	43-0192-3
18 Hole Plug 1.50"	† 43-0266-9
19 Male Coupling 1.062	† 83-6035-3
20 Male Coupling .625	† 83-6034-3
21 Mounting Flange	83-6006-3
22 Mounting Flange	83-6005-3
23 Screw, #10-24 x .50	† 52-0206-9
24 Female Coupling Kit (On line set)	SALES K0129

* See Page 9 for 50 Hz Applications

† Refer to Cross Reference Guide

B1800 PANEL



1337

PART NO.

FAWN

1	Front Panel Assembly with Air Louvers	No Longer Available
2	Front Panel Assembly, Water and Remote	76-2571-3
3	Side Panels, RH or LH	600713-1
4	Top Cover	600608-1
5	Air Baffle	600610-1

STAINLESS STEEL

6	Front Panel Assembly with Air Louvers	76-2568-3
7	Front Panel Assembly, Water or Remote	76-2569-3
8	Side Panel, LH or RH	600713-2
9	Top Cover	600608-2
10	Air Baffle	600610-2

COMMON PARTS

11	Back Panel, Evaporator Side	600716-1
12	Back Panel, Air-Cooled, Condenser Side	600715-1
13	Back Panel, Water and Remote	600698-1
14	Air Filter	40-4008-3
15	Air Filter, Top Bracket	† 76-2686-3
16	Air Filter, Bottom Bracket	† 76-2686-3
17	Top and Bottom Frame Angle	† 601389-1
18	Angle, Front Panel	600718-1
19	Accordion Panel Clip	† 56-4820-9
20	Cagenut	† 54-2910-9
21	Screw, #10-24 x .50	† 52-0206-9
22	"O" Ring	† 37-1819-9
23	Screw, #8-32 x 1.50	† 50-2668-9
24	Washer, Flat Nylon	† 55-7338-9
25	Screw, #10-24 x .50	† 52-0209-9
26	Extruded Tape	† 92-0250-9

† Refer to Cross Reference Guide

B1800 ELECTRICAL APPLICATIONS

All parts are the same as 60 Hz Model with the following exceptions:

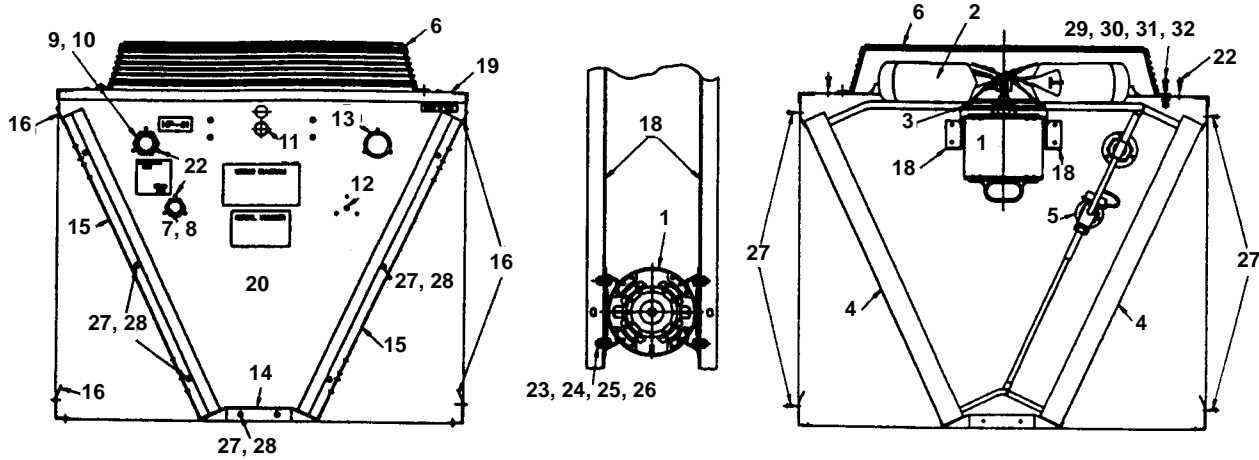
230V/50 Hz/1 Phase

	PART NO.
Compressor	† 76-2827-3
Run Capacitor	† 20-1013-3
Start Capacitor	† 85-0316-3
Start Relay	85-0380-3
Water Pump	† 14-8027-9
7 Amp Fuse for Control Board	25-1100-3
.1 Amp Mini-fuse for Control Board	25-1105-3
Terminal Block	76-2878-3
Terminal Board with Wiring Harness	20-3170-3
HPR Valve - Remote Systems	† 83-6756-3
Water Condenser	88-6520-7

415V/50 Hz/3 Phase

Compressor	† 76-2828-3
Water Pump	† 14-8027-9
7 Amp Fuse for Control Board	25-1100-3
.1 Amp Mini-fuse for Control Board	25-1105-3
Terminal Block	25-1103-3
Terminal Board with Wiring Harness	20-3141-3
HPR Valve - Remote Systems	† 83-6756-3

BC1895 REMOTE CONDENSER



1339

DESCRIPTION

PART NO.	DESCRIPTION	PART NO.
1	Fan Motor, 230V, 60 Hz	† 76-2941-3
2	Fan Blade	24-1611-3
3	Rain Slinger	24-1505-3
4	Air Condenser (Uses 2)	88-5062-3
5	Headmaster Control	83-6809-3
6	Fan Guard	34-0064-3
7	Male Coupling	† 83-6034-3
8	Coupling Flange for 83-6034-3	83-6006-3
9	Male Coupling	† 83-6035-3
10	Coupling Flange for 83-6037-3	83-6005-3
11	Hole Plug for 7/8" Hole	43-0146-3
12	Hole Plug for .625" Hole	43-0264-3
13	Hole Plug for 1-1/16" Hole	43-0192-3
14	Base	601779-1
15	Condenser Mounting Angle	601777-1
16	Support Bracket	† 601778-1
17	Electrical Box Cover (Not shown)	† 601776-1
18	Base Bracket for Mounting Fan	† 601768-1
19	Top Cover	601789-1
20	Front Panel	† 601787-1
21	Back Panel (Not shown)	† 601788-1
22	Screw, #10-24 x .50	† 52-0206-9
23	Screw, .31-18 x .62 Hex Head	† 50-3565-9
24	Nut, .31-18 Steel Hex Head	54-2975-9
25	Washer, Flat .31 ID	† 55-7309-9
26	Lockwasher, .31 Split	† 55-7313-9
27	Screw, #8 x .50	† 51-2153-9
28	Lockwasher, #8	† 55-4459-9
29	Screw, .25 x .62	† 50-3345-9
30	Lockwasher, .25 Split SS	† 55-4511-9
31	Washer Flat, .25 SS	† 55-7304-9
32	Nut, .25 Steel Hex	† 54-2952-9
33	Female Coupling Kit	SALES K0129

50 Hz APPLICATION

Fan Motor, 230V, 50 Hz	† 76-2941-3
Terminal Block	25-1103-3
Bracket - Terminal Block	600868-1

† Refer to Cross Reference Guide