



**Ice Machine Parts List
for Models**

CR0200A

CR0201W

CD0202A

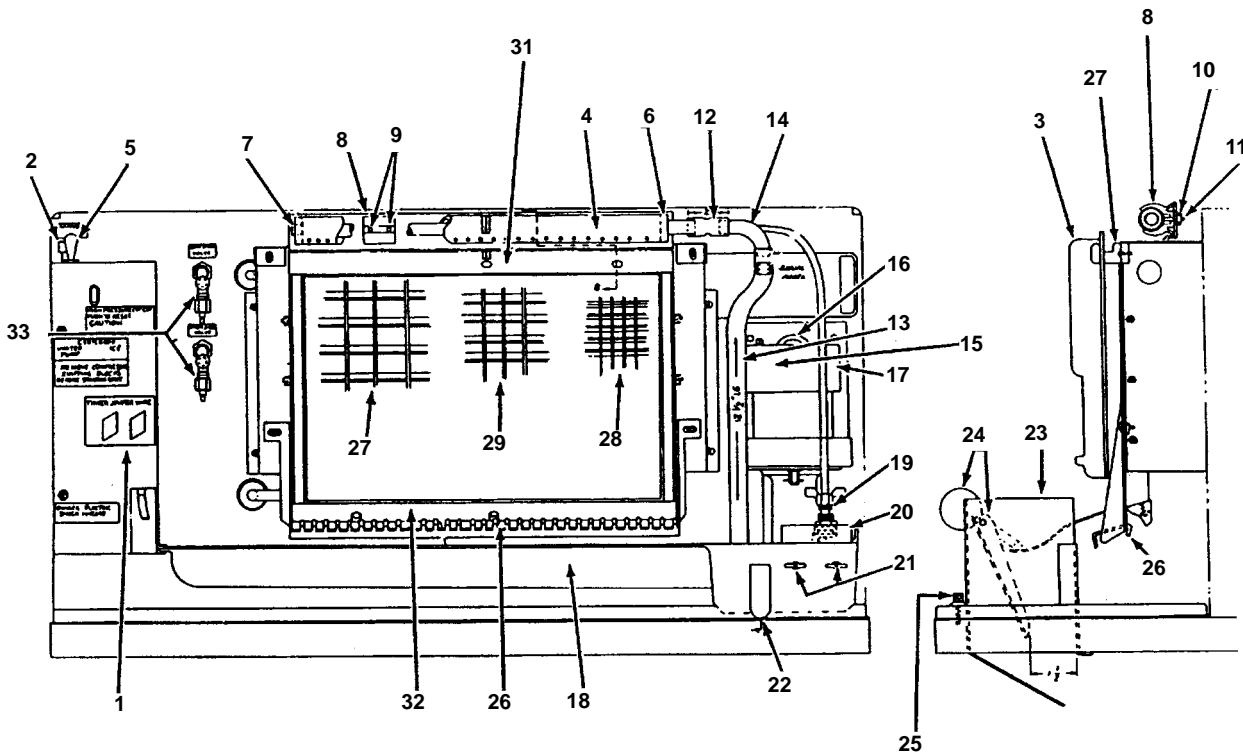
CD0203W

CY0204A

CY0205W

Manufactured February 1980 through February 1983

C0200 EVAPORATOR

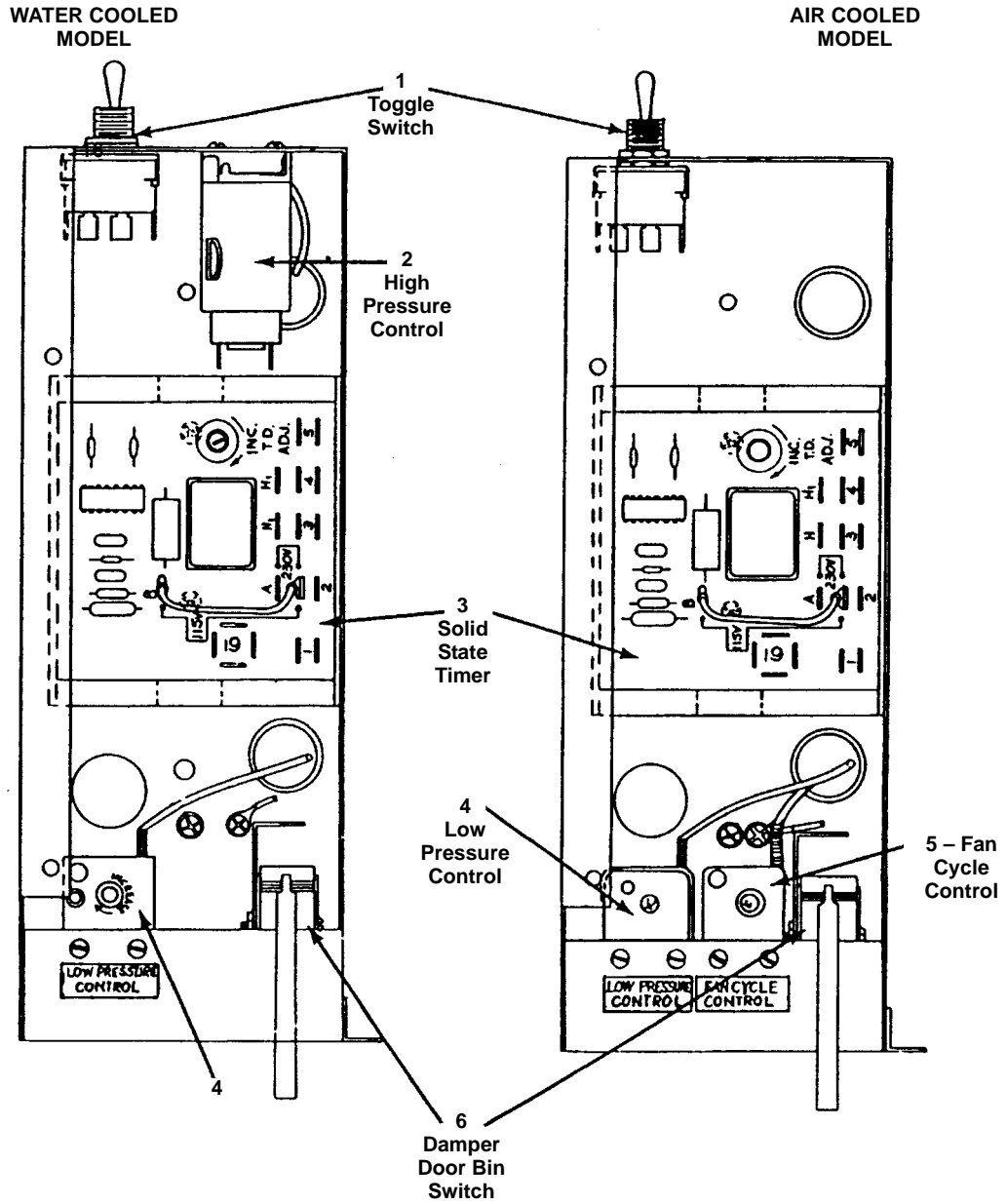


1091

	PART NO.		PART NO.
1 Control Box Cover	76-1973-3	19 Bracket For Float Valve	† 620281-4
2 Manual Harvest Switch	No Longer Available	20 Wing Nut	† 54-8913-9
3 Water Curtain	No Longer Available	21 Overflow Elbow	43-0009-3
4 Water Distribution Tube	† 655271-4	22 Water Flow Restrictor	† 44-0004-9
5 Main Toggle Switch	† 23-0084-9	23 Ice Chute After SN 81020221	655502-4
6 End Collar	† 44-0821-9	23 Ice Chute Up to SN 81020221	† 653681-9
7 End Stopper	† 44-0820-9	24 Damper Door Up to SN 81020221	† 606811-4
8 Mounting Clip	† 56-5039-9	24 Damper Door After SN 81020221	No Longer Available
9 Pop Rivet	† 57-6843-9	25 Knurled Screw	† 50-1207-9
10 Nylon Nut	† 54-2945-9	26 Harvest Rack	† 603001-4
11 Centering Pin	† 50-1313-9	27 Water Curtain Hook RH	No Longer Available
12 Water Supply Tube (Need 2")	44-2033-9	28 Evaporator (Regular cube)	No Longer Available
13 Water Supply Tube (Need 13")	44-2033-9	29 Evaporator (Half dice cube)	† 681733-9
14 Elbow	83-0510-3	30 Evaporator (Dice cube)	† 681732-9
15 Water Pump	† 76-2306-3	31 Top Grid Extrusion	No Longer Available
16 Water Pump Bracket	No Longer Available	32 Bottom Grid Extrusion	† 654141-4
17 Sump Trough	† 655291-4	33 Process Valve	† 83-7310-9
18 Float Valve Assembly	83-6912-3		

† Refer to Cross Reference Guide

C0200 CONTROL BOX

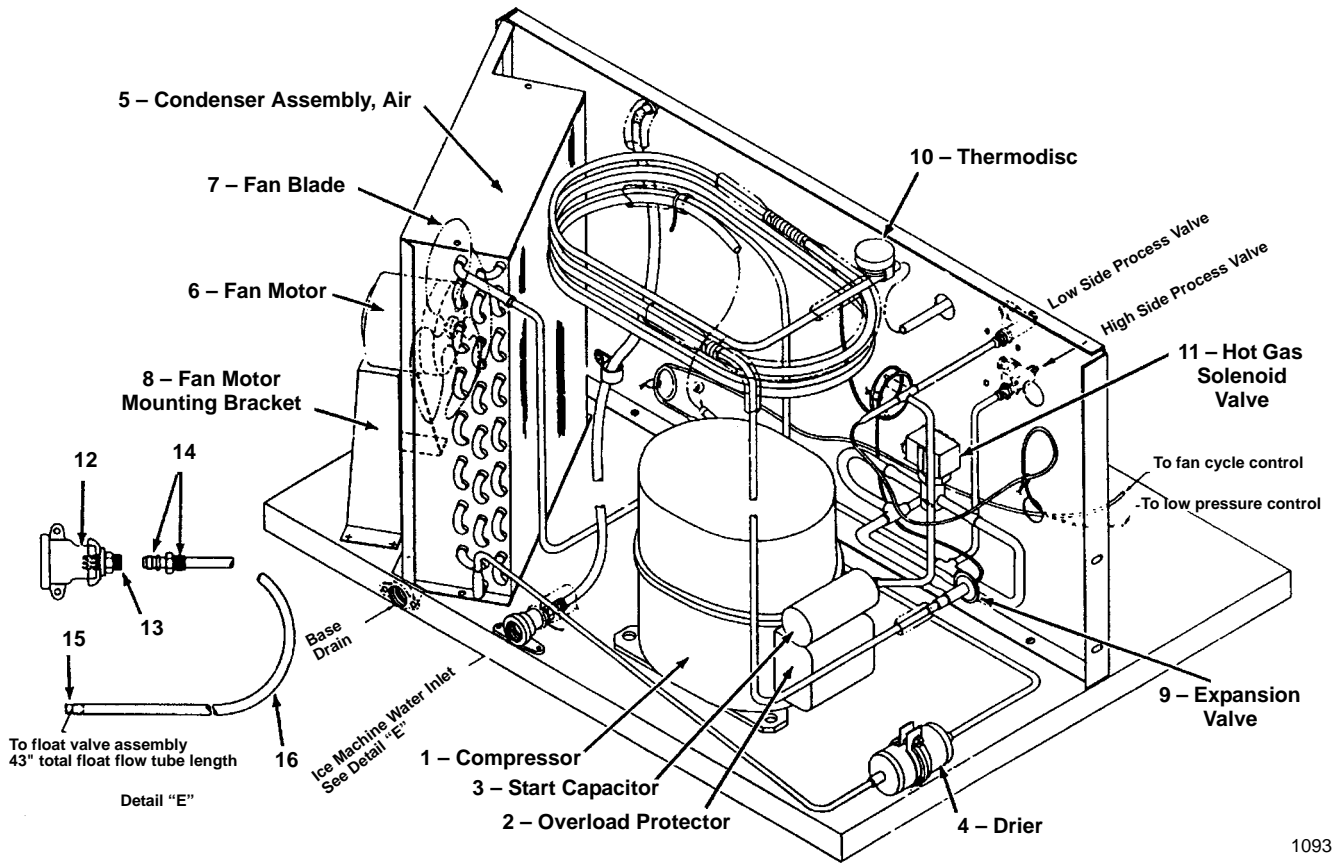


1092

		PART NO.
1	Toggle Switch	† 23-0084-9
2	High Pressure Control	† 23-5501-1
3	Solid State Timer	† 24-0623-9
4	Low Pressure Control	† 23-5519-3
5	Fan Cycle Control	
	Up to SN 80120001	No Longer Available
	After SN 80120001	† 23-0112-3
6	Damper Door Bin Switch	† 23-0079-9

† Refer to Cross Reference Guide

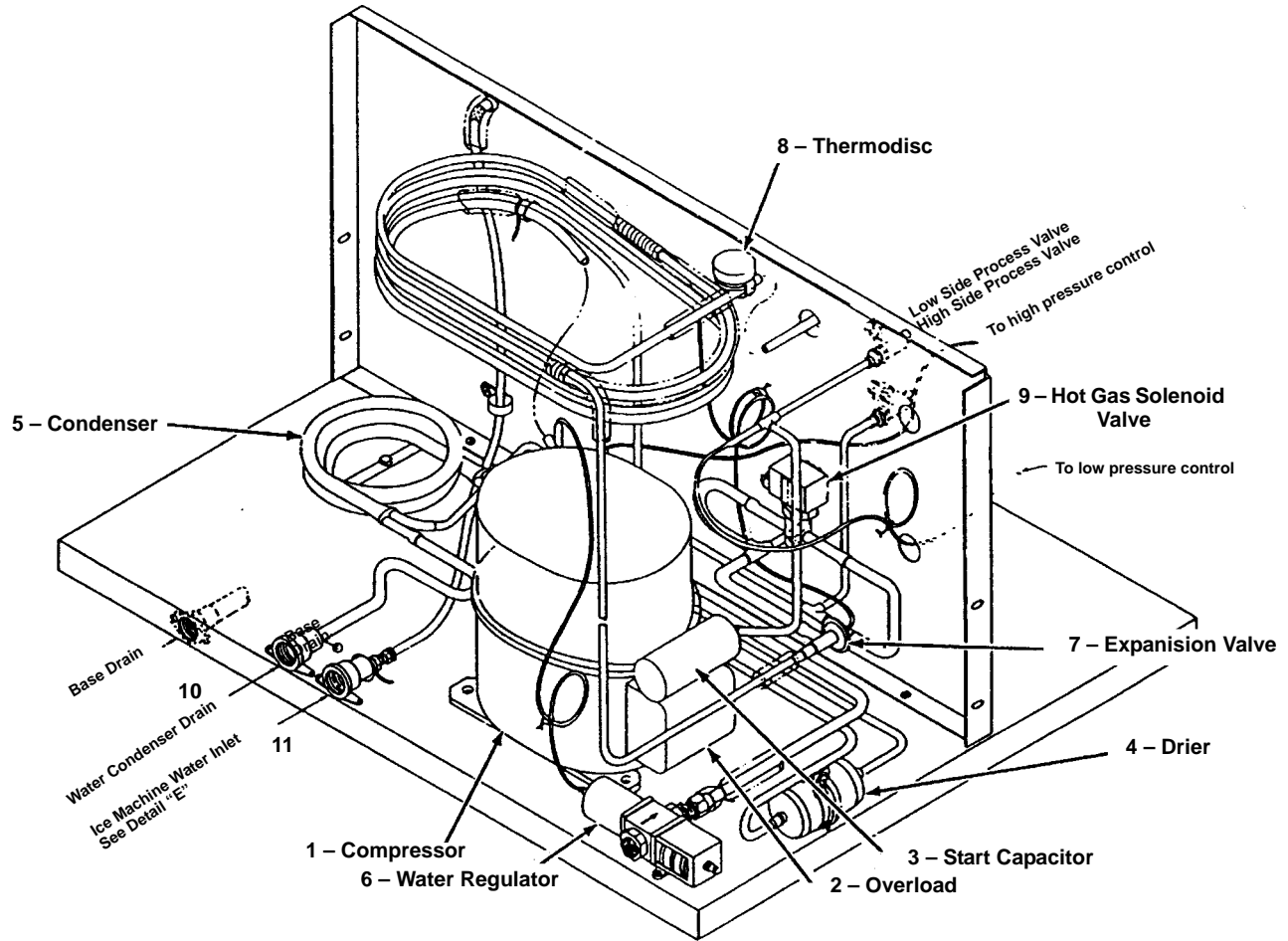
C0200 AIR-COOLED



		PART NO.
1	Compressor, 115V 60Hz.	† 76-2136-3
2	Overload Protector for Tecumseh.	85-0328-3
2	Overload for Copeland Compressor.	85-0546-3
3	Start Capacitor For Tecumseh AE4448A	85-0327-3
3	Start Capacitor For Tecumseh AK9434A	85-0371-3
3	Start Capacitor for Copeland	85-0513-3
4	Drier	† 89-3025-9
5	Air Condenser.	No Longer Available
6	Fan Motor	† 24-0221-1
7	Fan Blade	24-0015-1
8	Fan Motor Mounting Bracket	† 654081-4
9	Expansion Valve	No Longer Available
10	Thermodisc.	† 23-5100-3
11	Hot Gas Solenoid Valve 115V 60 Hz (Danfoss)	† 76-3002-1
12	Water Inlet Adapter.	† 87-0604-9
13	Water Inlet Adapter Union.	13-6096-1
14	Water Inlet Nut and Sleeve.	83-6125-3
15	Nylon Insert.	† 44-2030-9
16	Water Supply Tube (50" needed)	44-2029-1

† Refer to Cross Reference Guide

C0200 WATER-COOLED



1094

	PART NO.
1 Compressor 115V 60Hz	† 76-2136-3
2 Overload Protector for Tecumseh	85-0328-3
2 Overload for Copeland Compressor	85-0546-3
3 Start Capacitor For Tecumseh AE4448A	85-0327-3
3 Start Capacitor For Tecumseh AK9434A	85-0371-3
3 Start Capacitor for Copeland Compressor	85-0513-3
4 Drier	† 89-3025-9
5 Water Condenser	11-6506-1
6 Water Regulator	† 83-7203-3
7 Expansion Valve	No Longer Available
8 Thermodisc	† 23-5100-3
9 Hot Gas Solenoid Valve	† 76-3002-1
10 Water Condenser Drain Adapter	87-0605-3
11 Water Inlet Adapter	† 87-0604-9

† Refer to Cross Reference Guide

C0200

CONDENSING UNIT GROUP

	PART NO.
Compressor Assembly	† 76-2136-3
Components For Tecumseh AE4448A:	
Relay	85-0326-3
Overload	85-0328-3
Starting Capacitor	85-0327-3
Components For Tecumseh AK9434A:	
Start Capacitor	85-0371-3
Start Relay	85-0374-3
Components For Copeland:	
Overload	85-0546-3
Start Capacitor	85-0513-3
Start Relay	† 15-0001-1
Condenser Assembly (Water-cooled) Packless	11-6506-1
Condenser Drain Adapter	87-0605-3
Condenser (Air-cooled)	No Longer Available
Water Regulator (Water-cooled only)	† 83-7203-3
Fan Motor	† 24-0221-1
Fan Blade	24-0015-1
Fan Motor Bracket	† 654081-4
Drier	† 89-3025-9
Condenser (Air-cooled) with Shroud — Less Fan Motor & Blade	No Longer Available
High and Low Side Process Valve	† 83-7310-9

CONTROL GROUP

Expansion Valve	No Longer Available
Low Pressure Cut-In (Robert Shaw)	† 23-5519-3
Fan Cycle Switch (Up to SN 80120001) (Air-cooled only)	No Longer Available
Fan Cycle Control (Start with SN 80120001) (Air-cooled only)	† 23-0112-3
High Pressure Cut-Out (Robert Shaw) (Water-cooled only)	† 23-5501-1
Damper Door Bin Switch	† 23-0079-9
Bin Switch Mounting Bracket	† 610562-4
Main Toggle Switch	† 23-0084-9
Therm-o-disc	† 23-5100-3
Timer Solid State, Dual Voltage 120/240 Volt	† 24-0623-9
Mounting Track, For All Solid State Timers	44-0784-1
Timer Mounting Track Insulation	610431-4
Hot Gas Solenoid Valve Assembly	† 76-3002-1
Hot Gas Solenoid Coil Only (Alco)	24-0436-3
Control Box	† 658831-4
Control Box Cover	76-1973-3
Manual Harvest Switch	No Longer Available

WATER CIRCUIT GROUP

Water Curtain	No Longer Available
Water Distributor Tube Assembly	† 655271-4
Water Curtain Hook Right Hand	No Longer Available
Water Curtain Hook Left Hand	No Longer Available
End Collar	† 44-0821-9
End Stopper	† 44-0820-9
Mounting Clip, For Dist. Tube (2 Per)	† 56-5039-9
Pop Rivet (For mounting clip No. 56-5039-9) (Pkg. of 10)	† 57-6843-9
Nylon Nut, For Dist. Tube (Pkg. of 10)	† 54-2945-9
Centering Pin for Dist. Tube (Pkg. of 6)	† 50-1313-9
Tubing 1/2" ID 3/4" OD	† 44-2033-3
90° Elbow (Nickel Plate) For Water Tube Assembly	83-0510-3
Water Pump With Bracket & Cover	† 76-2306-3
Sump Trough	† 655291-4
Float Valve Less Bracket	83-6912-3
Float Valve Bracket	† 620281-4
Water Strainer "Y" Type	† 12-6003-3
Wing Nuts For Float Valve	† 54-8913-9

† Refer to Cross Reference Guide

C0200, CONTINUED

WATER CIRCUIT GROUP, continued	PART NO.
Over Flow Elbow (Black Rubber)	43-0009-3
Water Flow Restrictor (Located in vinyl tubing from pump)	† 44-0004-9
Drain Fitting Plug (White plastic with threads)	43-0126-1
Water Inlet Adapter	† 87-0604-9
Water Inlet Adapter Union	13-6096-1
Water Inlet Brass Nut & Sleeve	83-6125-3
Nylon Insert (Water supply tube at float valve)	† 44-2030-9
Water Supply Tube (Water inlet to float valve)	44-2029-1
Ice Chute Assembly (Less damper door) Use up to SN 81020221	† 653681-9
Ice Chute Assembly (Less damper door) after SN 81020221	655502-4
Ice Chute Nylon Bearing	† 37-3005-9
Damper Door Assembly Use up to SN 81020221	† 606811-4
Damper Door Assembly After SN 81020221	No Longer Available
Damper Door Nylon Bearing	† 37-3006-9
Damper Door Switch	† 23-0079-9
Knurled Screw (Mtg. chute to base)	† 50-1207-9
Harvest Rack	† 603001-4
Clip For Damper Door	† 95-0025-9

EVAPORATOR ASSEMBLY GROUP

Replacement Evaporators For Cubers Before SN-AB0100 Also Order 655271-4 Dist. Tube

Evaporator Assembly (Half dice cube)	† 681733-9
Evaporator Assembly (Regular cube)	No Longer Available
Evaporator Assembly (Dice cube)	† 681732-9
Right Hand End Grid Extrusion	44-0787-3
Left Hand Grid Extrusion	44-0786-3
Top Grid Extrusion	No Longer Available
Bottom Grid Extrusion	† 654141-4

CABINET GROUP — FAWN COLOR

Outer Wrapper	No Longer Available
Back Panel	No Longer Available
Front Panel	15235-1
Front Panel Strike (On front panel)	† 30-1507-9
Strike Catch (On outer wrapper)	† 30-1506-9
Front Panel Trim	† 81-3486-3
Foam Tape (Mounting to front panel)	No Longer Available
Mounting Screws For Outer Wrapper 8 x 112 Hex Head	† 51-2464-9

CABINET GROUP — STAINLESS STEEL

Front Panel	No Longer Available
Outer Wrapper	No Longer Available
Back Panel	No Longer Available

FOLLOWING PARTS USED ONLY ON 230 VOLT, 50 CYCLE ICE CUBERS

Compressor Assembly	† 76-2137-3
Components For Tecumseh AE2415A:	
Relay	85-0332-3
Start Capacitor	85-0333-3
Overload Protector	85-0334-3
Components For Tecumseh AK9441A:	
Start Capacitor	85-0373-3
Start Relay	85-0376-3
Components for Copeland:	
Start Capacitor	85-0330-3
Start Relay	85-0347-3
Overload	85-0548-3
Water Pump With Bracket and Cover	† 76-2601-3
Hot Gas Defrost Solenoid Valve Complete, Alco	24-0433-3
Hot Gas Defrost Solenoid Valve Coil Only, Alco	† 24-0448-3
Fan Motor Less Blade	† 24-1219-3

Remainder of parts on 50 cycle ice cubers are same as standard 115 volt, 60 cycle model.

† Refer to Cross Reference Guide

INTENTIONALLY LEFT BLANK