



**Ice Machine Parts List
for Models**

CR0400A

CR0401W

CD0402A

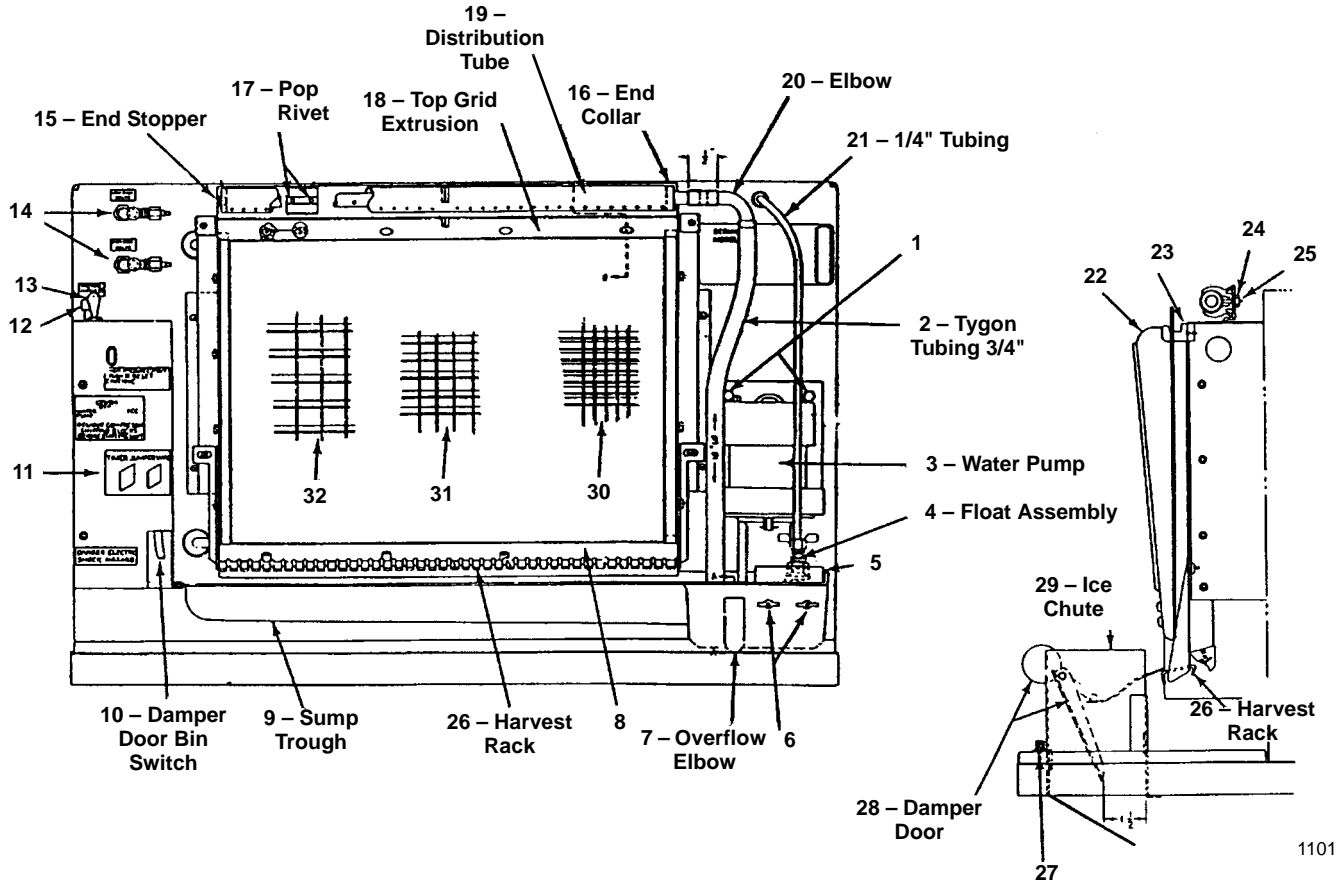
CY0403W

CY0404A

CY0405W

Manufactured February 1980 through February 1983

C0400 EVAPORATOR

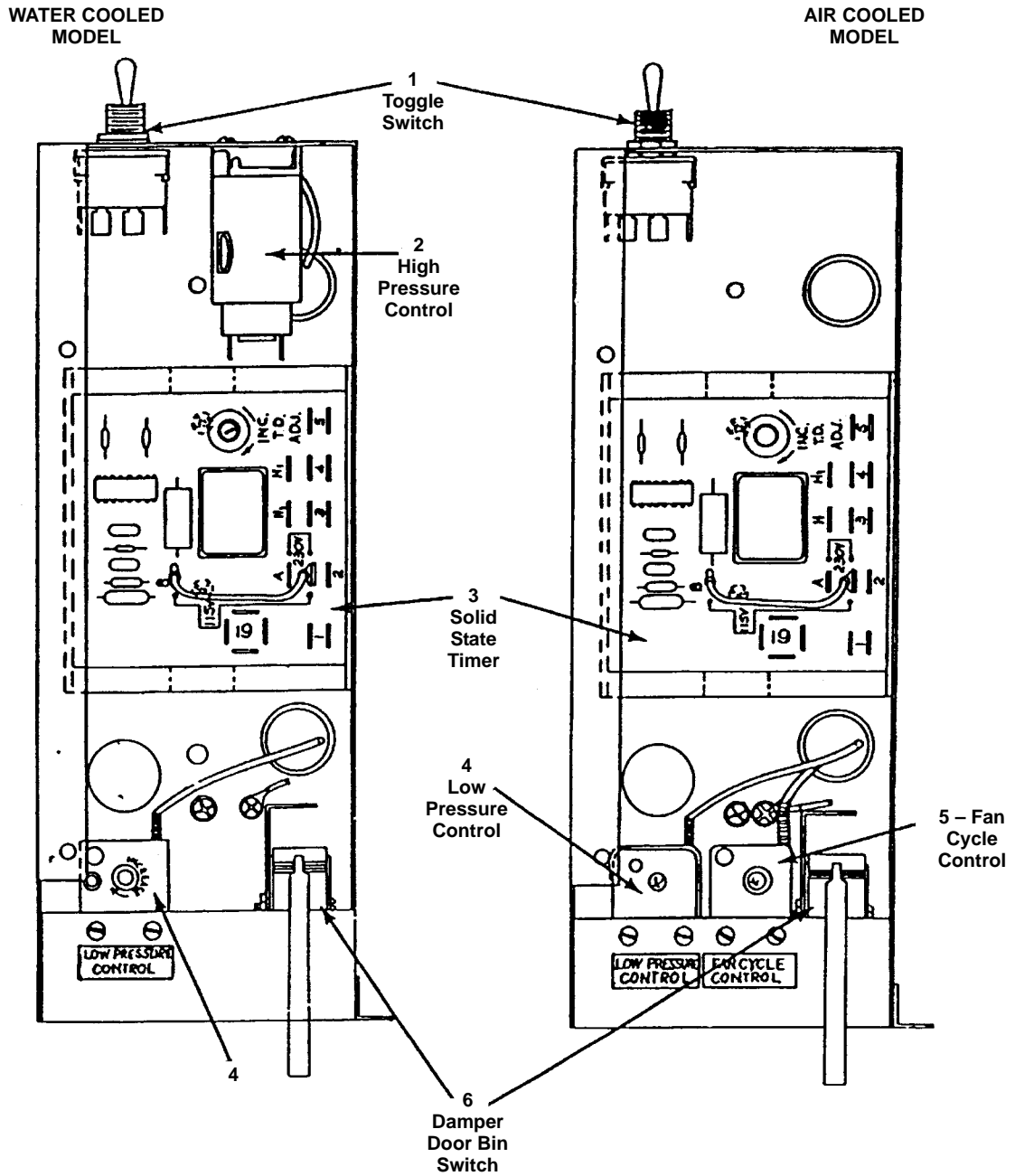


1101

PART NO.		PART NO.			
1	Water Pump Mounting Stud	50-1208-9	18	Top Grid Extrusion	† 606841-4
2	Tubing 3/4"	40-2033-3	19	Distribution Tube.	† 656621-4
3	Water Pump	† 76-2306-3	20	Elbow	† 13-0049-1
4	Float Valve Assembly	83-6912-3	21	Tubing 1/4" OD	44-2029-1
5	Float Bracket.	† 620281-4	22	Water Curtain	12700-1
6	Wing Nut.	† 54-8913-9	23	Water Curtain RH Hook	No Longer Available
7	Overflow Elbow.	43-0009-3	23	Water Curtain LH Hook.	No Longer Available
8	Bottom Grid Extrusion.	† 10699-1	24	Nylon Nut	† 54-2945-9
9	Sump Trough	† 655291-4	25	Centering Pin	† 50-1313-9
10	Damper Door Bin Switch	† 23-0079-9	26	Harvest Rack	† 603021-4
11	Control Box Cover	No Longer Available	27	Thumbscrew	† 50-1207-9
12	Manual Harvest Switch.	No Longer Available	28	Damper Door	† 606811-4
13	Toggle Switch	† 23-0084-9	29	Ice Chute	† 653681-9
14	Process Valve.	† 83-7310-9	29	Ice Chute After SN 81030855 Use	655502-4
15	End Stopper	† 44-0820-9	30	Evaporator Half Dice Cube.	† 682483-9
16	End Collar.	† 44-0821-9	31	Evaporator Dice Cube	† 682482-9
17	Pop Rivet	† 57-6843-9	32	Evaporator Regular Cube.	† 682481-9

† Refer to Cross Reference Guide

C0400 CONTROL BOX

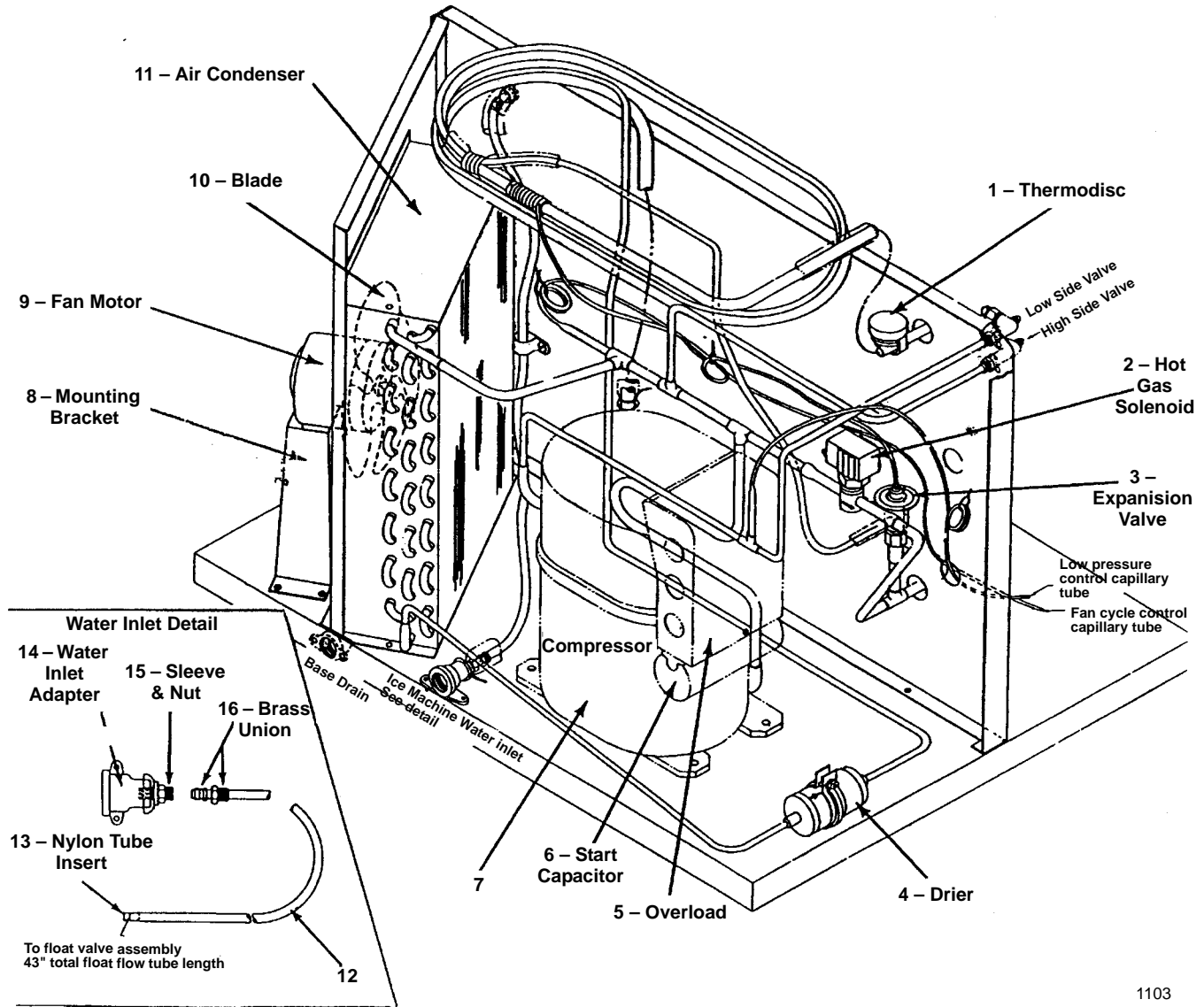


1102

		PART NO.
1	Toggle Switch	† 23-0084-9
2	High Pressure Control	† 23-5501-1
3	Solid State Timer	† 24-0623-9
4	Low Pressure Control	† 23-5519-3
5	Fan Cycle Control	
	Up to SN 79042849	No Longer Available
	After SN 80121601	† 23-0112-3
6	Damper Door Bin Switch	† 23-0079-9

† Refer to Cross Reference Guide

C0400 AIR-COOLED

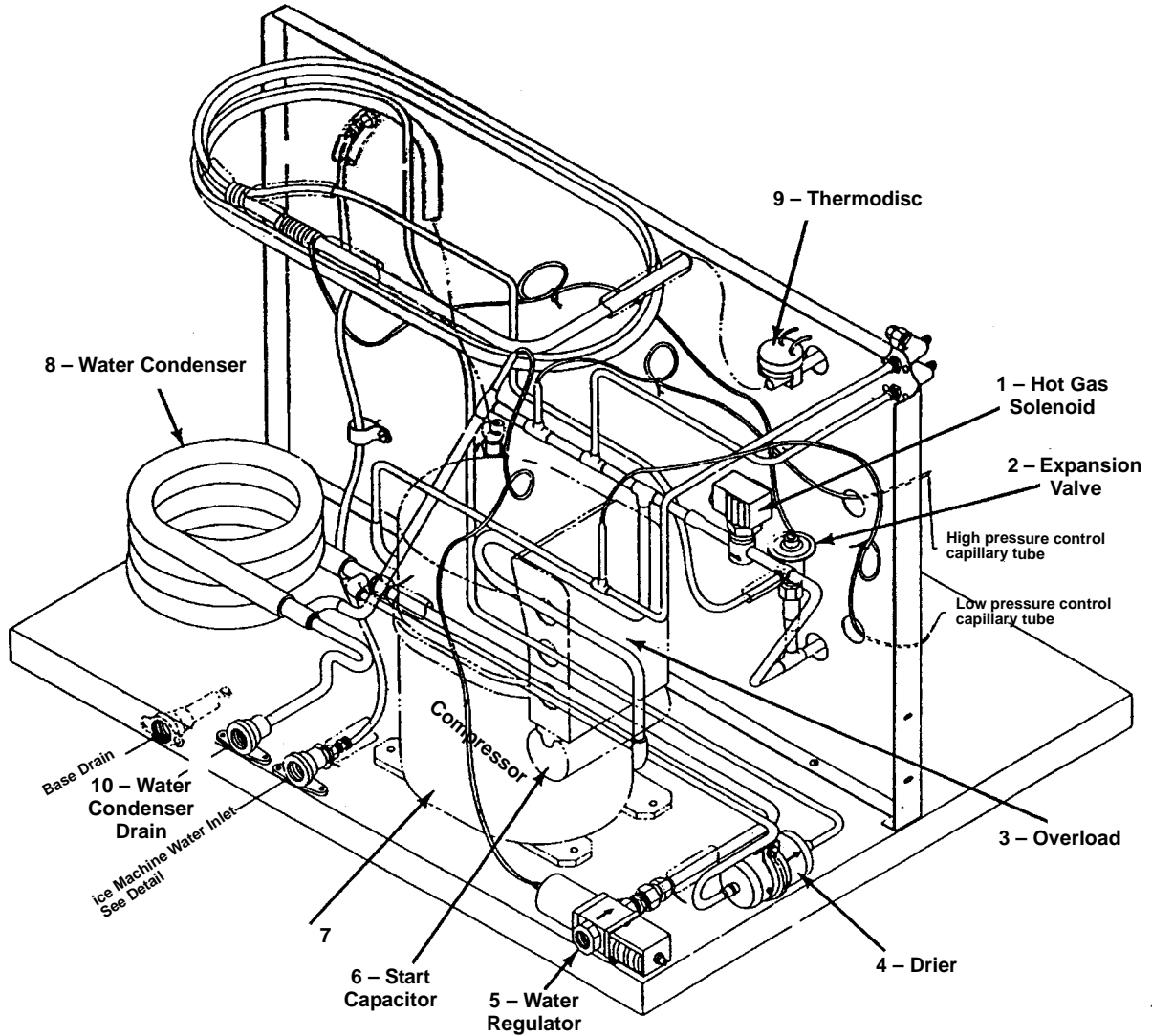


1103

		PART NO.
1	Thermodisc	† 23-5100-3
2	Hot Gas Solenoid	† 24-0437-3
3	Expansion Valve	† 83-6714-9
4	Drier	† 89-3025-9
5	Overload	
	Copeland RRS4-0075-IAA-219	85-0354-3
	Copeland RSN2-0050-IAA-258	† 15-0003-1
6	Start Capacitor	† 15-0002-1
7	Compressor	† 76-2069-3
8	Mounting Bracket	† 654081-4
9	Fan Motor	† 24-1215-3
10	Blade	24-1605-3
11	Air Condenser	No Longer Available
12	Tubing 1/4" OD	44-2029-1
13	Nylon Tube Insert	† 44-2030-9
14	Water Inlet Adapter	† 87-0604-9
15	Sleeve & Nut	83-6125-3
16	Brass Union	13-6096-1

† Refer to Cross Reference Guide

C0400 WATER-COOLED



1104

		PART NO.
1	Hot Gas Solenoid	† 24-0437-3
2	Expansion Valve	† 83-6714-9
3	Overload	
	Copeland RRS4-0075-IAA-219	85-0354-3
	Copeland RSN2-0050-IAA-258	† 15-0003-1
4	Drier	† 89-3025-9
5	Water Regulating Valve	† 83-7203-3
6	Start Capacitor	† 15-0002-1
7	Compressor	† 76-2069-3
8	Water Condenser	† 11-6509-7
9	Thermodisc	† 23-5100-3
10	Water Condenser Drain	87-0605-3

† Refer to Cross Reference Guide

C0400

COMPRESSOR CONDENSING UNIT GROUP

PART NO.

Compressor, 115V 60 Hz	† 76-2069-3
Components For Copeland RRS4-0075-IAA-219:	
Relay	† 76-2332-3
Start Capacitor	† 15-0002-1
Overload	85-0354-3
Components For Copeland RSN2-0050-IAA-258:	
Relay	† 15-0001-1
Start Capacitor	† 15-0002-1
Overland Protector	† 15-0003-1
Components for Tecumseh:	
Overload	85-0527-3
Start Relay	85-0528-3
Start Capacitor	85-0529-3
Fan Motor	† 24-1215-3
Fan Blade	24-1605-3
Fan Motor Mounting Bracket	† 654081-4
Drier	† 89-3025-9
Condenser (Air-cooled) Coil Only	No Longer Available
Condenser (Packless water-cooled)	† 11-6509-7
Condenser Assembly, Air (Includes shrouds less fan motor)	No Longer Available
Water Regulator (For water-cooled condensers) (Penn)	† 83-7203-3
High & Low Side Processing Valve	† 83-7310-9
Condenser Drain Adapter	87-0605-3

CONTROL GROUP

Expansion Valve, 1/2 NIF Sporlan — Sweat	† 83-6714-9
Fan Cycle Control (Starting with SN 80121601) (Air-cooled model only)	† 23-0112-3
Fan Cycle Switch (Up to SN 79042849) (Air-cooled model only)	No Longer Available
Damper Door Bin Switch	† 23-0079-9
Mounting Bracket	† 610562-4
Main Toggle Switch	† 23-0084-9
Manual Harvest Switch	No Longer Available
Thermodisc	† 23-5100-3
Solid State Timer Dual Voltage	† 24-0623-9
Mounting Track, Solid State Timer No. 24-0623-9	44-0784-1
Timer Insulation Paper	† 608201-4
Hot Gas Solenoid Valve Complete (Alco)	† 24-0437-3
Hot Gas Solenoid Valve Coil (Alco)	24-0436-3
Low Pressure Cut-In (Robert Shaw)	† 23-5519-3
High Pressure Cut-Out (Robert Shaw) (Air-cooled model only)	† 23-5501-1
Control Box Cover	No Longer Available
Control Box	† 658831-4

WATER CIRCUIT GROUP

Water Inlet Adapter	† 87-0604-9
Brass Union	13-6096-1
Sleeve & Nut	83-6125-3
Nylon Tube Insert (In water tube at float valve)	† 44-2030-9
1/4 O.D. Polyethylene Tubing, Water Supply	44-2029-1
Water Curtain	12700-1
Water Curtain Right Hand Hook	No Longer Available
Water Curtain Left Hand Hook	No Longer Available
Water Distribution Tube Assembly	† 656621-4
End Collar	† 44-0821-9
End Stopper	† 44-0820-9
Mounting Clip, Distribution Tube Assembly	† 56-5039-9
Pop Rivet (2 ea.) For Mounting Clip 56-5039-9	† 57-6843-9
Nylon Nut, For Mounting Centering Pin No. 50-1313-9	† 54-2945-9
Centering Pin, Distribution Tube Assembly	† 50-1313-9
Tygon Tubing (Pump discharge tubing)	† 44-2033-3
Elbow (nickel plated) 5/8" O.D. (For water distributor)	† 13-0049-1
Water Pump with Bracket & Cover	6-2306-3
Water Pump Bracket Only	No Longer Available

*The component is part of or within item and figure given. It is not necessarily shown.

† Refer to Cross Reference Guide

C0400, CONTINUED

WATER CIRCUIT GROUP, continued	PART NO.
Sump Trough (Less overflow elbow)	† 655291-4
Overflow Elbow	43-0009-3
Float Bracket	† 620281-4
Wing Nut, (Mounting float valve bracket)	† 54-8913-9
Float Assembly	83-6912-3
Water Strainer	2-6003-3
Mounting Studs, Water Pump (2)	† 50-1308-9
Nuts, For Mounting Studs (2)	† 54-2906-9
Washers, For Mounting Studs (2)	† 55-4459-9
ICE CHUTE GROUP	
Ice Chute Assembly	† 653681-9
Ice Chute Assembly (After SN 81030855)	655502-4
Damper Door Assembly	† 606811-4
Thumbscrew (Mounting chute to base)	† 50-1207-9
Damper Door Bin Switch	† 23-0079-9
Harvest Rack	† 603021-4
Damper Door Bushing	† 37-3006-9
Screw (Mounting harvest rack)	† 50-3015-9
EVAPORATOR ASSEMBLY	
Evaporator Assembly (Half dice cube)	† 682483-9
Evaporator Assembly (Dice cube)	† 682482-9
Evaporator Assembly (Regular cube)	† 682481-9
Top Evaporator Extrusion	† 606841-4
Bottom Evaporator Extrusion	† 10699-1
CABINET GROUP, PAINTED	
Outer Wrapper Assembly	† 650521-4
Back Panel	No Longer Available
Catch (On outer wrapper)	† 30-1506-9
Strike (On front panel)	† 30-1507-9
Front Panel	15009-1
Front Panel Trim	† 81-3486-3
Foam Tape (Mounting panel trim)	No Longer Available
Hex Head Mounting Screw	† 51-2464-9
CABINET GROUP, STAINLESS STEEL	
Front Panel Assembly	No Longer Available
Front Panel Trim	† 81-3486-3
Foam Tape (Mounting panel trim)	No Longer Available
Back Panel	No Longer Available
Outer Wrapper Assembly	No Longer Available
FOLLOWING PARTS USED ON 50 CYCLE CUBER ONLY — 230V	
Compressor	† 76-2028-3
Components For Copeland Compressor:	
Start Relay	† 15-0268-1
Overload	† 15-0273-1
Start Capacitor	85-0330-3
Components For Tecumseh Compressor AJ7465B:	
Start Relay	85-0382-3
Start Capacitor	85-0383-3
Components for Tecumseh Compressor AJ250JT-432-A4:	
Start Relay	85-0534-3
Start Capacitor	85-0535-3
Overload	85-0533-3
Water Pump with Bracket & Cover	† 76-2601-3
Solenoid Valve Complete (Alco)	24-0433-3
Solenoid Valve Coil (Alco)	No Longer Available
Fan Motor	No Longer Available
Solid State Timer Dual Voltage	† 24-0623-9

REMAINDER OF PARTS SAME AS STANDARD 60 CYCLE

*The component is part of or within item and figure given. It is not necessarily shown.

† Refer to Cross Reference Guide

INTENTIONALLY LEFT BLANK