



**Ice Machine Parts List for
E0600 Series Cuber
Models**

ED0602A

ED0603W

ED0692N

EY0604A

EY0605W

EY0694N

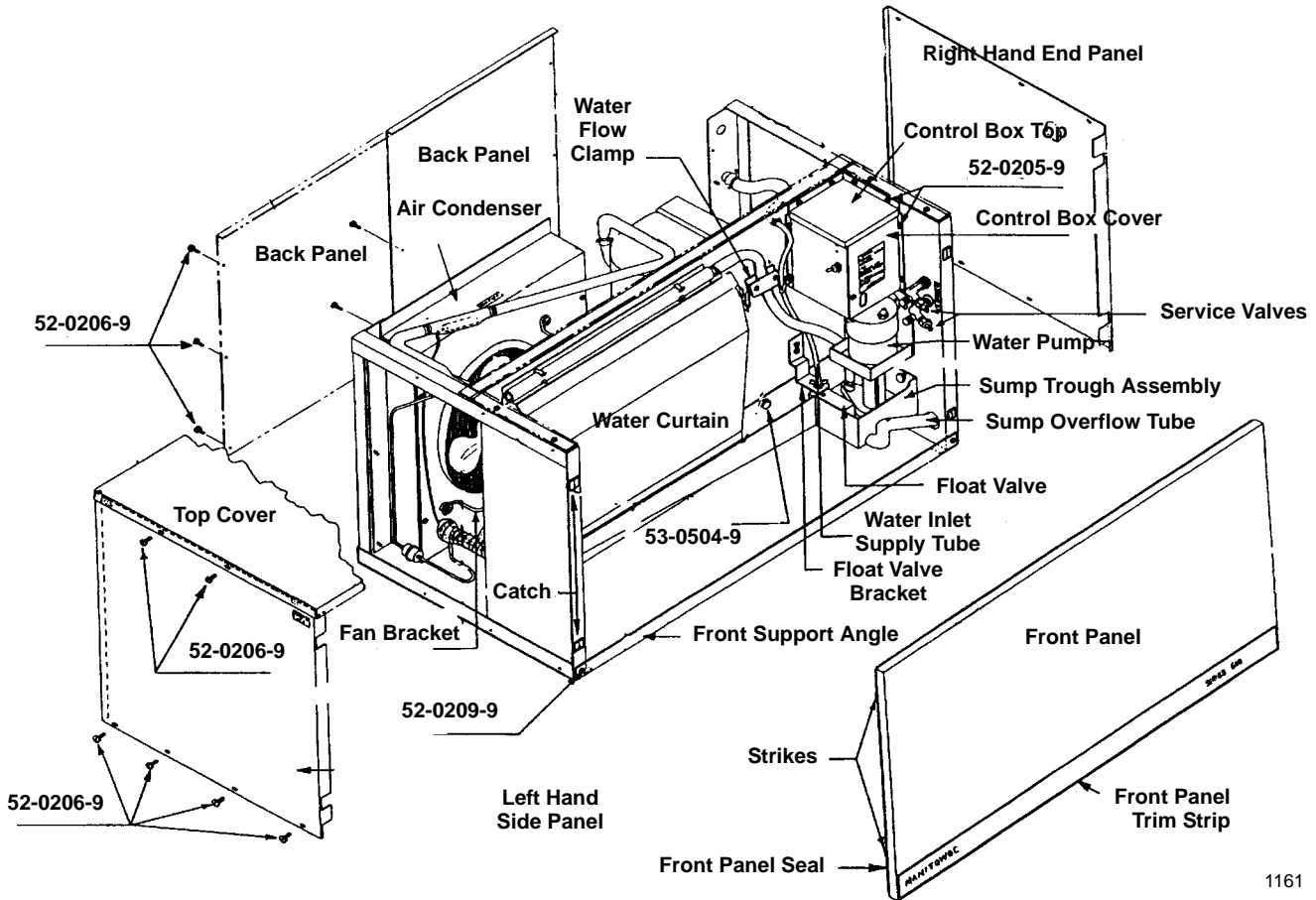
ER0600A

ER0601W

ER0690N

Manufactured February 1983 through December 1984

MODEL E0600



1161

OUTER PANELS - FAWN

Front Panel (Vinyl clad)	No Longer Available
Left Hand End Panel (Fawn)	No Longer Available
Right Hand End Panel (Fawn)	No Longer Available
Top Cover (Fawn)	683851-4

OUTER PANELS - STAINLESS STEEL

Front Panel (Stainless steel)	No Longer Available
Front Panel (S.S. with plain trim)	No Longer Available
Left Hand End Panel (Stainless steel)	† 686153-4
Right Hand End Panel (Stainless steel)	† 76-2159-3
Top Cover (Stainless steel)	No Longer Available

OUTER PANELS - COMMON PARTS

Back Panel	
(Air-cooled)	76-2020-3
Back Panel (Water-cooled)	76-2021-3
Back Panel (Remote)	76-2022-3
Front Panel Seal	† 92-0250-9
Front Panel Trim Strip	† 81-3487-3
Front Panel Trim Strip (Plain black)	† 81-3137-3
Screw #10-24 Slot Hex Head	
(Mounting outer panels) (Pkg. of 12)	† 52-0206-9
Strike and Catch Set (Pkg. of 4 each)	76-2029-3
Strikes Only (Pkg. of 25)	76-2063-3
Catches Only (Pkg. of 12)	76-2064-3

ICE MAKING COMPARTMENT

Air Condenser Assembly with	
Shroud-Fan Motor and Bracket	No Longer Available
Air Condenser (Less shroud)	No Longer Available

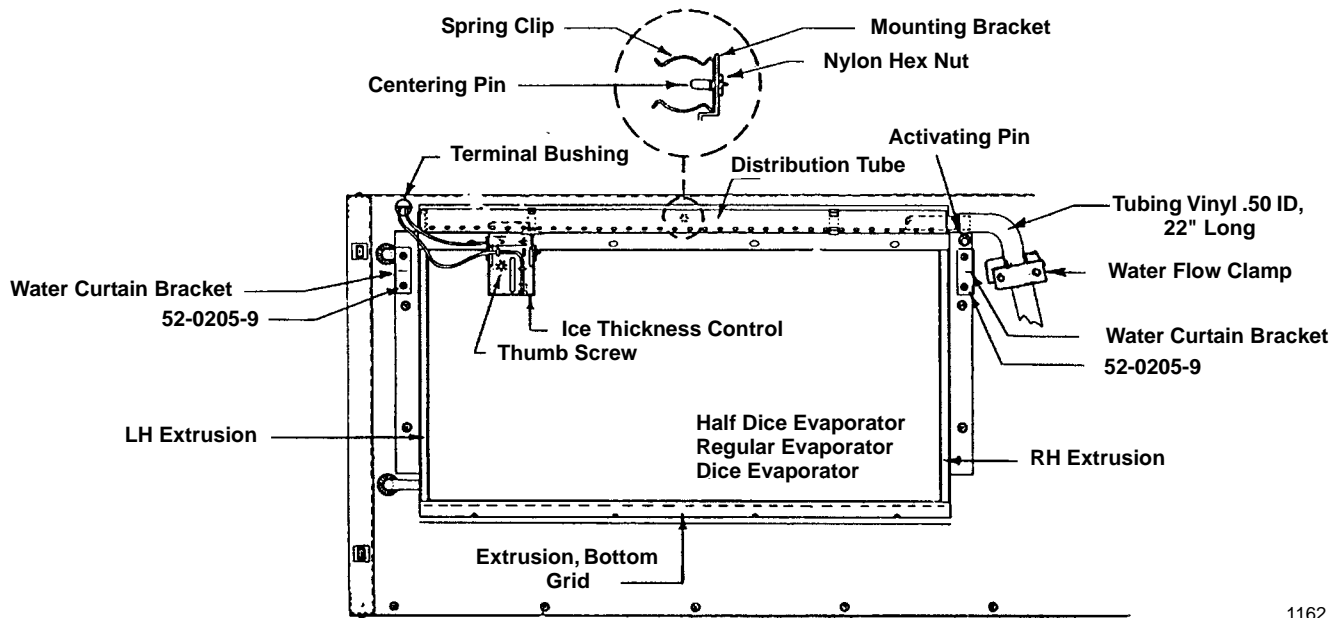
PART NO.

Control Box Cover	† 76-2150-3
Control Box Top	† 660771-4
Fan Motor 50/60 Hz	24-1235-3
Fan Blade	24-1608-3
Fan Bracket	34-0621-3
Float Valve (Less bracket)	† 83-6904-9
Float Valve Bracket before SN 840100000	† 617541-4
Float Valve Bracket after SN 84100000	† 76-2140-3
Front Support Angle	† 658031-9
Screw #10-24 Phillips Flat Head (Mounting front support angle) (Pkg. of 12)	† 52-0209-9
Screw #10-24 Phillips Head	
(Mounting control covers) (Pkg. of 12)	† 52-0205-9
Service Valves, High and Low Side	† 83-7310-9
Sump Trough Assembly	† 76-2008-3
Sump Overflow Tube	No Longer Available
Thumb Screw (Mounting sump trough)	† 53-0504-9
Water Curtain Assembly	† 76-2007-3
Water Curtain Hanger (White plastic)	† 56-5045-9
Water Flow Clamp Assembly	76-2054-3
Water Inlet Supply Tube 32" Long	44-2029-1
Water Inlet Strainer	† 12-6003-3
Water Pump 60 Hz 230V	† 76-2601-3
Splash Shield, Mylar (Not shown)	96-0088-3
Pump Delay Timer Kit (Not shown)	† 24-0642-3
Water Dump Solenoid Retrofit Kit	† 76-2308-3

PART NO.

† Refer to Cross Reference Guide

MODEL E0600, CONTINUED



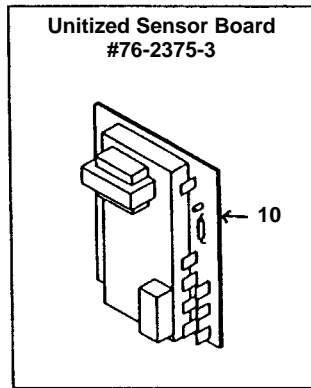
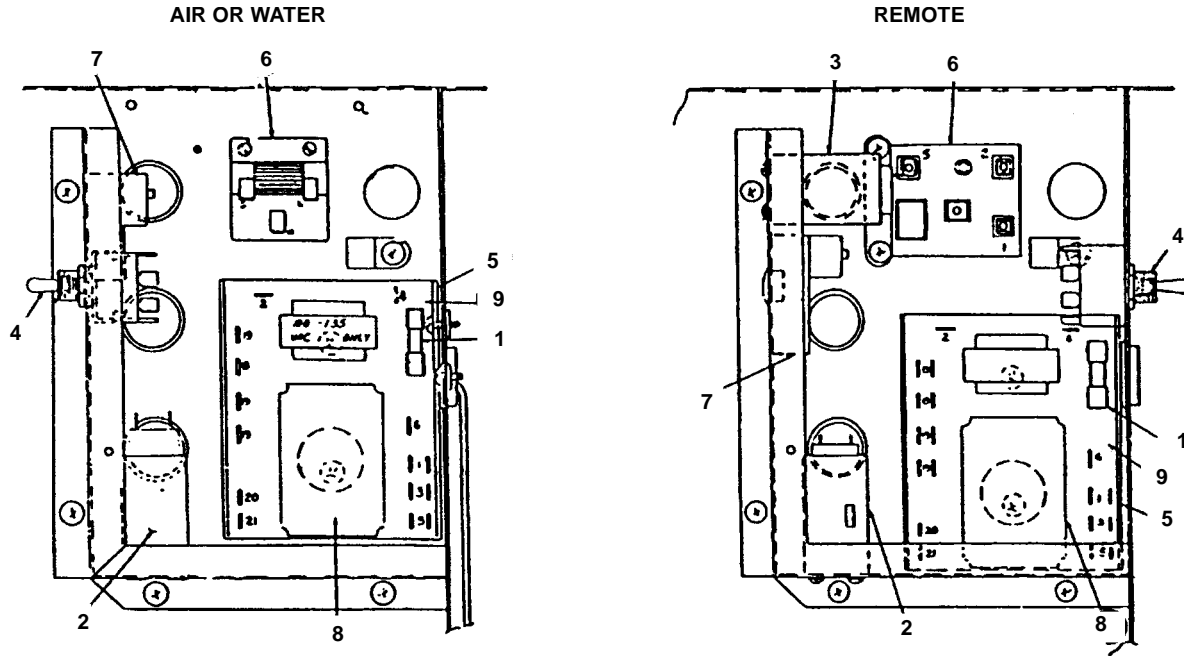
1162

EVAPORATOR GROUP

	PART NO.
Activating Pin Assembly	76-2025-3
Centering Pin	† 50-1313-9
Distribution Tube Assembly	76-2012-3
Distribution Tube Mounting Bracket Assembly	76-2050-3
Distribution Tube Spring Clip	† 56-5047-9
Evaporator with 11-1/4" Distance Between Inlet and Outlet All Air-cooled Units Prior to SN 840662010	
Regular Cube (Water-cooled prior to SN 841162840)	† 76-2075-9
Dice Cube (Water-cooled prior to SN 841160122)	† 76-2076-9
Half Dice Cube (Water-cooled prior to SN 840961605)	No Longer Available
Evaporator with 4-3/8" Distance Between Inlet and Outlet All Air-cooled After SN 8406620210	
Regular Cube (Water-cooled after SN 841162840)	† 76-2071-9
Dice Cube (Water-cooled after SN 841160122)	† 76-2072-9
Half Dice Cube (Water-cooled after SN 840961605)	† 76-2073-9
Extrusion, Bottom Grid	660721-4
Extrusion, Top Grid	† 663602-4
Extrusion, Left Hand Grid	† 625971-4
Extrusion, Right Hand Grid	† 625972-4
Ice Thick- ness Control	† 76-1996-3
Ice Thickness Control Bracket	618581-4
Ice Thickness Control Adjustment Screw	† 50-1210-9
Ice Thickness Control Mounting Bracket Screw	† 50-2237-9
Terminal Bushing	† 25-0207-3
Water Curtain Bracket, Set of RH and LH	† 76-2177-3
Water Flow Clamp Assembly	76-2054-3
Water Flow Plate (Early models only)	620781-4
Water Inlet Strainer	† 12-6003-3
Nylon Hex Nut	† 54-2945-9
Screw 10-24 Phillips Head	† 52-0205-9

† Refer to Cross Reference Guide

MODEL E0600, CONTINUED

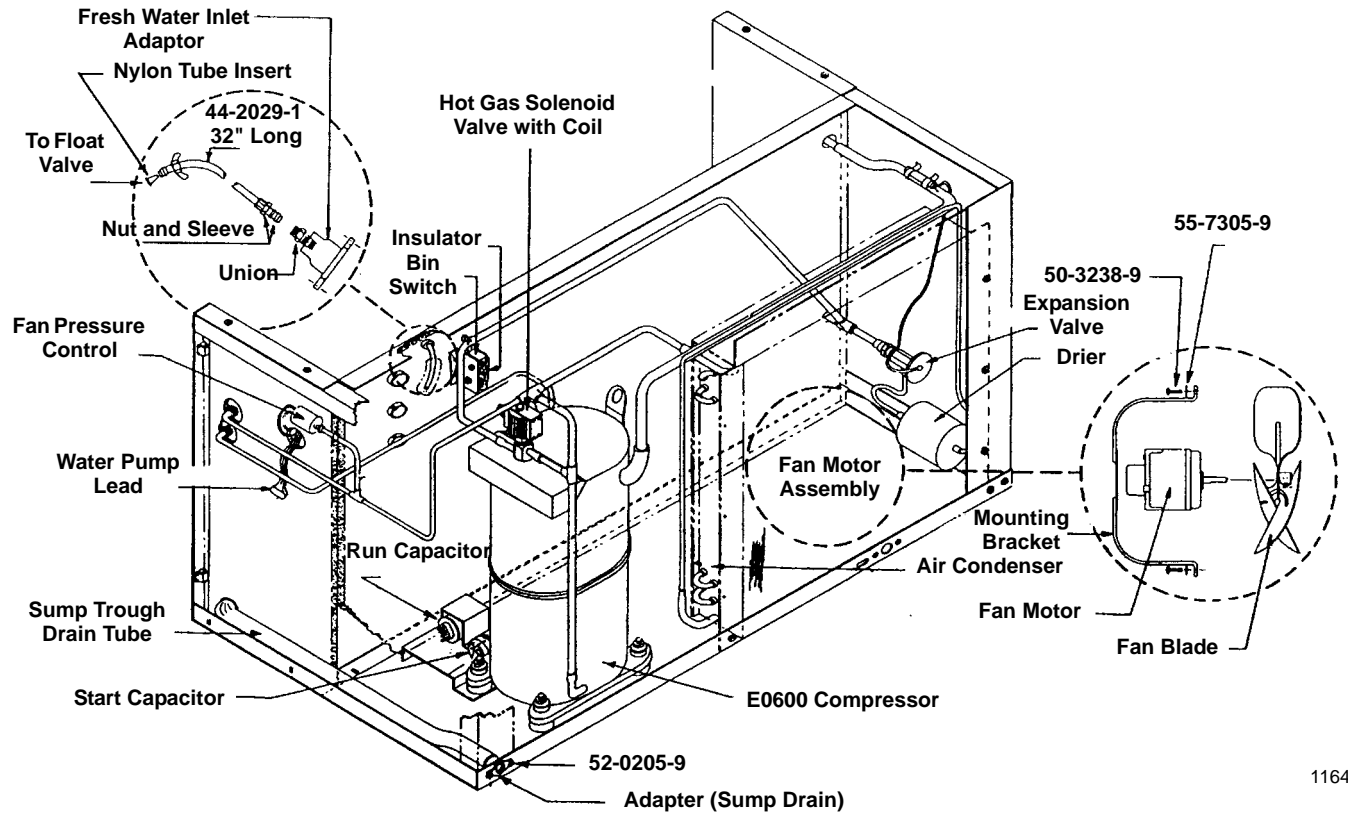


1163

	PART NO.
1 Fuse	† 25-1037-9
2 High Pressure Control (Cut-out)	23-5511-3
3 Low Pressure Control	23-5514-3
4 Main Toggle Switch	† 23-0084-9
5 Mounting Track for Board	44-0801-3
6 Start Relay 60 Hz	† 85-0367-3
7 Water Pump Delay Timer	† 24-0642-3
8 Sensor Module	Replace with † 76-2375-3
9 Transformer Board 230V	Replace with † 76-2375-3
10 Unitized Sensor Board 230V	† 76-2375-3

NOTE: Unitized Sensor Board is used to replace both the transformer board and the sensor module.

MODEL E0600 COMPRESSOR COMPARTMENT AIR-COOLED



1164

COMPRESSOR COMPARTMENT AIR-COOLED

	PART NO.
Adapter (Fresh water inlet)	600242-1
Adapter (Sump drain)	17-0602-1
Air Baffle	† 76-2195-3
Air Condenser Only	No Longer Available
Fan Shroud Assembly	No Longer Available
Bin Switch	† 23-0111-9
Bin Switch Mylar Insulation	619961-4
Drier	† 89-3027-9
Expansion Valve	† 83-6710-9
Fan Motor 50/60 Hz	† 76-2638-3
Fan Blade For Motors ESP-OL50EM2 & ESP-OL50EM28 Use	† 24-1608-9
Fan Blade For Motor K33HXCEJ-948 Use	24-1617-3
Fan Motor Bracket	34-0621-3
Fan Cycling Switch (Used on air-cooled units only)	† 23-0112-3
Hot Gas Solenoid Valve Assembly 50/60 Hz	† 24-0424-3
Hot Gas Solenoid Valve Coil Only 50/60 Hz - Sporlan	No Longer Available
Hot Gas Solenoid Coil Only - Alco	† 24-0448-3
Nut and Sleeve	83-6125-3
Nylon Tube Insert (In water supply tube at float valve)	† 44-2030-9
Sump Trough Drain Tube	No Longer Available
Union (For water inlet adapter)	13-6096-1
Screw 1/4 x 1.75 Machine (Mounting fan bracket to condenser)	† 50-3358-9
Screw 10-24 Phillips Head (Mounting fresh water inlet adapter) (Pkg. of 12)	† 52-0205-9

	PART NO.
Washer 1/4 ID (Mounting fan bracket to condenser)	† 55-7305-9
Water Pump Lead (With female plug)	† 20-7311-3

E0600 COMPRESSOR COMPLETE W/ELECTRICAL COMPONENTS

Compressor 50 Hz 230V	No Longer Available
Compressor 60 Hz 220V	No Longer Available

E0600 COMPRESSOR ELECTRICAL COMPONENTS Compressor, 50 Hz

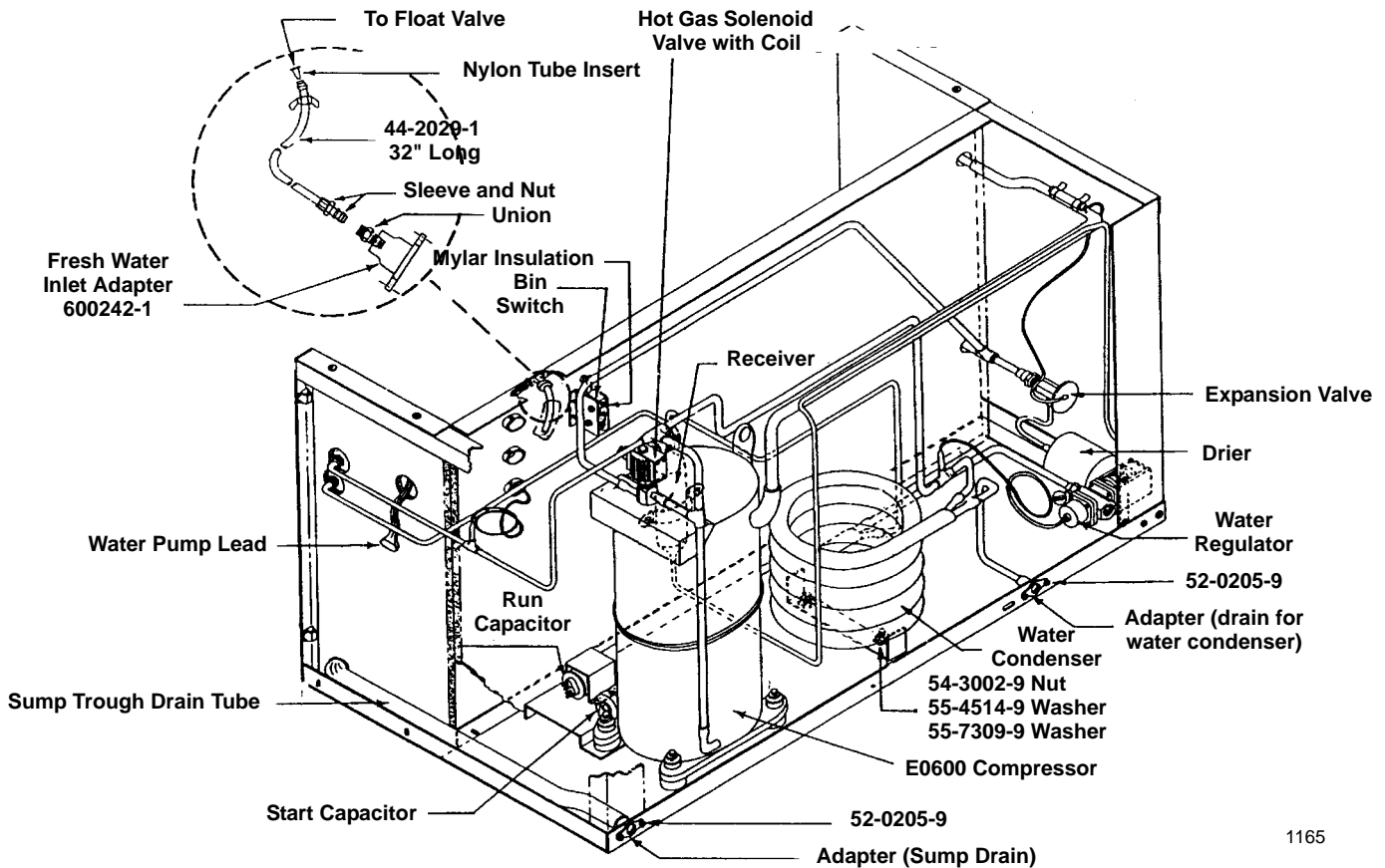
Relay	85-0322-3
Start Capacitor	85-0321-3
Run Capacitor	† 85-0341-3
Overload	85-0319-3
Copeland Compressor, 60 Hz	† 76-2036-3
Relay	† 85-0367-3
Start Capacitor	† 85-0422-3
Run Capacitor	† 85-0341-3
Overload	15-0236-1
Bristol Compressor, 60 Hz	† 76-2036-3
Relay	85-0436-3
Start Capacitor	85-0364-3
Run Capacitor	† 85-0341-3

ELECTRICAL MOUNTING PARTS

Start Capacitor Cap	85-0308-3
Start Capacitor Mounting Bracket	85-0309-3

† Refer to Cross Reference Guide

MODEL E0600 COMPRESSOR COMPARTMENT WATER-COOLED



1165

	PART NO.
Receiver	12-0003-1
Adapter (Fresh water inlet)	600242-1
Adapter (Drain for water condenser)	87-0610-3
Adapter (Sump drain)	17-0602-1
Bin Switch	† 23-0111-9
Bin Switch Mylar Insulation	619961-4
Drier	† 89-3027-9
Expansion Valve	† 83-6710-9
Hot Gas Solenoid Valve Assembly 50/60 Hz	† 24-0424-3
Hot Gas Solenoid Valve Coil (Only) 50-60 Hz - Sporlan	No Longer Available
Hot Gas Solenoid Coil Only - Alco	† 24-0448-3
Nut 3/8-16 Hex (2 per) (Mounting water condenser)	† 54-3002-9
Nylon Tube Insert (In water supply tube at float valve)	† 44-2030-9
Screw 10-24 Phillips Head (Mounting water inlet adapter) (Pkg. of 12)	† 52-0205-9
Sleeve and Nut	83-6125-3
Sump Trough Drain Tube	No Longer Available
Union (For fresh water inlet adapter)	13-6096-1
Washer 3/8 Lock (2 per) (Mounting water condenser)	† 55-4514-9
Washer 3/8 Flat (2 per) (Mounting water condenser)	† 55-7309-9
Water Condenser	† 88-6533-3
Water Pump Lead (With female plug)	† 20-7311-3
Water Regulator	† 83-7206-9

PART NO. **E0600 COMPRESSOR COMPLETE W/ELECTRICAL COMPONENTS**

Compressor 50 Hz 230V	No Longer Available
Compressor 60 Hz 220V	No Longer Available

E0600 COMPRESSOR ELECTRICAL COMPONENTS

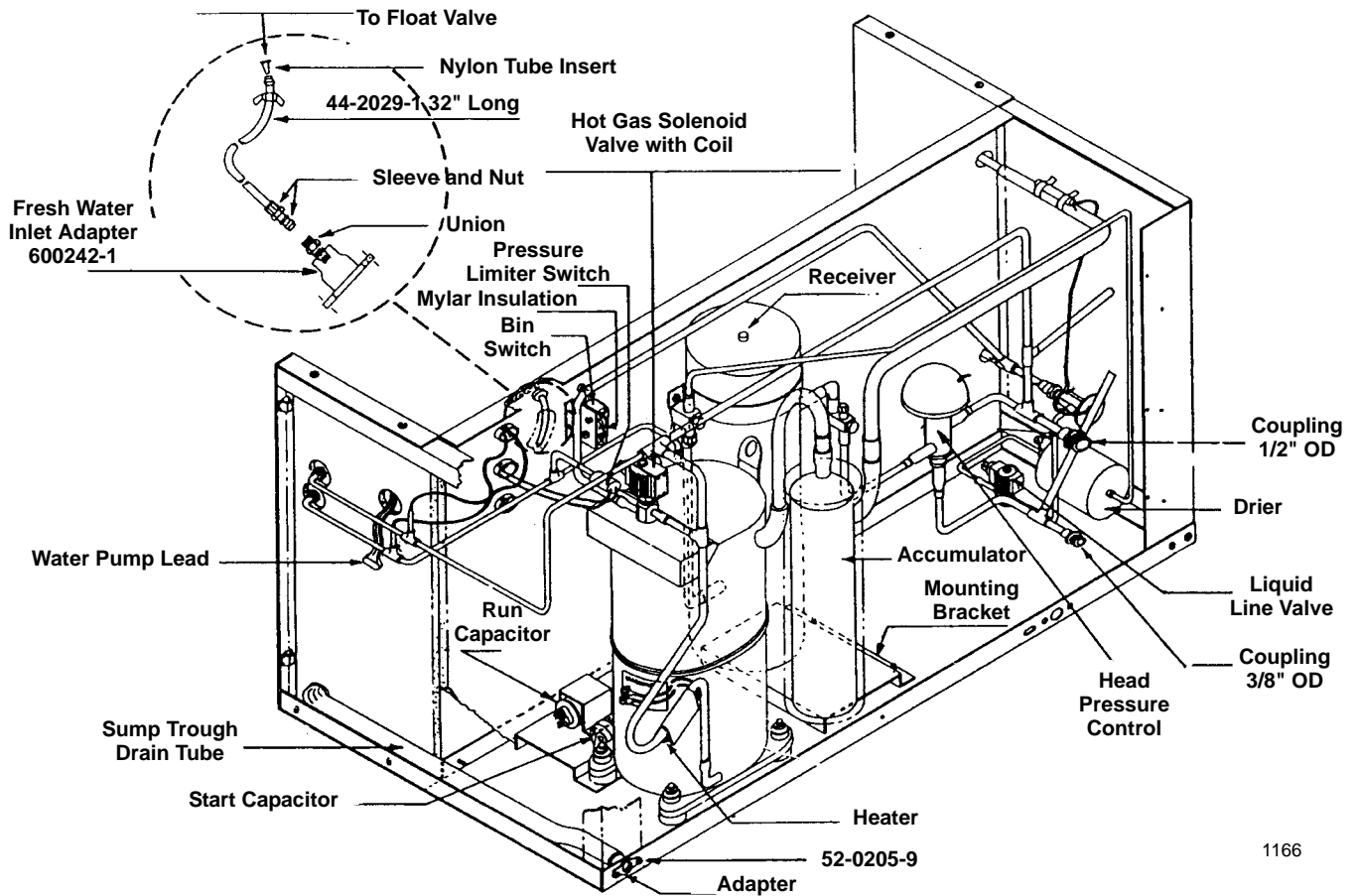
Compressor, 50 Hz	No Longer Available
Relay	85-0322-3
Start Capacitor	85-0321-3
Run Capacitor	† 85-0341-3
Overload	85-0319-3
Copeland Compressor, 60 Hz	No Longer Available
Relay	† 85-0367-3
Start Capacitor	† 85-0422-3
Run Capacitor	† 85-0341-3
Overload	15-0236-1
Bristol Compressor, 60 Hz	No Longer Available
Relay	85-0436-3
Start Capacitor	85-0364-3
Run Capacitor	† 85-0341-3

ELECTRICAL MOUNTING PARTS

Start Capacitor Cap	85-0308-3
Start Capacitor Mounting Bracket	85-0309-3

† Refer to Cross Reference Guide

MODEL E0600 COMPRESSOR COMPARTMENT REMOTE



1166

E0600 COMPRESSOR COMPLETE W/ELECTRICAL COMPONENTS

	PART NO.
Compressor 50 Hz 230V	No Longer Available
Compressor 60 Hz 220V	No Longer Available

E0600 COMPRESSOR ELECTRICAL COMPONENTS

Compressor, 50 Hz.	No Longer Available
Relay	85-0322-3
Start Capacitor	85-0321-3
Run Capacitor	† 85-0341-3
Overload	85-0319-3
Copeland Compressor, 60 Hz.	† 76-2036-3
Relay	† 85-0367-3
Start Capacitor	† 85-0422-3
Run Capacitor	† 85-0341-3
Overload	15-0236-1
Bristol Compressor, 60 Hz	† 76-2036-3
Relay	85-0436-3
Start Capacitor	85-0364-3
Run Capacitor	† 85-0341-3

ELECTRICAL MOUNTING PARTS

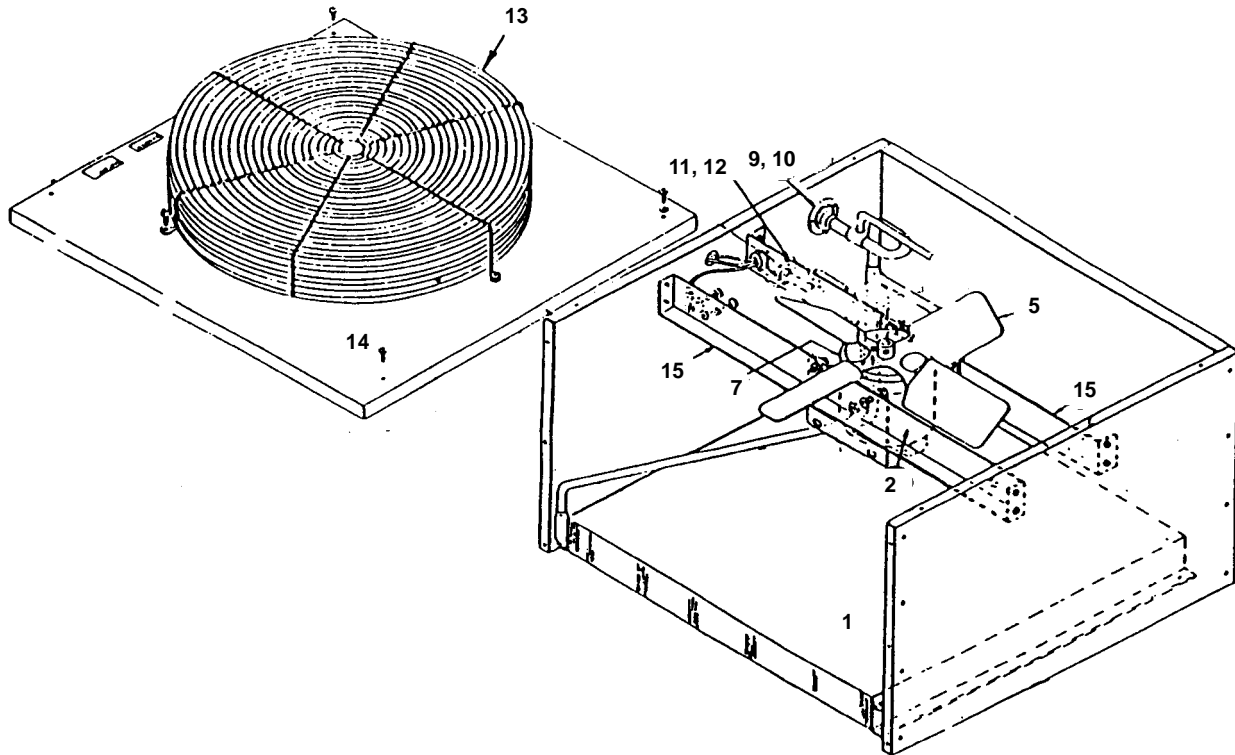
Start Capacitor Cap	85-0308-3
Start Capacitor Mounting Bracket	85-0309-3
Accumulator	† No Longer Available
Adapter (Fresh water inlet)	† 87-0609-3
Adapter (Sump drain).	17-0602-1
Bin Switch	† 23-0111-9
Bin Switch Mylar Insulation	619961-4

Coupling 3/8" OD	† 83-6034-3
Coupling 1/2" OD	† 83-6035-3
Coupling "0" Ring for 83-6035-3	† 83-6012-9
Coupling "0" Ring for 83-6034-3	† 83-6013-9
Drier	† 89-3027-9
Expansion Valve	† 83-6710-9
Fresh Water Inlet Supply Tube	44-2029-1
Head Pressure Control	† 83-6804-9
Heater (On discharge line).	† 76-2013-3
Hot Gas Solenoid Valve Assembly	
50 and 60 Hz 220V	† 24-0424-3
Hot Gas Solenoid Valve Coil Only	
50 and 60 Hz 220V - Sporlan	No Longer Available
Hot Gas Solenoid Coil Only - Alco.	† 24-0448-3
Liquid Line Pump Down Valve	
50 and 60 Hz 220V	No Longer Available
Liquid Line Pump Down Valve Coil Only	
50 and 60 Hz 220V	No Longer Available
Mounting Bracket (For receiver and accumulator)	No Longer Available
Nylon Tube Insert	
(in water supply tube at float valve).	† 44-2030-9
Pressure Limiter Switch	23-0113-3
Receiver	† 76-2958-3
Screw #10-24 Phillips Head (Mounting fresh water inlet adapter) (Pkg. of 12)	† 52-0205-9
Sleeve and Nut (Fresh water inlet)	83-6125-3
Sump Trough Drain Tube	No Longer Available
Union (Fresh water inlet)	13-6096-1
Water Pump Lead with Female Plug	† 20-7311-3

NOTE: For 50 cycle parts, see Page 9.

† Refer to Cross Reference Guide

AC0695 REMOTE CONDENSER



1167

		PART NO.
1	Air Condenser	† 88-5063-9
2	Fan Motor, 60 Hz For dual bracket mount	† 76-2941-3
2	Fan Motor, 50 Hz For dual bracket mount	† 76-2941-3
3	Fan Capacitor for Dual Bracket Fan Motor	85-0335-3
4	Fan Capacitor for Single Bracket Fan Motor	24-1502-3
5	Fan Blade for Single Bracket Fan Motor.	24-1604-3
6	Fan Blade for Dual Bracket Fan Motor	24-1611-3
7	Rain Slinger	24-1505-3
8	Toggle Switch up to SN 82020001	No Longer Available
8	Toggle Switch After SN 82020001	No Longer Available
9	Coupling Assembly, Male 1/2"	† 83-6035-3
10	Mounting Flange 1/2"	83-6006-3
11	Coupling Assembly, Male 3/8"	† 83-6034-3
12	Mounting Flange 3/8"	83-6005-3
13	Fan Grill	34-0064-3
14	Top Cover	† 601775-1
15	Base Bracket	† 601768-1
16	Female Coupling Kit (Not shown)	07-0062-3
17	Valve Access Fitting Core	† 13-7305-9

NOTE: If unit has a fan motor mounting on a single bracket, use replacement kit #76-1984-3 for 60 Hz unit (#76-1985-3 for 50 Hz). This kit includes new fan motor, capacitor, blades, dual brackets and all necessary hardware for installation.

† Refer to Cross Reference Guide

E0600 MISCELLANEOUS

	PART NO.
Fawn Touch Up Paint (Spray can)	94-0093-1
Ice Machine Cleaner	94-0546-3
Complete Cartoning Assembly	† 71-0796-9

50 Hz Models Only

Use same parts as previously listed for standard E0600 ice cuber with the following exception.

Fan motor.	† 76-2638-3
Water pump	† 76-2601-3
Compressor	No Longer Available
Relay	85-0322-3
Start Capacitor	85-0321-3
Overload Protector	85-0319-3
Run Capacitor	† 85-0341-3

INTENTIONALLY LEFT BLANK