



**Ice Machine Parts List for
Series G-0150 Cuber Models**

GR-0150A

GD-0153W

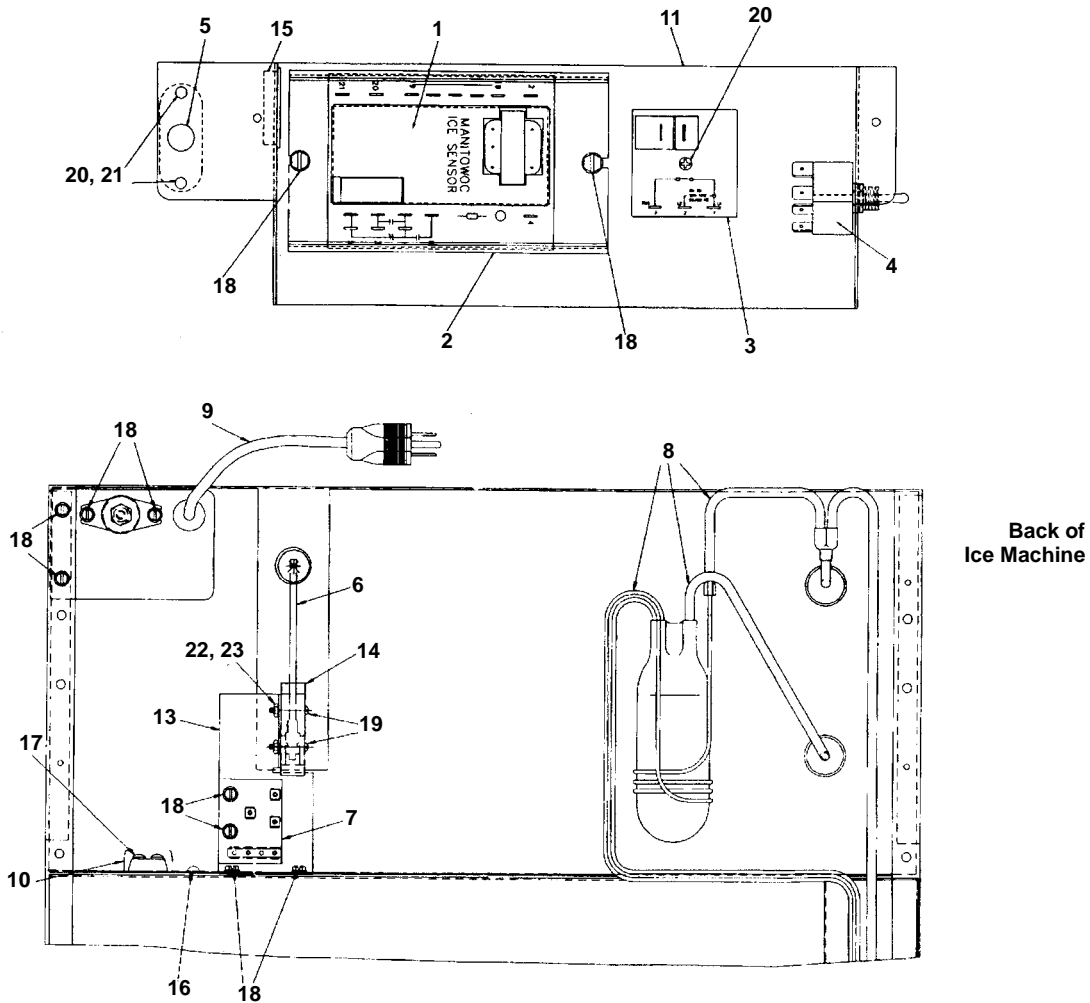
GD-0152A

R-502 System

GR-0151W

Manufactured June 1991 through May 1993

G-0150 CONTROL BOX

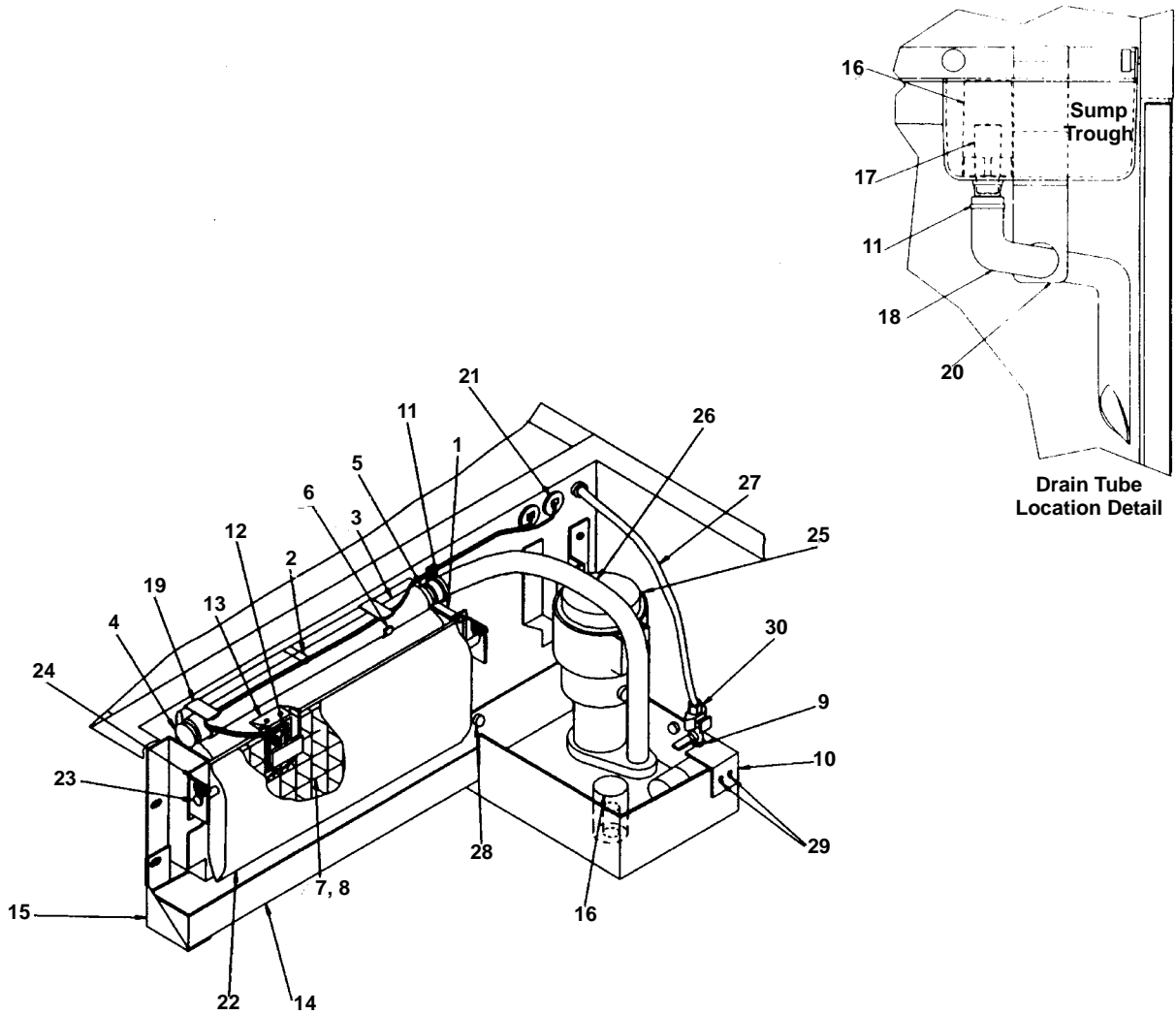


1191

	PART NO.
1 Unitized Sensor Board	† 76-2376-3
2 Mounting Channel	44-0846-3
3 7 Second Delay Relay	† 24-0816-3
4 Toggle Switch	† 23-0084-9
5 High Pressure Control	† 23-5524-3
6 Bin Switch	† 23-0111-9
7 Terminal Board	25-1045-3
8 Cap Tube/Heat Exchange Assembly	76-2395-3
9 Power Cord	20-3067-3
10 Terminal Block, 50 Hz Only	25-1023-3
11 Control Box	688931-4
12 Control Box Cover	† 76-2452-3
13 Bin Switch Bracket	629611-4
14 Bin Switch Insulation	619961-4
15 Bushing	† 25-0013-9
16 Screw, Grounding, #10-24 x .50	† 50-2932-9
17 Screw, #10-24 x .625	† 52-0205-9
18 Screw, #10-24 x .50	† 52-0206-9
19 Screw, #6-32 x 1	† 50-2329-9
20 Screw, #8-32 x 1.25	† 50-2668-9
21 Nut, #8-32 Hex	† 54-2906-9
22 Nut, #6-32 Hex	† 54-2878-9
23 Lockwasher, #6 Internal Tooth	† 55-4454-9

† Refer to Cross Reference Guide

G-0150 EVAPORATOR COMPARTMENT

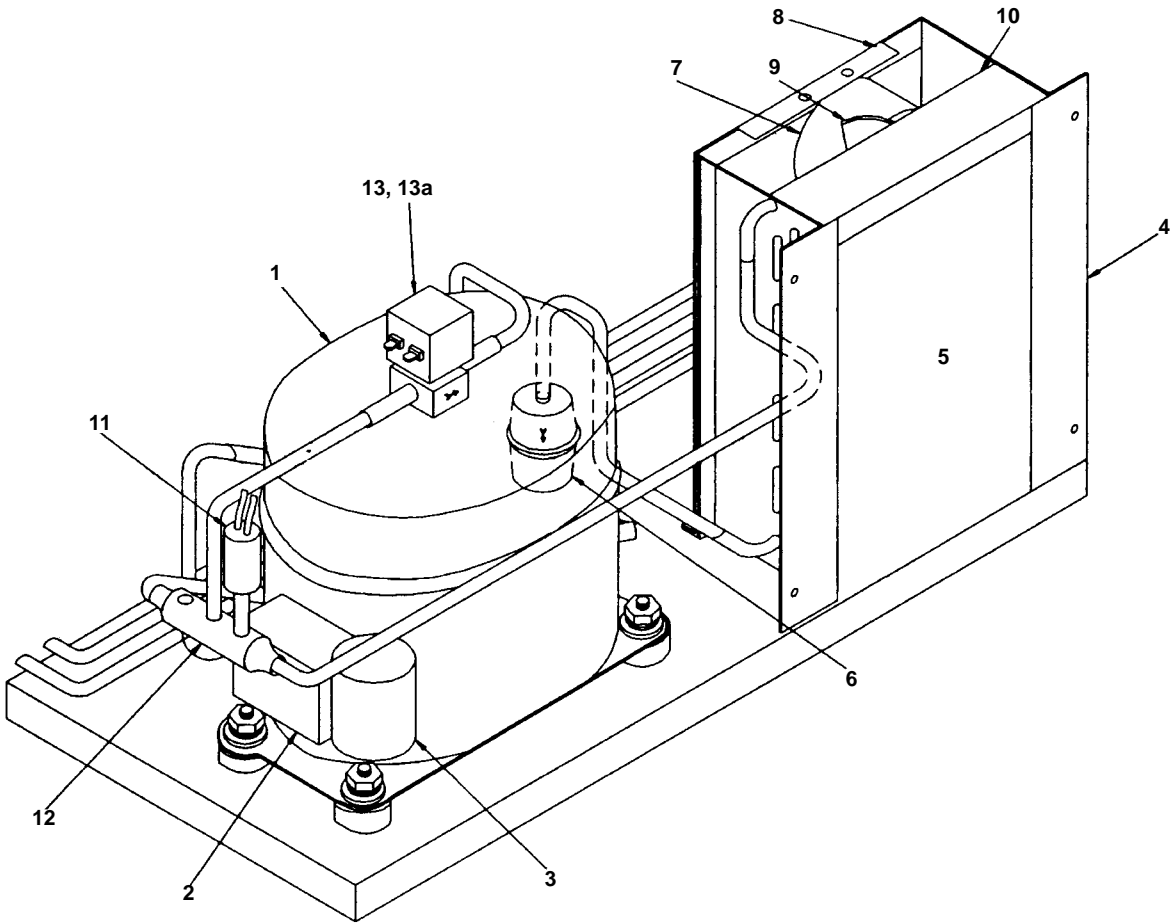


1192

		PART NO.			PART NO.
1	Activating Pin	76-2025-3	17	Flush Tube	43-0223-3
2	Centering Pin	† 50-1313-9	18	Drain Tube	44-2062-3
3	Distribution Tube Assembly	76-2040-3	19	Probe Wire Bracket	† 76-2451-3
4	Distribution Tube End Plug	† 44-0820-9	20	Drain Tube Bracket	600025-1
5	Distribution Tube Seal	† 44-0821-9	21	Terminal Bushing	† 25-0207-3
6	Distribution Tube Spring Clip	† 56-5047-9	22	Water Curtain	687841-4
7	Evaporator, Regular Cube	No Longer Available	23	Water Curtain Hangers	† 56-5045-9
8	Evaporator, Dice Cube	No Longer Available	24	Water Curtain Brackets	† 76-2177-3
9	Float Valve Assembly	† 83-6904-9	25	Water Pump	† 76-2306-3
10	Float Valve Bracket	629231-4	26	Tubing, 3/4" OD	† 44-2033-3
11	Hose Clamp	† 56-5064-9	27	Tubing, 1/4" OD	44-2029-1
12	Ice Thickness Control	† 76-1996-3	28	Thumbscrew, Plastic	† 53-0504-9
13	Ice Thickness Control Bracket	618581-4	29	Wing Nut #8-32 SS	† 54-8913-9
14	Sump Trough	No Longer Available	30	Compression Nut	† 56-5072-9
15	Sump Support Bracket	600107-1	31	Union	13-6096-1
16	Flush Cap	43-0222-3	32	Water Inlet Adapter	600242-1

† Refer to Cross Reference Guide

G-0150 AIR-COOLED

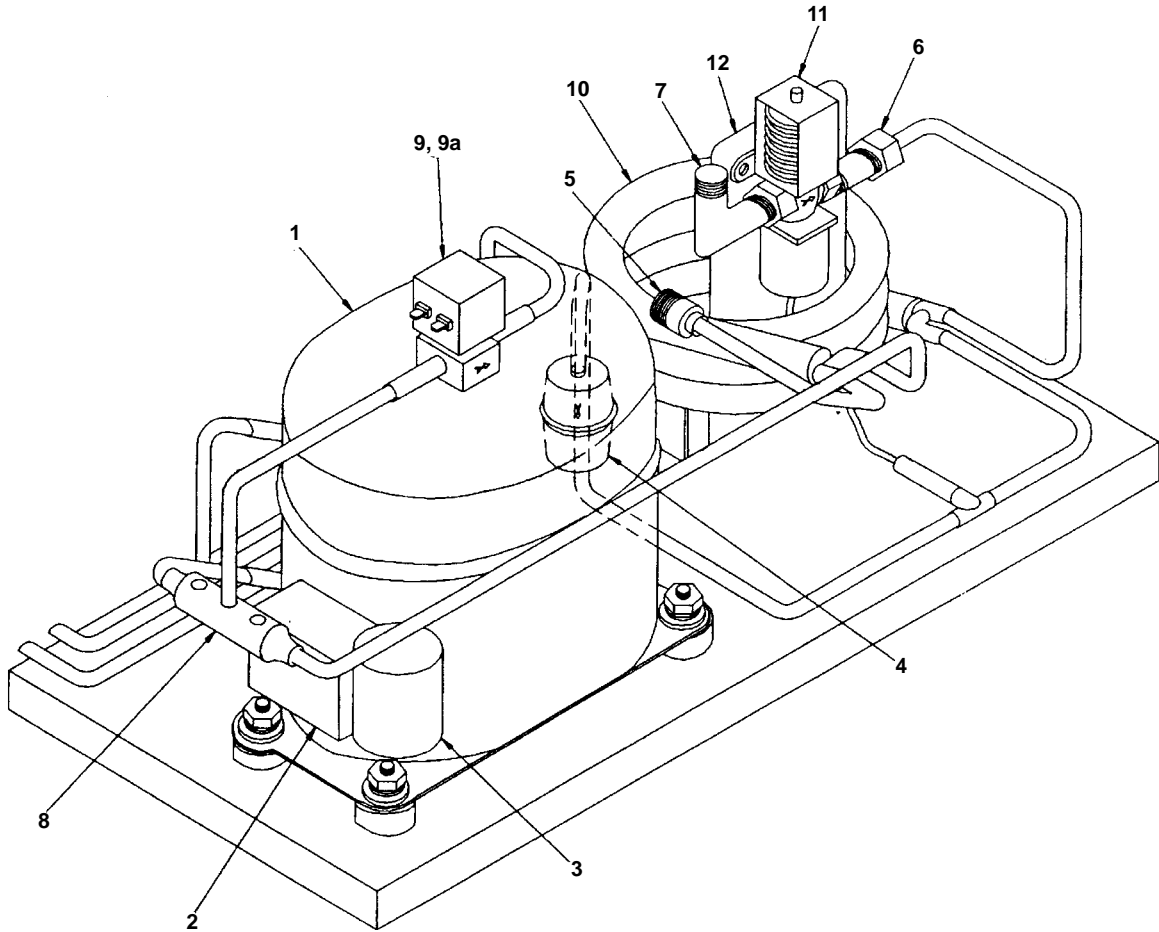


1193

		PART NO.
1	Compressor	† 76-2369-3
2	Start Relay	85-0408-3
3	Start Capacitor	82-5102-3
4	Air Condenser Shroud Assembly	76-2368-3
5	Air Condenser Only	88-5056-3
6	Drier	† 89-3025-9
7	Fan Motor	† 24-1287-3
8	Fan Motor Mounting Bracket	665511-4
9	Fan Blade	24-1613-3
10	Fan Shroud	665501-4
11	Fan Pressure Control	23-0115-3
12	Manifold	83-1014-3
13	Solenoid Valve	No Longer Available
13a	Coil for Jakes Evans	24-0508-3

† Refer to Cross Reference Guide

G-0150 WATER-COOLED

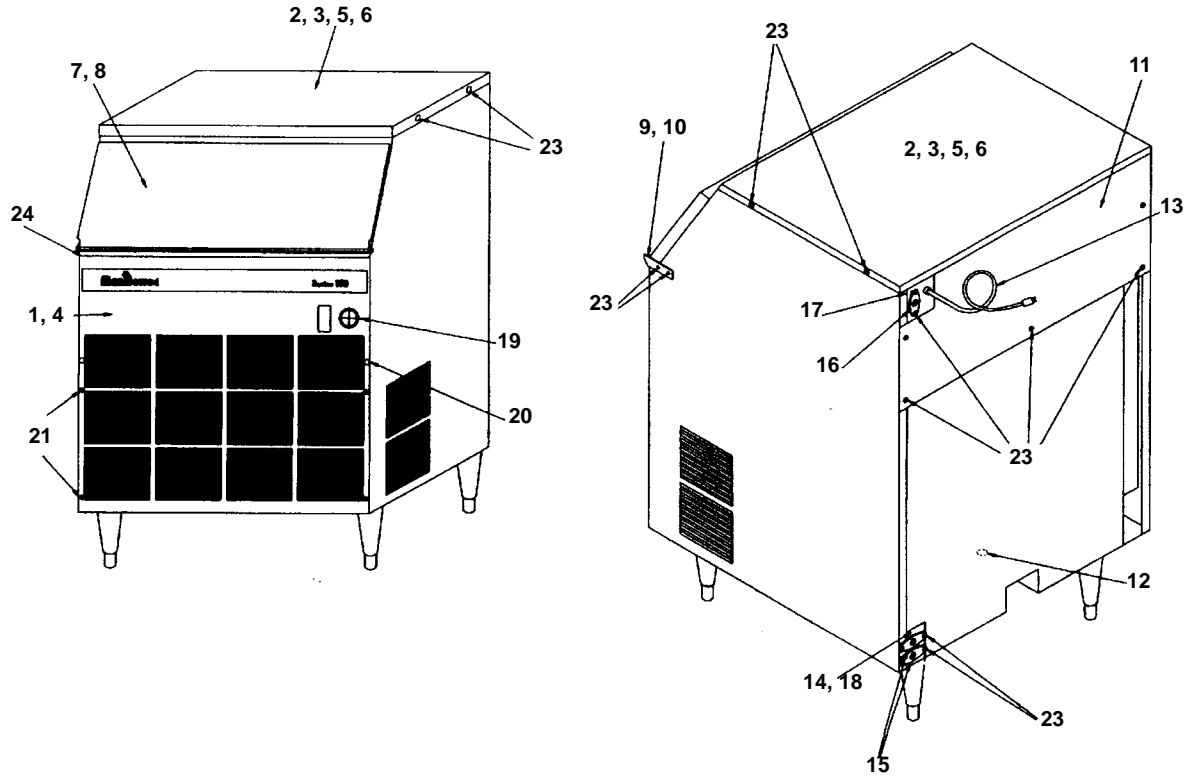


1194

	PART NO.
1 Compressor	† 76-2369-3
2 Start Relay	85-0408-3
3 Start Capacitor	82-5102-3
4 Drier	† 89-3025-9
5 Adapter	87-0610-3
6 Brass Flare Nut	† 13-3014-9
7 Elbow Half Union	No Longer Available
8 Manifold	83-1014-3
9 Solenoid Valve	No Longer Available
9a Coil for Jakes Evans	24-0508-3
10 Water Condenser	† 88-6522-7
11 Water Regulating Valve	76-2370-3
12 Water Regulating Valve Mounting Bracket	666221-4

† Refer to Cross Reference Guide

G-0150 OUTER PANELS



1195

FAWN

	PART NO.
1 Front Panel*	76-2365-3
2 Top Cover Before SN 911161055	76-2366-3
3 Top Cover After SN 911161055	76-2446-3

STAINLESS STEEL

4 Front Panel*	76-2364-3
5 Top Cover Before SN 911161055	76-2367-3
6 Top Cover After SN 911161055	76-2447-3

COMMON PARTS

7 Bin Door, Stainless Steel	No Longer Available
8 Bin Door, Black Plastic	† 76-2445-3
9 Hinges for Stainless Steel Bin Door	76-2448-3
10 Hinges for Black Plastic Door	† 76-2441-3
11 Upper Back Panel	† 76-2453-3
12 Bin Drain Seal	76-2322-3
13 Power Cord	20-3067-3
14 Water Condenser Fitting Bracket	629621-4
15 Condenser Fitting Adapter	87-0610-3
16 Water Inlet Adapter (Brass)	† 87-0609-3
16a Water Inlet Union (Plastic)	13-6096-1
17 Inlet Adapter Bracket	630701-4
18 Cover Plate (Air-cooled only)	600147-1
19 Bushing	† 25-0013-9
20 Bumpon	† 43-0004-9
21 Screw for Front Panel	† 50-2624-9
22 Cage Nut (For front panel screw)	† 54-2910-9
23 Screw, #10-24 x .50 Hex HD	† 52-0206-9
24 Trim - Door Opening	665911-4
25 Screw For Trim	† 51-2164-9
26 Cartoning Assembly	† 71-0975-9
*When ordering for units prior to SN 911161055 also order trim assembly	76-2497-3

† Refer to Cross Reference Guide

G-0150 CYCLE APPLICATIONS

All Parts Are the Same as Standard Model with the Following Exceptions:

230V/50 HZ APPLICATION

PART NO.

Compressor Assembly - 230V, 50/60 HZ.	No Longer Available
Power Cord	20-3094-3
Toggle Switch.	23-0119-3
Hot Gas Solenoid Valve	No Longer Available
Fan Motor.	† 24-1288-3
Terminal Block	25-1023-3
Unitized Sensor Assembly	† 76-2396-3
Water Pump	† 76-2601-3
Start Relay	85-0442-3
Start Capacitor	85-0443-3

220V/60 CYCLE APPLICATION

Compressor Assembly - 230V, 50/60 HZ.	No Longer Available
Power Cord	20-3067-3
Hot Gas Solenoid Valve	No Longer Available
Fan Motor.	† 24-1288-3
Unitized Sensor Assembly	† 76-2375-3
Water Pump	† 76-2601-3
Start Relay	85-0442-3
Start Capacitor	85-0443-3

INTENTIONALLY LEFT BLANK

Rev (07/02)