



**Ice Machine Parts List for
Series G-0200 Cuber Models**

GR-0200A

GD-0203W

GD-0202A

GY-0205W

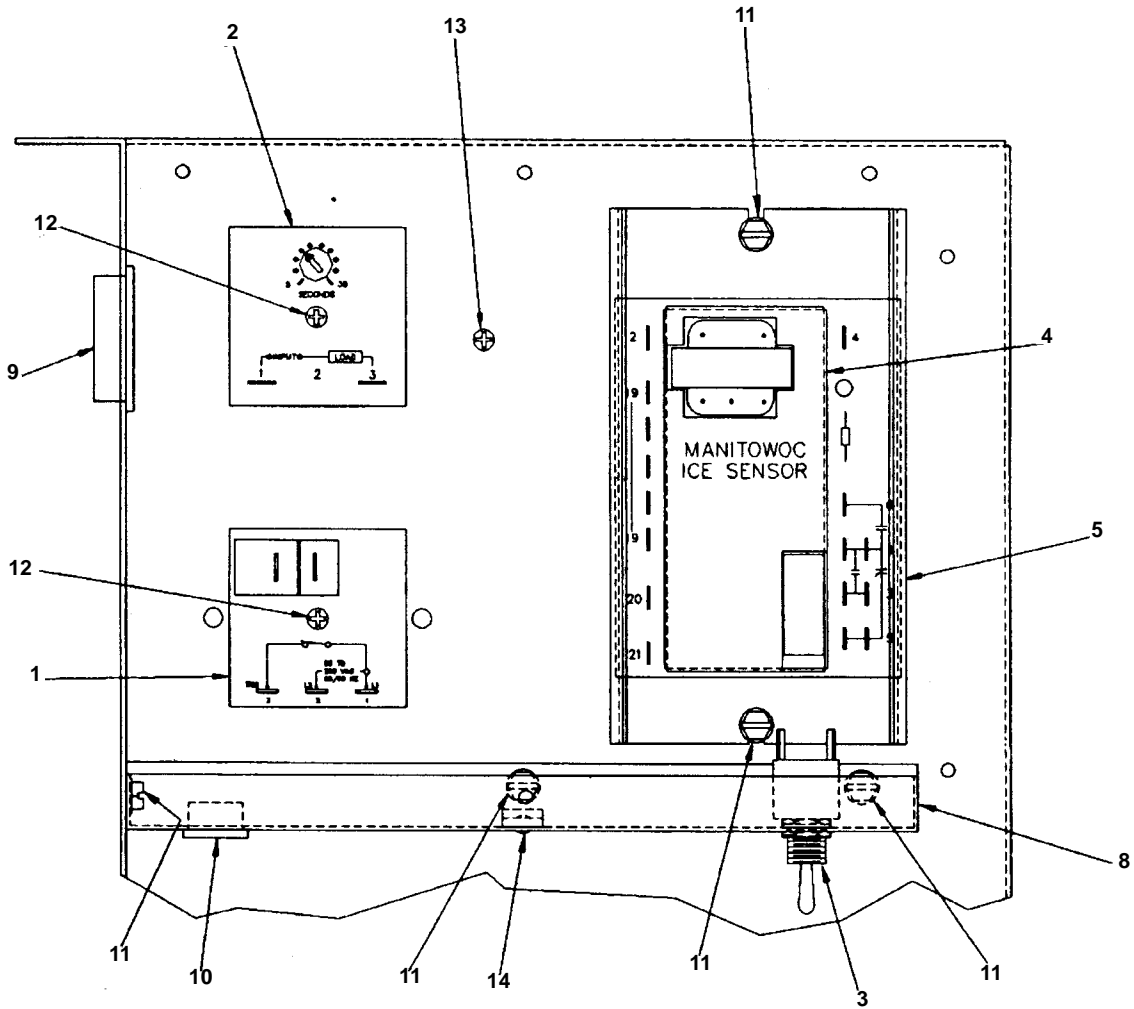
GY-0204A

R-502 System

GR-0201W

Manufactured January 1991 through May 1993

G-0200 CONTROL BOX

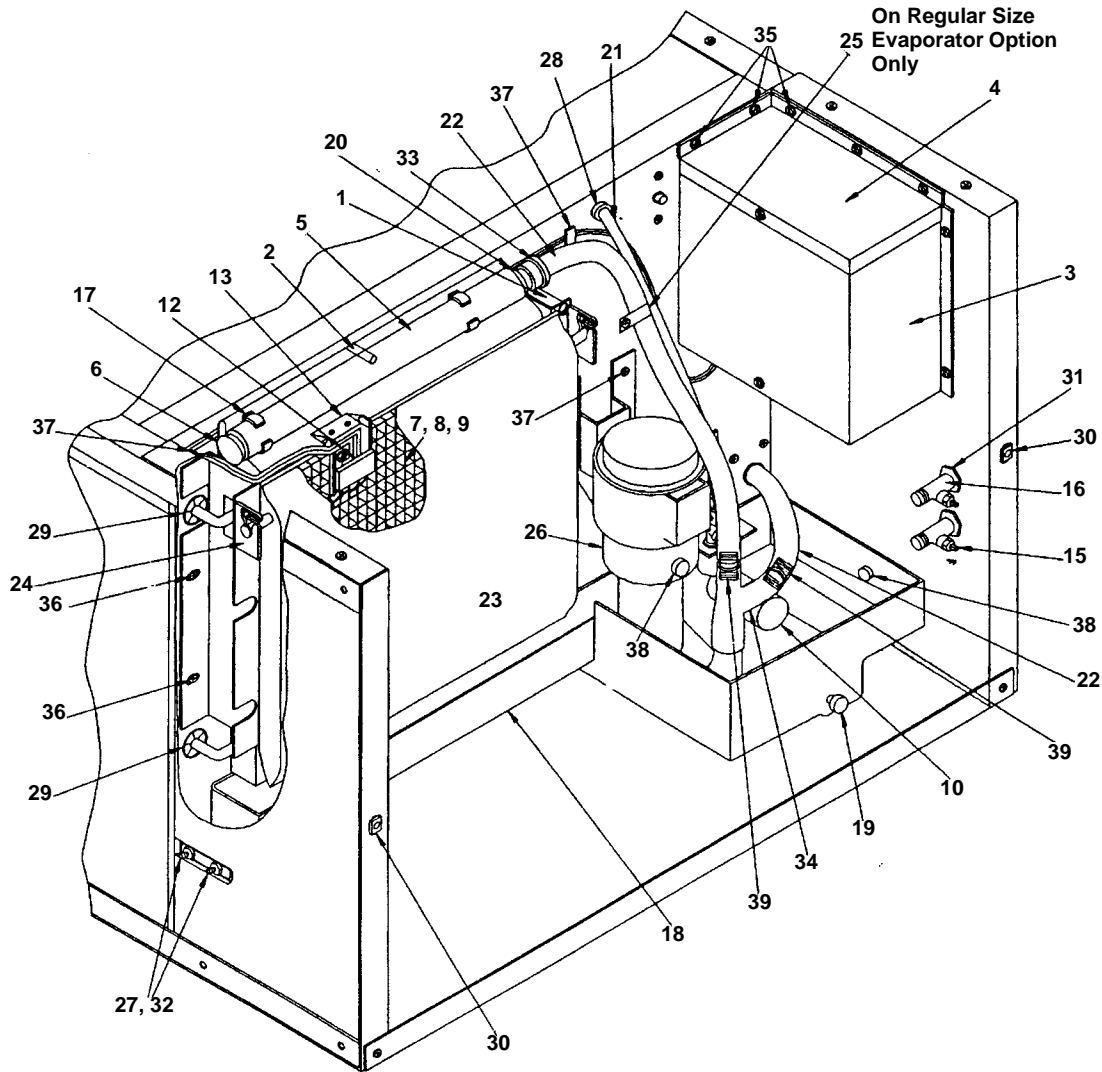


1201

	PART NO.
1 Delay Relay, 7 Second	† 24-0816-3
2 Pump Delay Relay	† 24-0642-3
3 Toggle Switch	† 23-0084-9
4 Unitized Sensor Assembly	† 76-2376-3
5 Mounting Channel.	44-0846-3
6 Control Box, Top Cover.	631551-4
7 Control Box, Side Cover	631531-4
8 Control Box, Bottom Cover.	631541-4
9 Bushing for 1-1/2" Hole.	† 25-0013-9
10 Bushing for 5/8" Hole	† 25-0016-9
11 Screw, #10-24 x .50	† 52-0206-9
12 Screw, #8-32 x 1.25	† 50-2668-9
13 Screw, #10-24 x .50 Grounding	† 50-2932-9
14 Nylon Spring Clip	† 56-5069-9

† Refer to Cross Reference Guide

G-0200 EVAPORATOR COMPARTMENT

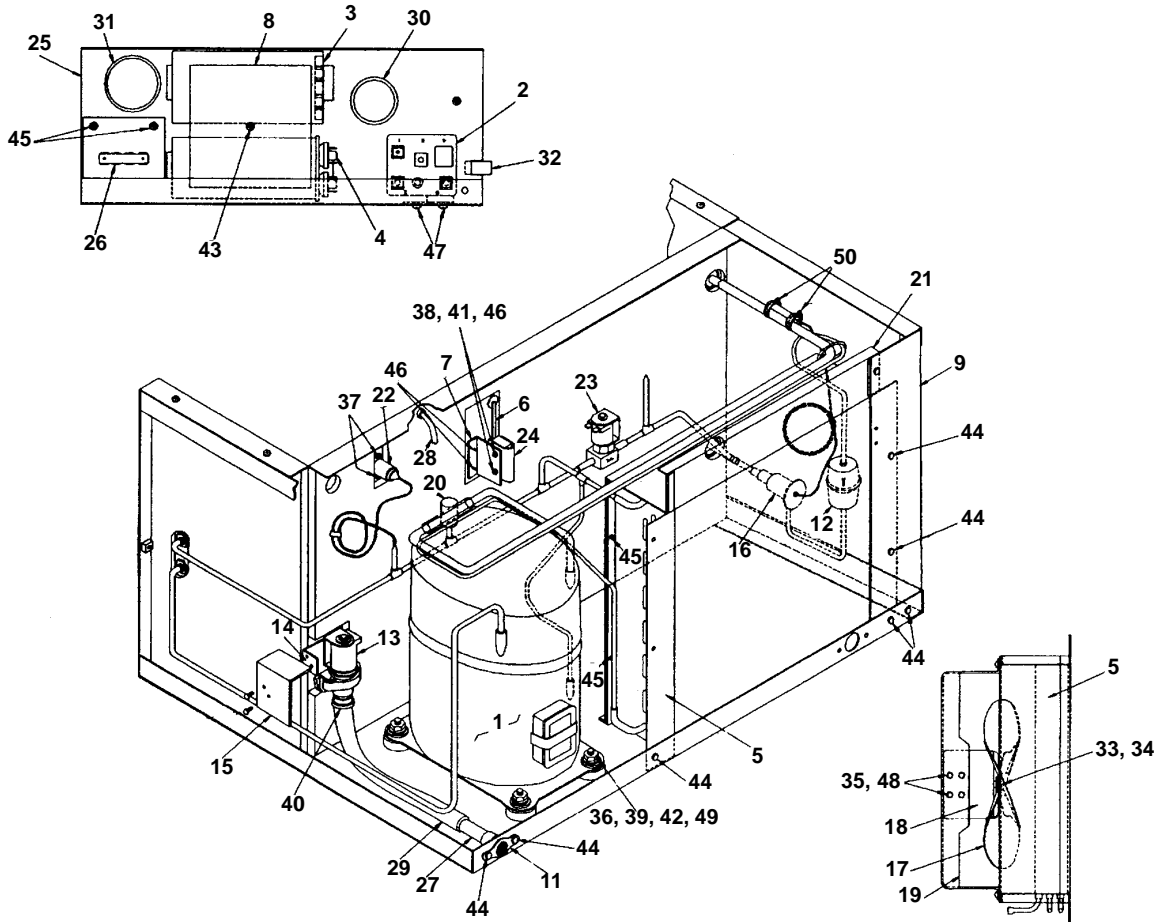


1202

	PART NO.		PART NO.		
1	Activating Pin Assembly	76-2025-3	21	Tubing, Poly .25 OD	44-2029-1
2	Centering Pin	† 50-1313-9	22	Tubing, Vinyl .50 ID	† 44-2033-3
3	Control Box Side Cover	631531-4	23	Water Curtain	† 76-2039-3
4	Control Box Top Cover	631551-4	24	Water Curtain Bracket	† 76-2177-3
5	Distribution Tube Assembly	76-2040-3	25	Water Flow Clamp	76-2054-3
6	End Plug	† 44-0820-9	26	Water Pump, 115V 60 Hz	† 76-2306-3
7	Evaporator, Dice Cube	† 684521-9	27	Water Trough Support	† 43-0201-9
8	Evaporator, Half Dice Cube	† 684531-9	28	Bushing	† 25-0011-9
9	Evaporator, Regular Cube	† 684511-9	29	Bushing	† 25-0010-9
10	Float Valve	† 83-6904-9	30	Cagenut	† 54-2910-9
11	Float Valve Mounting Bracket	† 76-2283-3	31	Hex Locknut	† 54-7503-9
12	Ice Thickness Control	† 76-2061-3	32	Hex Nut, #10-32 x .196	† 54-2945-9
13	Ice Thickness Control Bracket	618581-4	33	Hose Clamp	† 56-5064-9
14	Process Valve Cover	No Longer Available	34	Reducing Tee	43-0057-3
15	Process Valve Stem Only	83-7317-3	35	Screw, #10-24 x .500	† 52-0206-9
16	Process Valve w/Stem	† 83-7310-9	36	Screw, #10-24 x .625	† 52-0205-9
17	Spring Clip	† 56-5047-9	37	Spring Clip, Nylon	† 56-5069-9
18	Sump Trough	No Longer Available	38	Thumb Screw, Plastic	† 53-0504-9
19	Sump Trough Plug	† 43-0062-9	39	Union Connector, White Nylon	83-9005-3
20	Tube Seal	† 44-0821-9			

† Refer to Cross Reference Guide

G-0200 AIR-COOLED

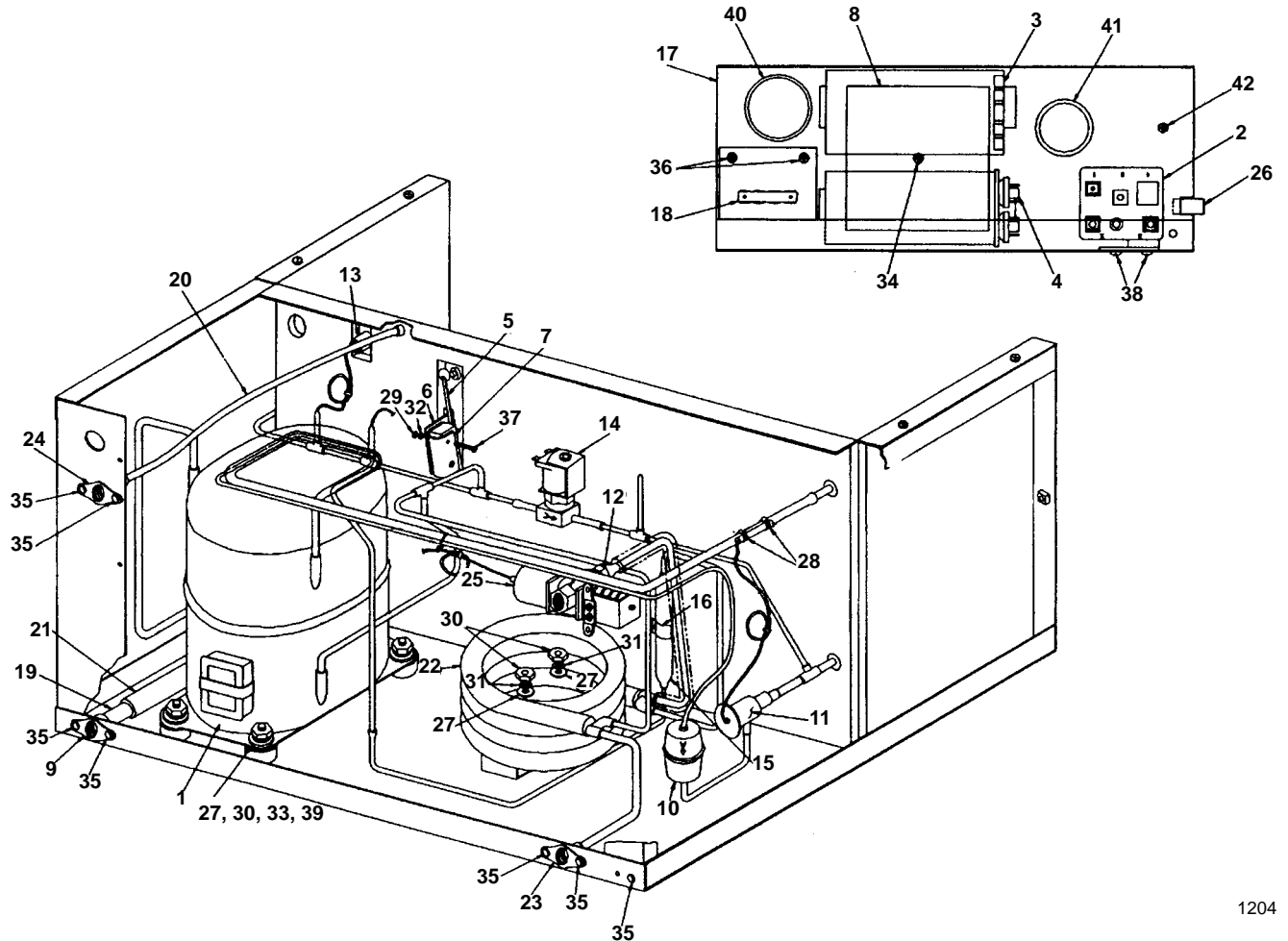


1203

PART NO.		PART NO.	
1	Compressor † No longer Available	26	Terminal Board 25-1013-1
2	Start Relay 85-0396-3	27	Tube, .63 OD x 2.0 Long 623451-4
3	Start Capacitor 85-0314-3	28	Tubing, Poly, .25 OD 44-2029-1
4	Run Capacitor 85-0400-3	29	Tubing, Vinyl, .50 ID † 44-2033-3
4a	Overload 85-0426-3	30	Bushing † 25-0001-9
5	Air Condenser 88-5057-3	31	Bushing † 25-0013-9
6	Bin Switch † 23-0111-9	32	Cable Clip † 56-4808-9
7	Bin Switch Mounting Bracket 617531-4	33	Fan Nut † 54-7507-9
8	Component Retaining Plate No Longer Available	34	Fiber Washer † 55-7335-9
9	Corner Post LH 664101-4	35	Flatwasher † 55-0426-9
10	Corner Post RH (Not shown) 666792-4	36	Flatwasher † 55-7309-9
11	Drain Adapter 17-0602-1	37	Hex Nut #8-32 † 54-2906-9
12	Drier † 89-3025-9	38	Hex Nut #6-32 † 54-2878-9
13	Dump Valve, 115V 000001767	39	Hex Nut .38-16 † 54-3002-9
14	Dump Valve Mounting Bracket 626031-4	40	Hose Clamp † 56-5070-9
15	Dump Valve Shield 631791-4	41	Lockwasher #6 † 55-4454-9
16	Expansion Valve † 76-2413-3	42	Mounting Grommet † 15-0261-9
17	Fan Blade 24-0015-1	43	Screw, #10-24 x 2.25 † 50-2726-9
18	Fan Motor, 115V 60 Hz † 24-1287-3	44	Screw, #10-24 x .50 † 52-0206-9
19	Fan Motor Bracket 688781-4	45	Screw, #10-24 x .63 † 52-0205-9
20	Fan Pressure Control 23-0115-3	46	Screw, #6-32 x 1 † 50-2329-9
21	Fan Shroud † 76-2457-3	47	Screw, #8-32 x .25 † 50-2672-9
22	High Pressure Control † 23-5524-3	48	Screw, #8-36 x .44 † 50-2559-9
23	Hot Gas Solenoid Valve 24-0486-3	49	Sleeve † 15-0259-9
24	Mylar Insulator 619961-4	50	Wormdrive Clamp † 56-5052-9
25	Start Component Box † 76-2414-3	51	Air Baffle (Not shown) 76-2281-3

† Refer to Cross Reference Guide

G-0200 WATER-COOLED

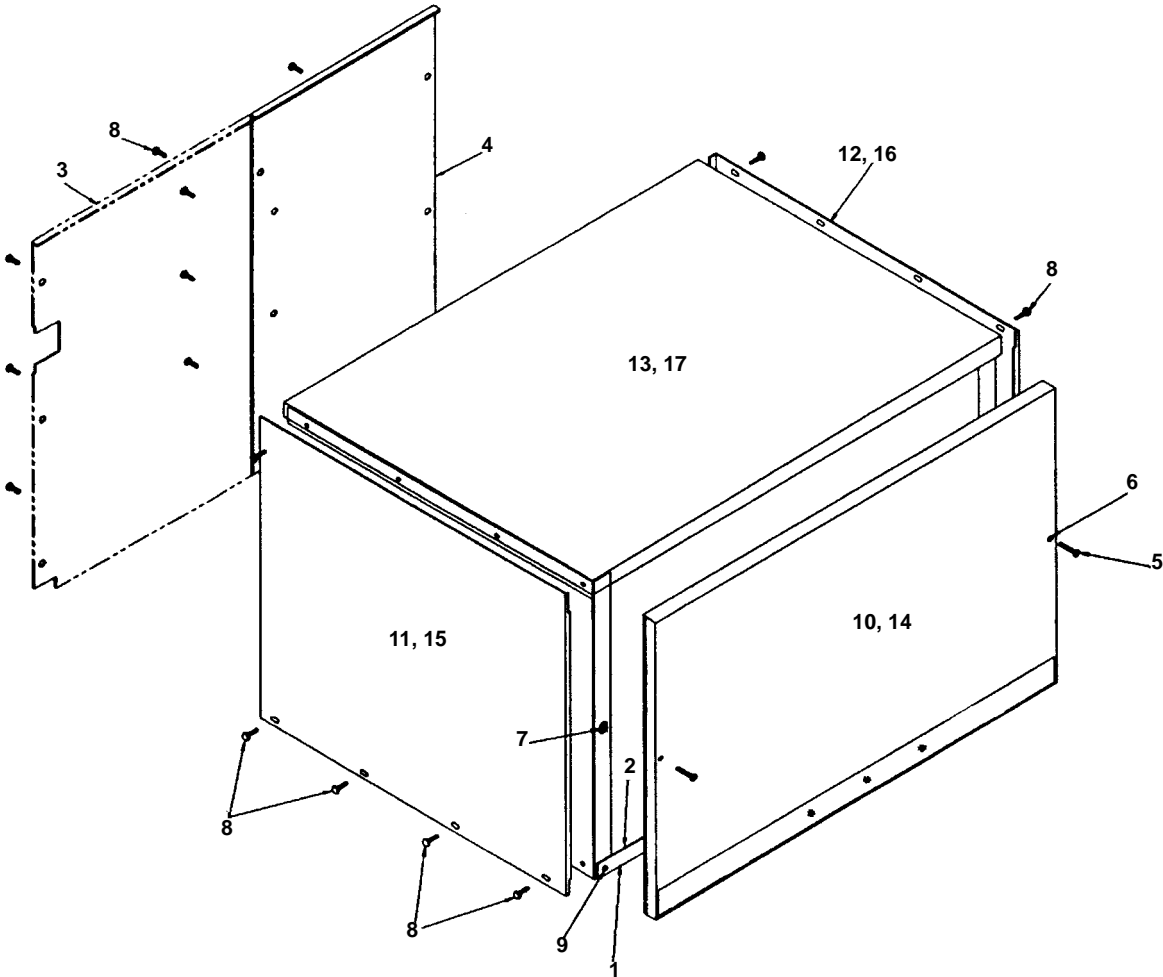


1204

	PART NO.		PART NO.
1	Compressor † No Longer Available	22	Water Condenser † 11-6509-7
2	Start Relay 85-0396-3	23	Water Condenser Drain Fitting 87-0610-3
3	Start Capacitor 85-0314-3	24	Water Inlet Adapter 600242-1
4	Run Capacitor 85-0400-3	25	Water Regulator Valve 83-7206-3
4a	Overload 85-0426-3	26	Cable Clip † 56-4808-9
5	Bin Switch † 23-0111-9	27	Flatwasher † 55-7309-9
6	Bin Switch Mounting Bracket 617531-4	28	Hex Head Clamp † 56-5052-9
7	Bin Switch Mylar Insulation 619961-4	29	Hex Nut #6-32 † 54-2878-9
8	Component Retaining Plate No Longer Available	30	Hex Nut .38-16 † 54-3002-9
9	Drain Fitting 17-0602-1	31	Lockwasher 3/8" † 55-4514-9
10	Drier † 89-3025-9	32	Lockwasher #6 † 55-4454-9
11	Expansion Valve † 76-2413-3	33	Mounting Grommet † 15-0261-9
12	Half Union Coupling 83-3202-3	34	Screw, #10-24 x 2.25 † 50-2726-9
13	High Pressure Control † 23-5524-3	35	Screw, #10-24 x .50 † 52-0206-9
14	Solenoid Valve, Hot Gas 24-0486-3	36	Screw, #10-24 x .625 † 52-0205-9
15	Receiver 12-0003-1	37	Screw, #6-32 x 1.0 † 50-2329-9
16	Receiver Bracket 632511-4	38	Screw, #8-32 x .25 † 50-2672-9
17	Start Component Box † 76-2414-3	39	Sleeve † 15-0259-9
18	Terminal Board 25-1013-1	40	Bushing † 25-0013-9
19	Tube .63 OD x 2.0 Long 623451-4	41	Bushing † 25-0001-9
20	Tubing, Poly, .25 OD 44-2029-1	42	Grounding Screw † 50-2932-9
21	Tubing, Vinyl .50 ID † 44-2033-3		

† Refer to Cross Reference Guide

G-0200 OUTER PANEL



1205

COMMON PARTS

		PART NO.
1	Front Support Bulkhead	† 658041-9
2	Front Support Angle	No Longer Available
3	Back Panel, Water	No Longer Available
4	Back Panel, Air	627081-4
5	Screw, #8-32 x 1.25	† 50-2668-9
6	Spacer for Front Panel	† 37-1819-9
7	Cagenut	† 54-2910-9
8	Screw, #10-24 x .50	† 52-0206-9
9	Screw, #10-24 x .50	† 52-0209-9
	Cartoning Assembly	† 71-0860-9

FAWN

10	Front Panel	76-2277-3
11	Side Panel, LH	No Longer Available
12	Side Panel, RH, Air and Water	688821-4
13	Top Cover	683821-4
	Fawn Touch Up Paint, .6 oz. Bottle	94-0162-3
	Fawn Touch Up Paint, Aerosol Can	94-0093-1

STAINLESS STEEL

14	Front Panel	76-2278-3
15	Side Panel, LH	† 687253-9
16	Side Panel, RH, Air and Water	688823-4
17	Top Cover	683823-4

† Refer to Cross Reference Guide

G-0200 CYCLE APPLICATIONS

50 CYCLE APPLICATION

	PART NO.
Compressor	† 76-2412-3
Start Capacitor	† 85-0314-3
Start Relay	85-0381-3
Run Capacitor	85-0400-3
Overload	85-0427-3
Dump Valve 208/230V	000001768
Fan Motor.	† 24-1288-3
Power Cord	20-3073-3
Reducing Nipple .75 x .50	87-0038-3
Reducing Nipple .75 x .38	87-0039-3
Solenoid, Hot Gas	No Longer Available
Strain Relief Bushing	25-1202-3
Terminal Block	25-1023-3
Toggle Switch.	23-0119-3
Unitized Sensor Assembly	† 76-2396-3
Water Pump	† 76-2601-3

230V/60 CYCLE APPLICATION

Compressor	† 76-2433-3
Start Relay	85-0381-3
Overload	85-0428-3
Start Capacitor	85-0314-3
Run Capacitor	85-0400-3
Fan Motor.	† 24-1288-3
Unitized Sensor Assembly	† 76-2375-3
Water Pump	† 76-2601-3

INTENTIONALLY LEFT BLANK