



## **Ice Machine Parts List for Series J0420 Models**

**JR0420A**

**JD0423W**

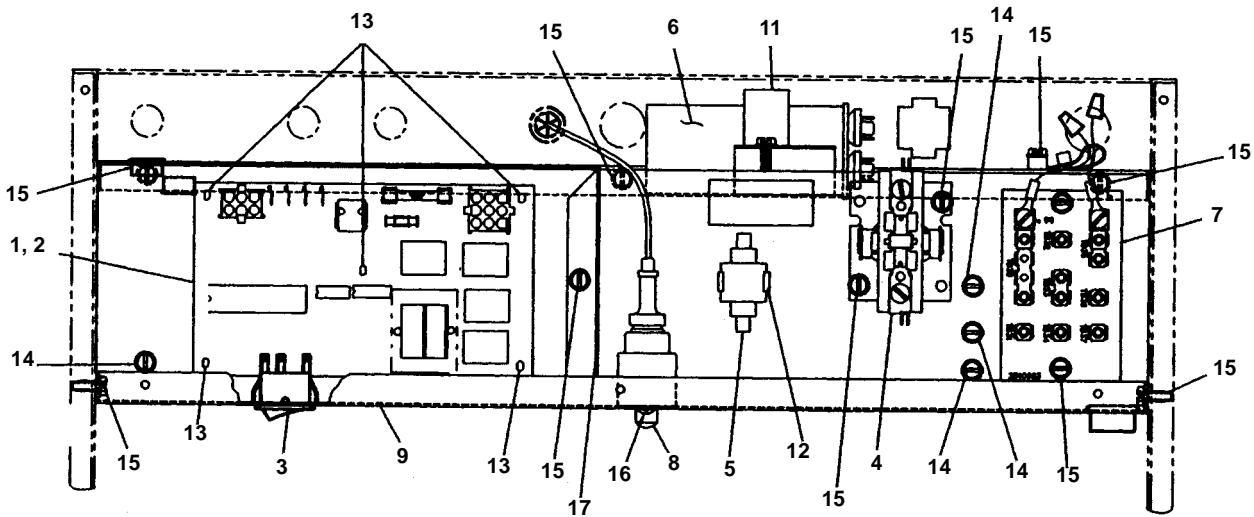
**JR0421W**

**JY0424A**

**JD0422A**

**JY0425W**

# J0420 CONTROL BOX



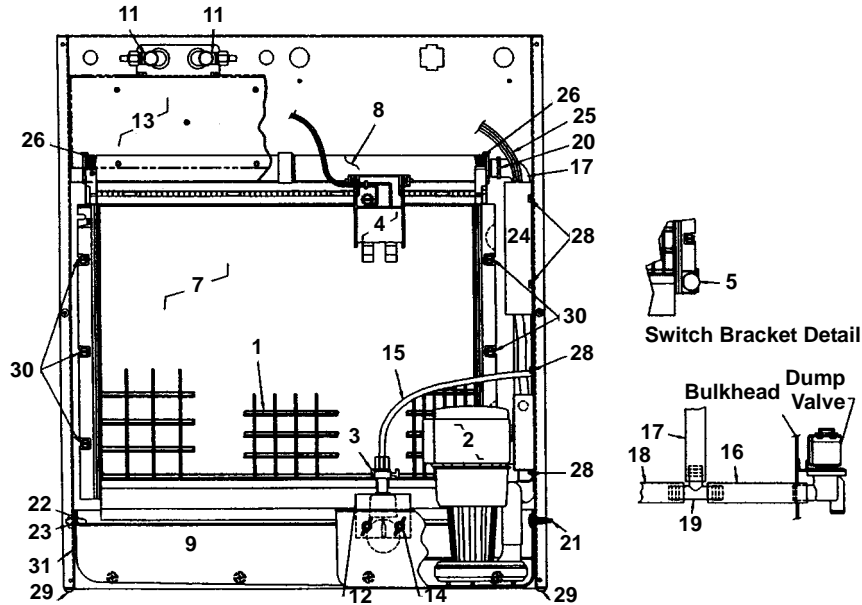
1401

## DESCRIPTION

		<b>PART NO.</b>
1	<b>Control Board</b> (For use with all voltages) .....	† 76-2782-3
2	<b>Fuses-Mounted On Control Board</b>	
	a. 7 Amp .....	25-1100-3
	b. .125 Amp 60 Hz Mini Fuse .....	† 25-1116-9
	c. .100 Amp 50 Hz Mini Fuse .....	25-1105-3
3	<b>Toggle Switch Only</b> .....	23-0134-3
	a. Toggle Switch With Wiring Harness Attached .....	20-3217-3
4	<b>Contactor</b>	
	a. 115V/60 Hz/1 Ph. ....	† 20-0658-9
	b. 208-230V/60 Hz/1 Ph or 230V/50 Hz/1 Ph .....	† 20-0659-9
5	<b>P.T.C.R. Compressor Starter</b> .....	85-0500-3
6	<b>Compressor Run Capacitor</b>	
	a. 115V .....	20-1014-3
	b. 230V/50-60 Hz .....	85-0400-3
7	<b>Terminal Board with Wire Harness Attached</b>	
	a. 60 Hz .....	20-3224-3
	b. 50 Hz .....	20-3225-3
8	<b>High Pressure Cut-out Control</b> .....	† 23-5536-9
<b>Miscellaneous – Brackets, Screws, etc.</b>		
9	Control Box .....	602138-1
10	Control Box Cover (Not shown) .....	† 76-2539-3
11	Compressor Run Capacitor Mounting Bracket .....	602495-1
12	P.T.C.R. Compressor Starter Mounting Bracket .....	85-0502-3
13	Control Board Mounting Supports .....	43-0225-3
14	Screw, #10-24 x .50 Ground .....	† 52-0216-9
15	Screw, #10-24 x .50 Hex Head .....	† 52-0206-9
16	Screw, #8 x .75 .....	† 51-2166-9
17	Control Board Cover .....	600180-1

† Refer to Cross Reference Guide

# J0420 EVAPORATOR COMPARTMENT



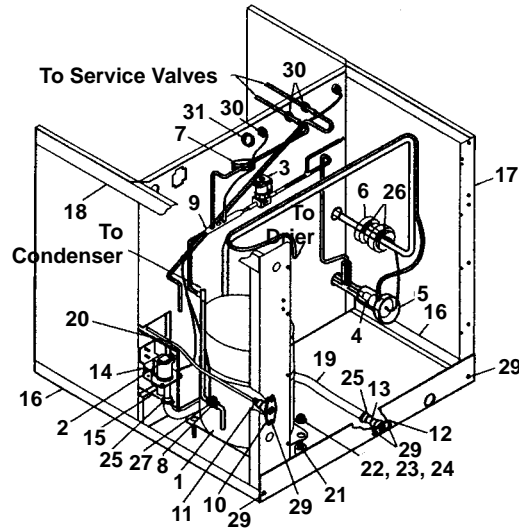
1402

## DESCRIPTION

	<b>PART NO.</b>
<b>1 Evaporator Assembly</b>	
a. Regular Cube . . . . .	† 76-2512-9
b. Dice Cube . . . . .	† 76-2511-9
c. Half Dice Cube . . . . .	† 76-2510-9
d. Top Gasket/Top Molding Assembly . . . . .	76-2621-3
<b>2 Water Pump</b>	
a. 115V/60 Hz . . . . .	† 76-2306-3
b. 208-230V/60 Hz or 230V/50 Hz . . . . .	† 76-2601-3
<b>3 Float Valve (Complete Assembly)</b> . . . . .	† 83-6904-9
a. Float Valve Screen . . . . .	† 83-6906-9
b. Float Valve Plunger . . . . .	† 83-6908-9
c. Float Valve Compression Nut . . . . .	† 56-5072-9
<b>4 Ice Thickness Control</b> . . . . .	† 76-2781-3
<b>5 Magnetic Bin Switch (Mounted to Evaporator)</b> . . . . .	† 23-0148-3
<b>6 Water Flow Clamp (Use on Regular Cube Evap. Only – Not shown)</b> . . . . .	76-2054-3
<b>7 Water Curtain</b>	
a. Water Curtain Hanger . . . . .	† 43-0464-3
b. Water Curtain Magnet and Clip . . . . .	76-2776-3
<b>8 Water Distribution Tube</b> . . . . .	† 76-2802-3
<b>9 Water Trough</b> . . . . .	† 76-2498-3
<b>10 High Pressure Cut-out (Not shown)</b> . . . . .	600245-1
<b>11 Refrigeration Service Valve Assembly</b> . . . . .	† 23-5536-9
<b>Miscellaneous – Brackets, Screws, etc.</b>	
<b>12 Float Valve Mounting Bracket</b> . . . . .	† 83-7310-9
<b>13 Control Box Cover</b> . . . . .	00000136
<b>14 Wing Nut</b> . . . . .	† 76-2539-3
<b>15 Tubing, Vinyl .25 OD (Water Inlet)</b> . . . . .	† 54-8913-9
<b>16 Tubing, Vinyl .625 ID (Tee to Dump Valve)</b> . . . . .	44-2029-1
<b>17 Tubing, Vinyl .625 ID (Tee to Distribution Tube)</b> . . . . .	† 44-2038-3
<b>18 Tubing, Vinyl .625 ID (Pump to Tee)</b> . . . . .	† 44-2105-3
<b>19 Barbed Tee</b> . . . . .	† 44-2101-3
<b>20 Hose Clamp</b> . . . . .	83-9103-3
<b>21 Thumbscrew – Push-in</b> . . . . .	† 56-5070-9
<b>22 Water Trough Support Pin (Order Nylon Hex Nut Separately)</b> . . . . .	† 50-1227-9
<b>23 Water Trough Support Pin Nylon Hex Nut</b> . . . . .	† 43-0201-9
<b>24 Water Pump Cord Channel</b> . . . . .	† 54-2945-9
<b>25 Water Pump Electrical Lead</b> . . . . .	† 601433-1
<b>26 Screw, #8-32 x .63 Nylon-Water Distribution Tube Mounting</b> . . . . .	† 20-7810-3
<b>27 Screw Used to Mount High Pressure Cut-out (Not shown)</b> . . . . .	† 50-0001-3
<b>28 Screw-# 10-24 x .50</b> . . . . .	† 51-2166-9
<b>29 Pop Rivet SS</b> . . . . .	† 52-0206-9
<b>30 Screw – #10-24 x .750, Used to Mount Evaporator</b> . . . . .	† 57-6877-9
<b>31 Splash Shield</b> . . . . .	† 52-0218-9
	† 76-2624-3

† Refer to Cross Reference Guide

# J0420 COMMON PARTS



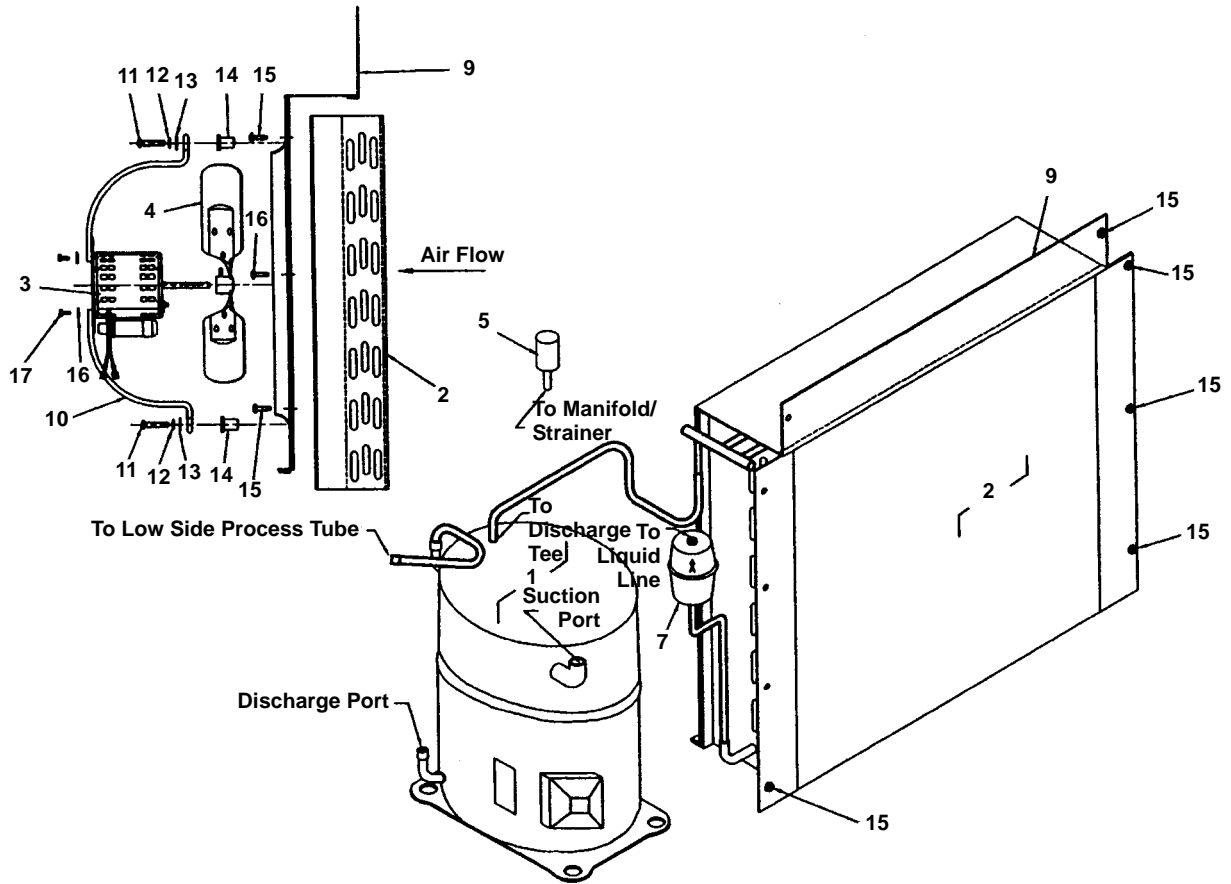
1403

## DESCRIPTION

	DESCRIPTION		PART NO.
1	<b>Compressor</b>		
	a. 115V/60 Hz/1 Ph. . . . .	†	76-2810-3
	b. Overload For 76-2810-3 . . . . .		85-0555-3
	c. 208/230V/60 Hz/1 Ph . . . . .	†	76-2812-3
	d. Overload For 76-2812-3 . . . . .		85-0556-3
	e. 230V/50 Hz/1 Ph . . . . .	†	76-2811-3
	f. Overload For 76-2811-3 . . . . .		85-0557-3
2	<b>Water Dump Valve</b>		
	a. Dump Valve Rebuild Kit . . . . .		No Longer Available
	b. Dump Valve, 115V . . . . .		000001767
	c. Dump Valve, 208-230V/50-60 Hz . . . . .		000001768
3	<b>Hot Gas Valve</b>		
	a. Hot Gas Valve Including 115V 60 Hz Coil (Danfoss) . . . . .	†	76-3001-1
	b. Hot Gas Valve 115V Coil Only Danfoss . . . . .		000002048
	c. Hot Gas Valve 115V Coil Only Alco . . . . .		24-0436-3
	d. Hot Gas Valve Including 208/230V 50/60 Hz Coil (Danfoss) . . . . .	†	76-3007-1
	e. Hot Gas Valve 208/230V 50/60 Hz Coil Only Danfoss . . . . .		000002049
	f. Hot Gas Valve 208/230V 50/60 Hz Coil Only Alco . . . . .	†	24-0448-3
4	Expansion Valve . . . . .	†	76-0019-3
5	Expansion Valve Body Insulating Boot		
	a. Alco . . . . .		40-0721-3
	b. Danfoss . . . . .		40-0036-3
6	Expansion Valve Bulb Insulating Boot . . . . .		40-0720-3
7	High Pressure Cut-out Control . . . . .	†	23-5536-9
8	Thermistor . . . . .		23-5116-3
9	Manifold Strainer . . . . .		83-1016-3
10	Water Inlet Female Wing Adapter . . . . .	†	87-0609-3
11	Water Inlet Union (Compression Nut) . . . . .		13-6096-1
12	Water Drain Female Wing Adapter . . . . .		17-0602-1
13	Water Drain Copper Tube Insert . . . . .		11048-1
	<b>Miscellaneous – Brackets, Screws, etc.</b>		
14	Dump Valve Mounting Bracket . . . . .		600261-1
15	Dump Valve Shield (Used on Air-cooled Models Only) . . . . .	†	70-0062-3
16	Base Angle . . . . .	†	601424-1
17	Left Corner Post Weldment . . . . .		600199-2
18	Right Corner Post Weldment . . . . .		600199-1
19	Water Drain Vinyl Tubing, .625 ID . . . . .		44-2084-3
20	Water Inlet Vinyl Tubing, .25 ID . . . . .		44-2029-1
21	Compressor Mounting Rubber Grommet . . . . .	†	85-0306-9
22	Compressor Mounting Sleeve (inserts into Grommet) . . . . .	†	85-0394-9
23	Compressor Mounting Nut . . . . .	†	54-3002-9
24	Compressor Mounting Washer . . . . .	†	55-7309-9
25	Clamp, Water Drain . . . . .	†	56-5070-9
26	Clamp, Expansion Valve Bulb . . . . .	†	56-5052-9
27	Clamp, Thermistor . . . . .		56-5077-3
28	Locknut Used to Fasten Refrigerant Service Valves (Not shown) . . . . .	†	54-7503-9
29	Screw, #10-24 x .50 . . . . .	†	52-0206-9
30	Bushing .625 ID . . . . .	†	25-0016-9
31	Bushing .875 ID . . . . .	†	25-0140-9

† Refer to Cross Reference Guide

# J0420 AIR-COOLED



1404

## DESCRIPTION

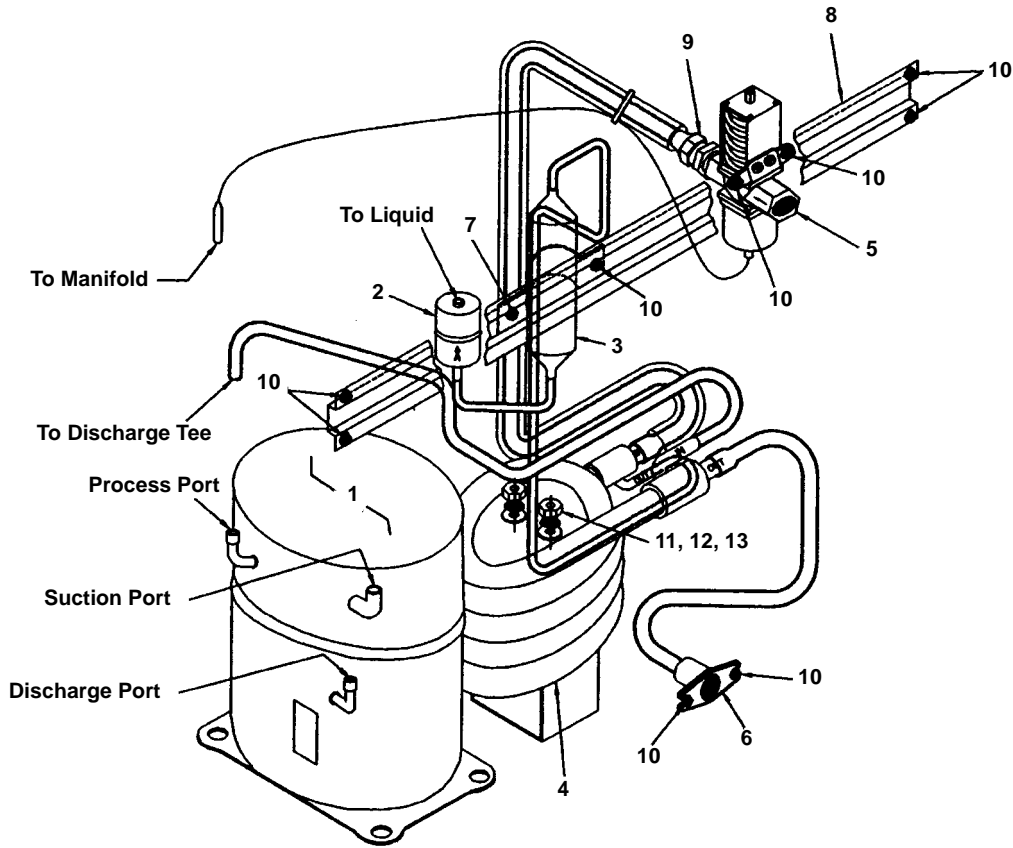
1	Compressor (Refer to COMMON PARTS)	Page 4
2	Air Condenser	88-5061-3
3	<b>Fan Motor</b>	
	a. 115V	† 24-1292-9
	b. 208-230V/60 Hz or 230V/50 Hz	† 24-1293-9
4	Fan Blade	24-1620-3
5	Fan Cycling Control	† 20-0126-3
6	Air Filter (Not shown)	40-4002-3
7	Drier	† 89-3025-9

## Miscellaneous – Brackets, Screws, etc.

8	Air Filter Bracket (Not shown)	† 76-2686-3
9	Fan Shroud	600169-1
10	Fan Motor Mounting Bracket	34-0662-3
11	Screw	† 50-3358-9
12	Lockwasher	† 55-4510-9
13	Flat Washer	† 55-7305-9
14	Rubber Well Nut	† 54-2955-9
15	Screw, #10-24 x .50	† 52-0206-9
16	Flat Washer	† 55-0426-9
17	Screw, 8-36 x 7/16	† 50-2559-9

† Refer to Cross Reference Guide

# J0420 WATER-COOLED



1405

## DESCRIPTION

1	Compressor (Refer to COMMON PARTS)	.....
2	Drier	.....
3	Receiver	.....
4	Water-cooled Condenser	.....
5	Water Regulating Valve	.....
6	Water Drain Female Wing Adapter	.....

## PART NO.

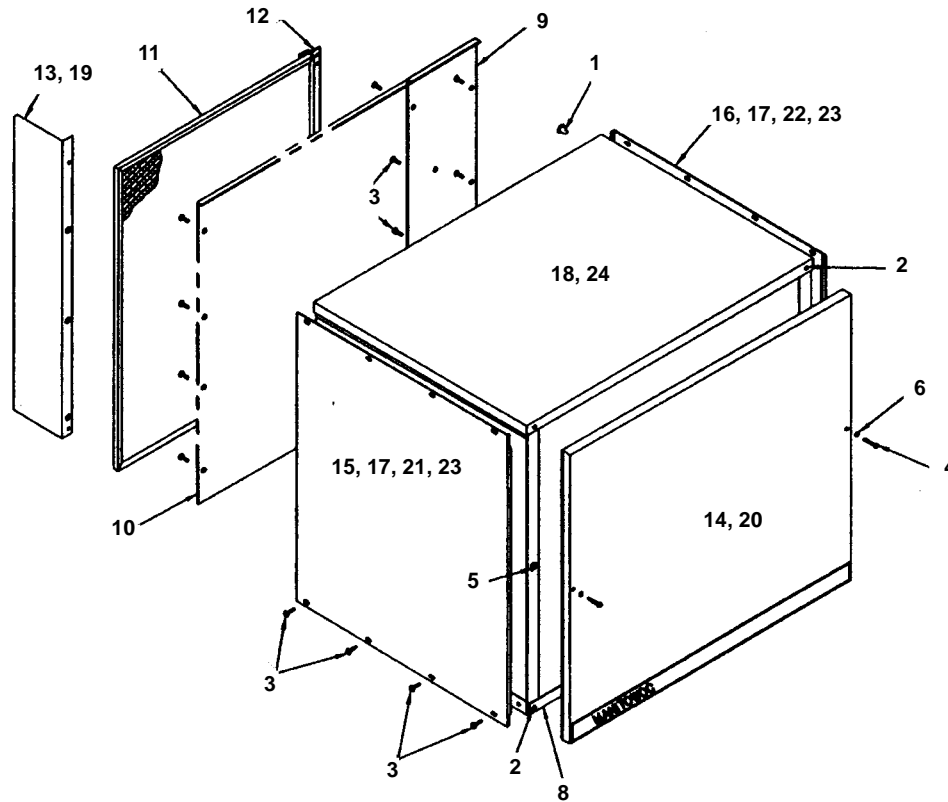
	Page 4
†	89-3025-9
	12-0003-1
†	88-6532-3
†	83-7206-9
	87-0612-3

## Miscellaneous – Brackets, Screws, etc.

7	Receiver Strap	.....
8	Bracket – Receiver/Valve Mounting	.....
9	Water Coupling	.....
10	Screw, #10-24 x .50	.....
11	Flat Washer	.....
12	Lockwasher	.....
13	Nut	.....

	600189-1
	600179-1
	83-3203-3
†	52-0206-9
†	55-7309-9
†	55-4514-9
†	54-3002-9

## J0420 PANELS



1406

### COMMON PARTS

	<b>PART NO.</b>
1 Canoe Clip Fastener . . . . .	† 56-4820-9
2 Screw, #10-24 x .50 Flat . . . . .	† 52-0209-9
3 Screw, #10-24 x .50 Hex. . . . .	† 52-0206-9
4 Screw, #8-32 x 1.25 . . . . .	† 50-2668-9
5 Threaded Insert . . . . .	† 57-6865-9
6 "0" Ring . . . . .	† 37-1819-9
7 Extruded Tape Gasket (Not shown) . . . . .	† 92-0250-9
8 Front Support . . . . .	† 000000164
9 Back Panel, Air . . . . .	600170-1
10 Back Panel, Water . . . . .	600178-1
11 Air Filter . . . . .	40-4002-3
12 Filter Bracket . . . . .	† 76-2686-3

### FAWN

13 Air Baffle . . . . .	600222-1
14 Front Panel Assembly . . . . .	† 76-2523-3
15 LH Side Panel, Air . . . . .	600155-1
16 RH Side Panel, Air . . . . .	600156-1
17 Side Panel, Water . . . . .	600157-1
18 Top Cover . . . . .	600193-1

### STAINLESS STEEL

19 Air Baffle . . . . .	600222-3
20 Front Panel Assembly . . . . .	76-2524-3
21 LH Side Panel, Air . . . . .	600155-3
22 RH Side Panel, Air . . . . .	600156-3
23 Side Panel, Water . . . . .	600157-3
24 Top Cover . . . . .	600193-3

† Refer to Cross Reference Guide

**INTENTIONALLY LEFT BLANK**