



**Ice Machine Parts List for
Series J0450 Models**

JR0450A

JD0492N

JR0451W

JY0454A

JR0490N

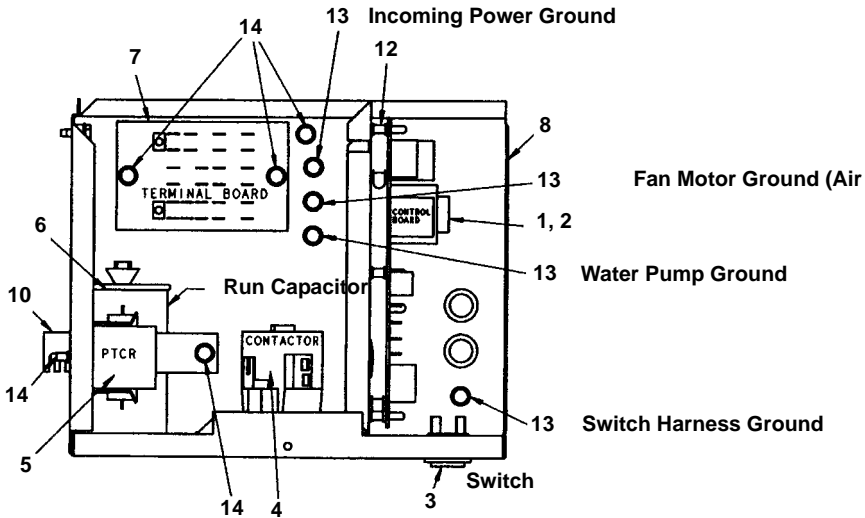
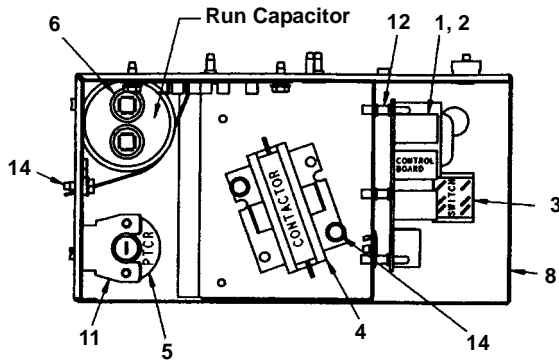
JY0455W

JD0452A

JY0494N

JD0453W

J0450 CONTROL BOX



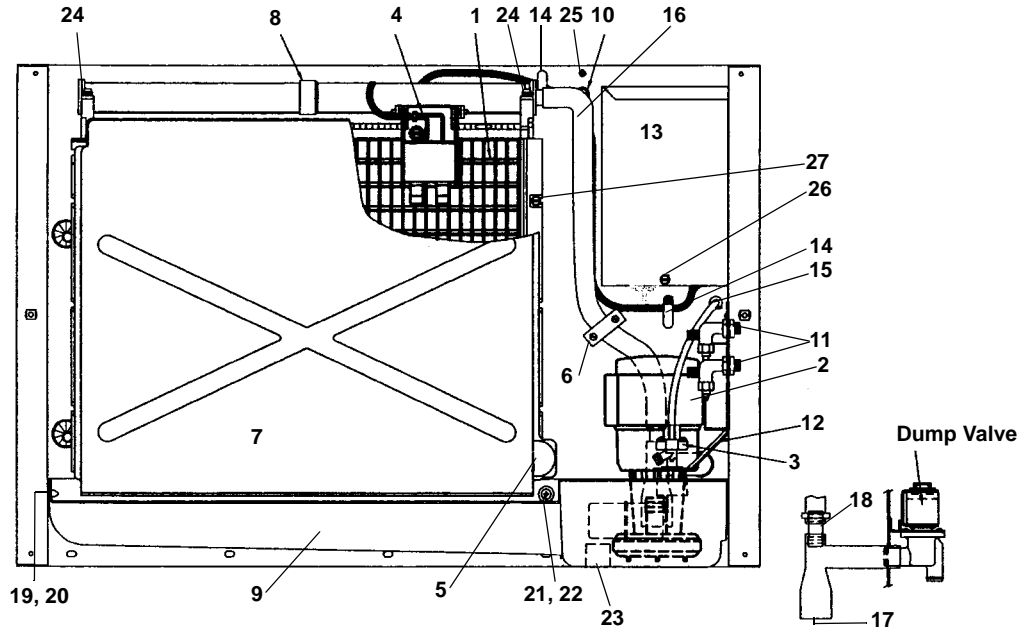
1411

DESCRIPTION

	PART NO.
1 Control Board (For use with all voltages)	† 76-2782-3
2 Fuses – Mounted On Control Board	
a. 7 Amp	25-1100-3
b. .125 Amp 60 Hz Mini Fuse	† 25-1116-9
c. .125 Amp 50 Hz Mini Fuse	25-1105-3
3 Toggle Switch only	23-0134-3
a. Toggle Switch With Wiring Harness Attached	20-3217-3
4 Contactors	
a. 115V/60 Hz/1 Ph	† 20-0658-9
b. 208-230V/60 Hz/1 Ph or 230V/50 Hz/1 Ph	† 20-0659-9
5 P.T.C.R. Compressor Starter	85-0500-3
6 Compressor Run Capacitor	
a. 115V	20-1014-3
b. 208-230V/50-60 Hz	85-0400-3
7 Terminal Board With Wire Harness Attached	
a. 115V/60 Hz	20-3226-3
b. 50 Hz/1 Ph	20-3209-3
c. 230V/60 Hz/1 Ph	20-3208-3
Miscellaneous – Brackets, Screws, etc.	
8 Control Box	602046-1
9 Control Box Cover (Not shown)	† 76-2507-3
10 Compressor Run Capacitor Mounting Bracket	602160-1
11 P.T.C.R. Compressor Starter Mounting Bracket	85-0502-3
12 Control Board Mounting Supports	43-0225-3
13 Screw, #10-24 x .50 Ground	† 52-0216-9
14 Screw, #10-24 x .50 Hex Head	† 52-0206-9

† Refer to Cross Reference Guide

J0450 EVAPORATOR COMPARTMENT



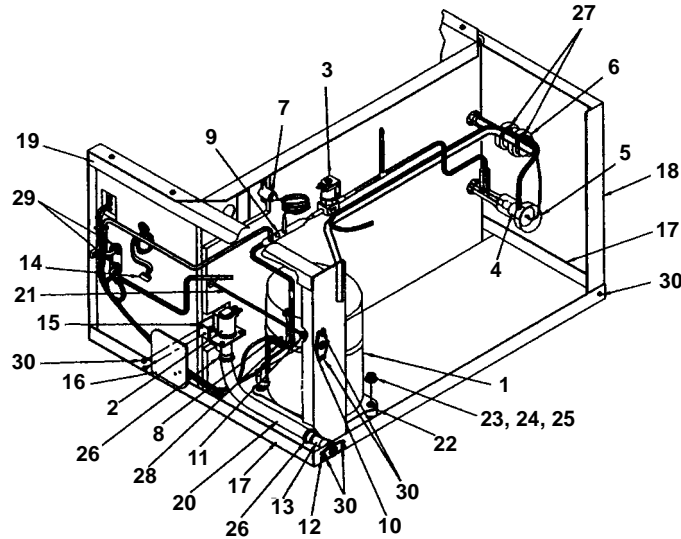
1412

DESCRIPTION

		PART NO.
1	Evaporator Assembly	
	a. Regular Cube	† 76-2515-9
	b. Dice Cube	† 76-2514-9
	c. Half Dice Cube	† 76-2513-9
	d. Gasket/Top Molding Assembly	76-2621-3
2	Water Pump	
	a. 115V/60 Hz	† 76-2306-3
	b. 208-230V/60 Hz or 230V/50 Hz	† 76-2601-3
3	Float Valve (Complete Assembly)	
	a. Float Valve Screen	† 83-6906-9
	b. Float Valve Plunger	† 83-6908-9
	c. Float Valve Compression Nut	† 56-5072-9
4	Ice Thickness Control	† 76-2781-3
5	Magnetic Bin Switch (Mounted to Evaporator)	† 23-0148-3
6	Water Flow Clamp (Use on Regular Cube Evap. Only)	76-2054-3
7	Water Curtain	† 43-0464-3
	a. Water Curtain Hanger	76-2776-3
	b. Water Curtain Magnet And Clip	† 76-2802-3
8	Water Distribution Tube	† 76-2498-3
9	Water Trough	† 76-2748-3
10	High Pressure Cut-out (Refrigeration System)	† 23-5536-9
11	Refrigeration Service Valve Assembly	† 83-7310-9
Miscellaneous – Brackets, Screws, etc.		
12	Float Valve Mounting Bracket	† 76-2140-3
13	Control Box Cover	† 76-2507-3
14	Nylon Spring Clip	† 56-5090-9
15	Tubing, Vinyl .25 OD (Water Inlet)	44-2029-1
16	Tubing, Vinyl .625 ID (Water Pump Out)	44-2083-3
17	Reducing Tee (Rubber)	43-0057-3
18	Union Connector (White Nylon)	83-9005-9
19	Water Trough Support Pin (Order Nylon Hex Nut Separately)	43-0201-3
20	Water Trough Support Pin Nylon Hex Nut	† 54-2945-9
21	Clip-in Receptacle (Female Side)	56-5085-3
22	Clip-in Receptacle Wing Nut (Male Side)	56-5086-3
23	Water Trough Support Clip	† 76-2704-3
24	Screw, #8-32 x .63 Nylon Water Distribution Tube Mounting	† 50-0001-3
25	Screw Used to Mount High Pressure Cut-out	† 51-2166-9
26	Screw, #10-24 x .50	† 52-0206-9
27	Screw, #10-24 x .625	† 52-0205-9
28	Screw, #10-24 x .750 Used to Mount Evaporator	† 52-0218-9

† Refer to Cross Reference Guide

J0450 REFRIGERATION COMPARTMENT COMMON PARTS



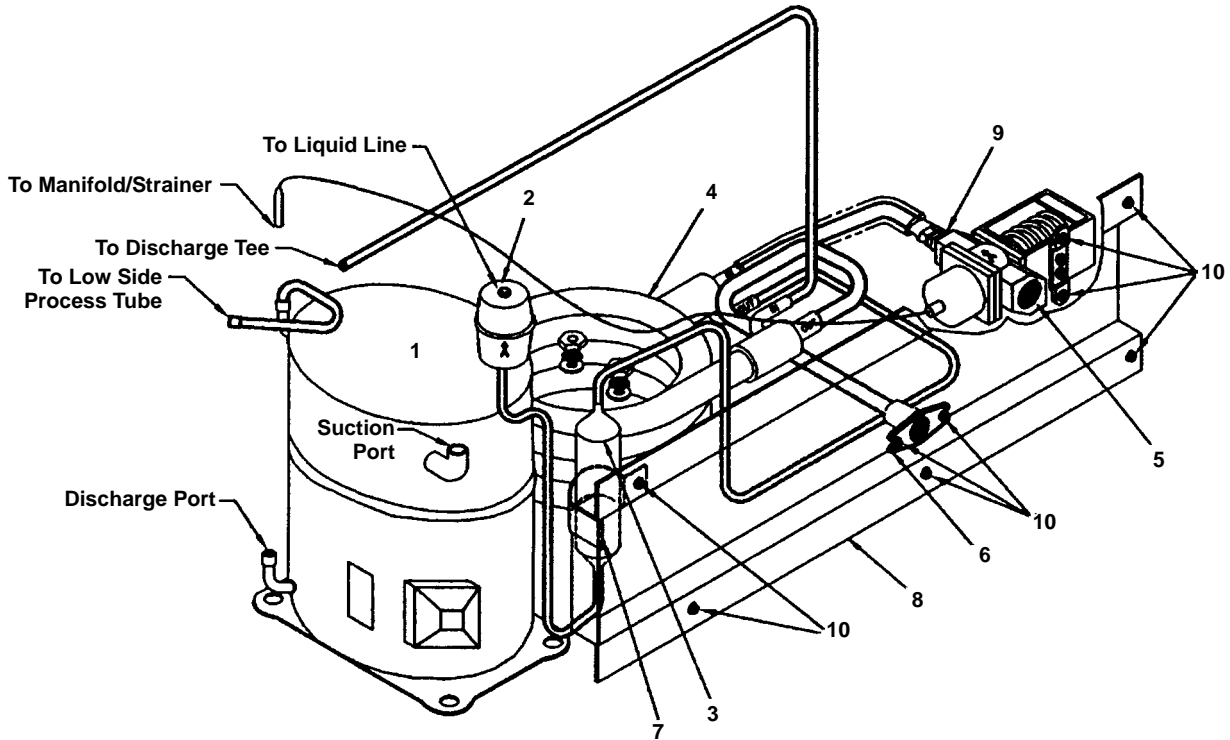
1413

DESCRIPTION

DESCRIPTION	PART NO.
1 Compressor	
a. 115V/60 Hz/1 Ph.	† 76-2810-3
b. Overload For 76-2810-3	85-0555-3
c. 208/230V/60 Hz/1 Ph.	† 76-2812-3
d. Overload For 76-2812-3	85-0556-3
e. 230V/50 Hz/1 Ph.	† 76-2811-3
f. Overload For 76-2811-3	85-0557-3
2 Water Dump Valve	
a. Dump Valve Rebuild Kit	No Longer Available
b. Dump Valve, 115V	000001767
c. Dump Valve, 208/230V 50-60 Hz.	000001768
3 Hot Gas Valve	
a. Hot Gas Valve Including 115V 60 Hz Coil (Danfoss)	† 76-3001-1
b. Hot Gas Valve 115V Coil Only Danfoss	000002048
c. Hot Gas Valve 115V Coil Only Alco	24-0436-3
d. Hot Gas Valve Including 208/230V 50/60 Hz Coil (Danfoss)	† 76-3007-1
e. Hot Gas Valve 208/230V 50/60 Hz Coil Only Danfoss	000002049
f. Hot Gas Valve 208/230V 50/60 Hz Coil Only Alco	† 24-0448-3
4 Expansion Valve	† 76-0019-3
5 Expansion Valve Body Insulation Boot	
a. Alco.	40-0721-3
b. Danfoss	40-0036-3
6 Expansion Valve Bulb Insulation Boot	40-0720-3
7 High Pressure Cut-out Control	† 23-5536-9
8 Thermistor	23-5116-3
9 Manifold Strainer	83-1016-3
10 Water Inlet Female Wing Adapter	† 87-0609-3
11 Water Inlet Union (Compression Nut)	13-6096-1
12 Water Drain Female Wing Adapter	17-0602-1
13 Water Drain Copper Tube Insert	11048-1
14 Water Pump Electrical Wire Lead	† 20-7810-3
Miscellaneous – Brackets, Screws, etc.	
15 Dump Valve Mounting Bracket	626031-4
16 Dump Valve Shield (Used on Air-cooled Models Only)	† 70-0062-3
17 Base Angle	† 601287-1
18 Left Corner Post Weldment	600084-1
19 Right Corner Post Weldment	600084-2
20 Water Drain Vinyl Tubing, .625 ID	† 44-2038-3
21 Water Inlet Vinyl Tubing, .25 OD	44-2029-3
22 Compressor Mounting Rubber Grommet	† 85-0306-9
23 Compressor Mounting Sleeve (Inserts into Grommet)	† 85-0394-9
24 Compressor Mounting Nut	† 54-3002-9
25 Compressor Mounting Washer	† 55-7309-9
26 Clamp, Water Drain	† 56-5070-9
27 Clamp, Expansion Valve Bulb	† 56-5052-9
28 Clamp, Thermistor	56-5077-3
29 Locknut Used to Fasten Refrigerant Service Valves	† 54-7503-9
30 Screw, #10-24 x .50	† 52-0206-9

† Refer to Cross Reference Guide

J0450 WATER-COOLED



1415

DESCRIPTION

1	Compressor (Refer to COMMON PARTS)
2	Drier
3	Receiver
4	Water-cooled Condenser
5	Water Regulating Valve
6	Water Drain Female Wing Adapter

PART NO.

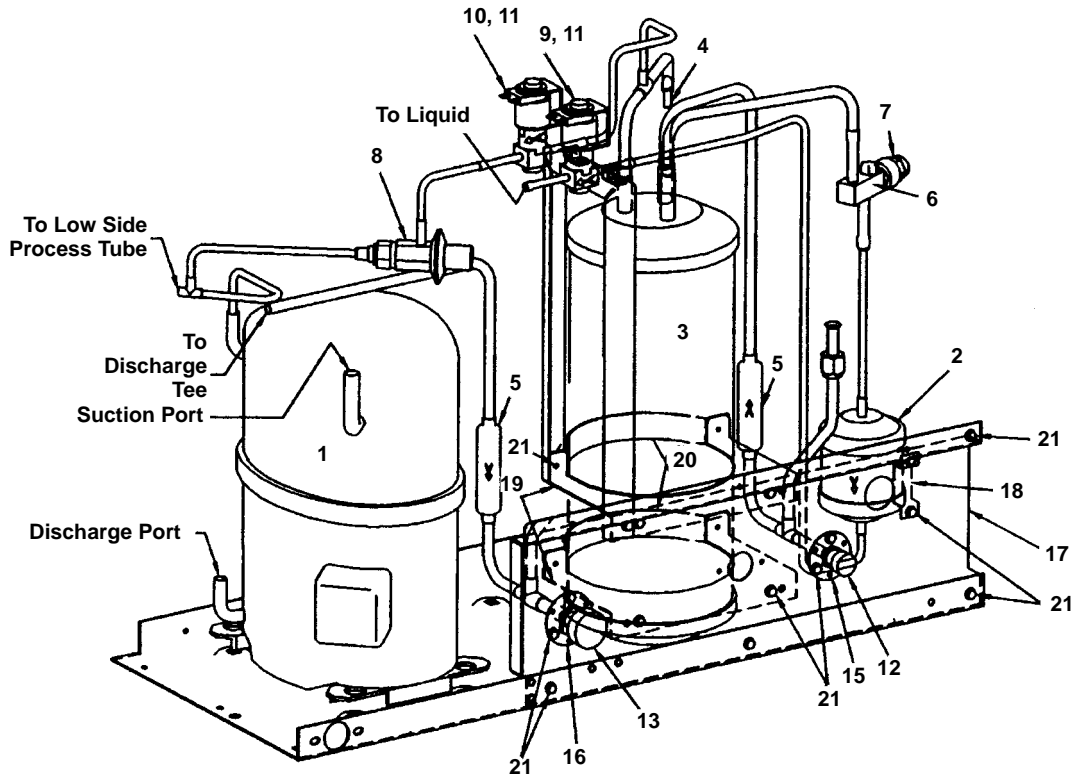
Page 4
† 89-3025-9
12-0003-1
† 88-6532-3
† 83-7206-9
87-0612-3

Miscellaneous – Brackets, Screws, etc.

7	Receiver Strap
8	Back Panel
9	Water Coupling
10	Screw, #10-24 x .50

600054-1
600057-1
83-3203-3
† 52-0206-9

J0450 REMOTE



1416

DESCRIPTION

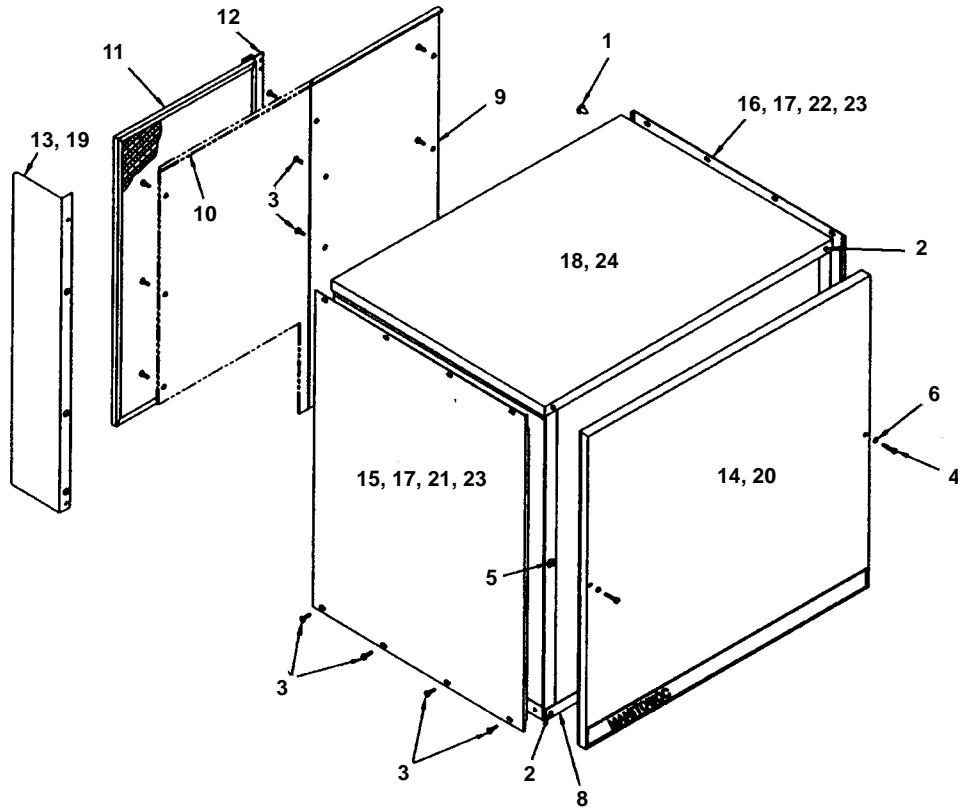
	PART NO.
1 Compressor (Refer to COMMON PARTS)	Page 4
2 Drier	† 89-3024-9
3 Receiver	† 76-2957-3
4 Safety Soft Plug	† 628451-9
5 Magni-Check Valve	† 83-7314-9
6 Liquid Line Service Valve	† 83-7316-9
7 Cap (For Liquid Line Service Valve)	56-5075-3
8 HPR Pressure Regulating Valve	† 83-6779-3
9 Liquid Line Solenoid Valve (LLS) 115V 60 Hz (Danfoss), Includes 115V Coil	† 76-3002-1
10 HPR Solenoid Valve, Includes 115V 60 Hz Coil (Danfoss)	† 76-3000-1
11 Danfoss 115V Coil Only, for LLS And HPR Valves	00002048
11 Alco 115V Coil Only, for LLS And HPR Valves	24-0436-3
12 Coupling – Male, 5/8-18	† 83-6034-3
13 Coupling – Male, 1-1/6-12	† 83-6035-3
14 Coupling Kit – Female (On Line Set, Not shown)	Sales K0129

Miscellaneous – Brackets, Screws, etc.

15 Coupling Mounting Flange (for 5/8-18)	83-6005-3
16 Coupling Mounting Flange (for 1-1/16-12)	83-6006-3
17 Back Panel	600057-1
18 Drier Support Bracket	601737-1
19 Receiver Mounting Bracket	600056-1
20 Receiver Mounting Strap	630721-4
21 Screw, #10-24 x .50	† 52-0206-9

† Refer to Cross Reference Guide

J0450 PANELS



1417

COMMON PARTS

	PART NO.
1 Canoe Clip Fastener	† 56-4820-9
2 Screw, #10-24 x .50 Flat	† 52-0209-9
3 Screw, #10-24 x .50 Hex	† 52-0206-9
4 Screw, #8-32 x 1.25	† 50-2668-9
5 Cage Nut 8-12	† 54-2910-9
6 "O" Ring	† 37-1819-9
7 Extruded Tape (Not shown)	† 92-0250-9
8 Front Support	† 658041-9
9 Back Panel, Air	600318-1
10 Back Panel, Water or Remote	600045-1
11 Air Filter	40-4002-3
12 Filter Bracket	† 76-2686-3

FAWN

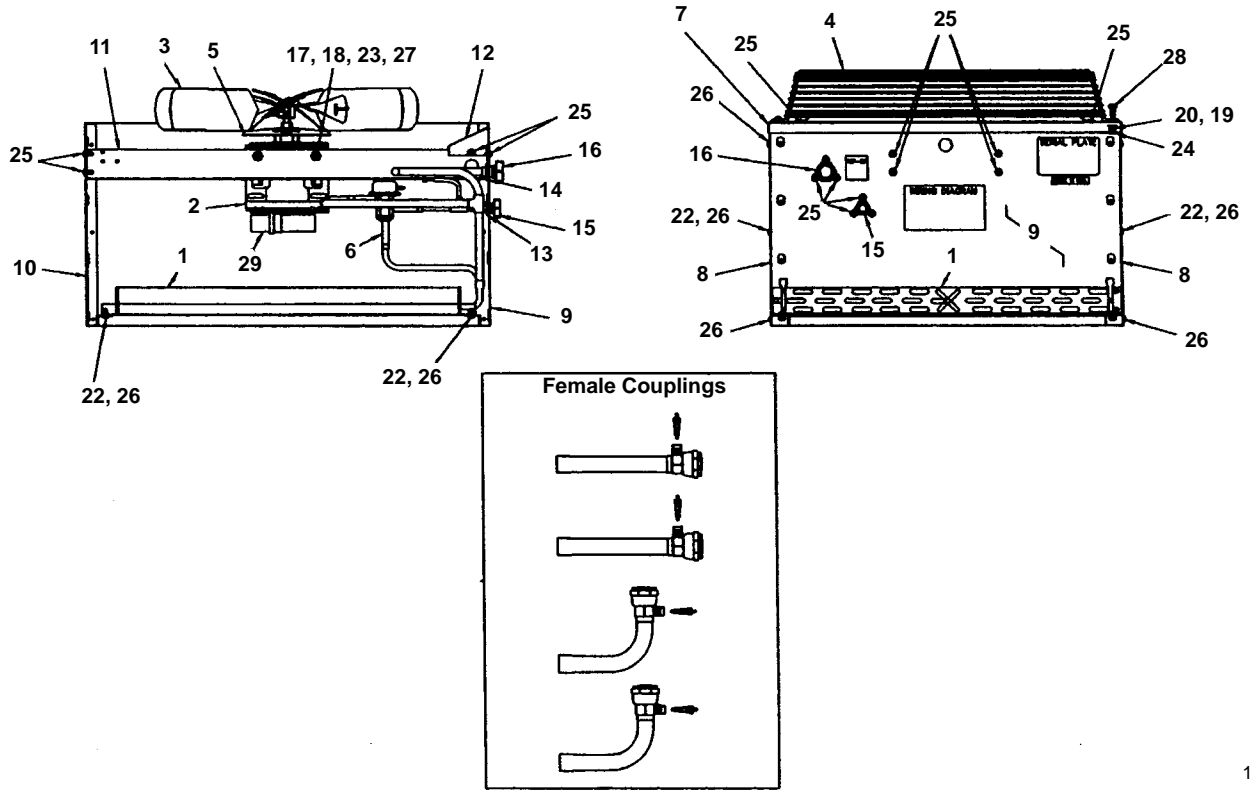
13 Air Baffle	600220-1
14 Front Panel Assembly	† 76-2525-3
15 LH Side Panel, Air	600052-1
16 RH Side Panel, Air	600053-1
17 Side Panel, Water or Remote	600060-1
18 Top Cover	600068-1

STAINLESS STEEL

19 Air Baffle	600220-3
20 Front Panel Assembly	† 76-2526-3
21 LH Side Panel, Air	600052-3
22 RH Side Panel, Air	600053-3
23 Side Panel, Water or Remote	600060-3
24 Top Cover	600068-3

† Refer to Cross Reference Guide

J0495 REMOTE CONDENSER



1418

COMMON PARTS

	PART NO.
1 Air Condenser.....	† 88-5063-9
2 Fan Motor, 115V 60 Hz.....	† 76-2942-3
3 Fan Blade.....	24-1611-3
4 Fan Guard.....	34-0064-3
5 Rain Slinger.....	24-1505-3
6 Head Pressure Control.....	83-6809-3
7 Top Cover.....	† 601775-1
8 Panel, Side.....	† 601774-1
9 Panel, Rear.....	† 601773-1
10 Panel, Front.....	† 601772-1
11 Base Bracket.....	† 601768-1
12 Electrical Cover.....	† 601776-1
13 Mounting Flange .25 x .38.....	83-6005-3
14 Mounting Flange .50 x .88.....	83-6006-3
15 Coupling, Male .63-18.....	† 83-6034-3
16 Coupling, Male 1.06-12.....	† 83-6035-3
17 Lockwasher .31 Split.....	† 55-7313-9
18 Washer – Flat .31 ID.....	† 55-7309-9
19 Washer – Flat .25 Stainless.....	† 55-7304-9
20 Lockwasher .25 Split Stainless.....	† 55-4511-9
21 Lockwasher #10 Int. Phos.....	† 55-4464-9
22 Lockwasher #8 Int. Phos.....	† 55-4459-9
23 Nut .31-18 Steel Hex.....	54-2975-9
24 Nut .25-20 Steel Hex.....	† 54-2952-9
25 Screw, #10-24 x .50.....	† 52-0206-9
26 Screw, #8 x .5.....	† 51-2153-9
27 Screw, .31-18 x .62.....	† 50-3565-9
28 Screw, .25-2 x .62.....	† 50-3345-9
29 Fan Capacitor.....	No Longer Available
30 Female Coupling Kit.....	Sales K0129

† Refer to Cross Reference Guide

INTENTIONALLY LEFT BLANK