



**Ice Machine Parts List for  
Series J0800 Models**

**JR0800A**

**JD0892N**

**JR0801W**

**JY0804A**

**JR0890N**

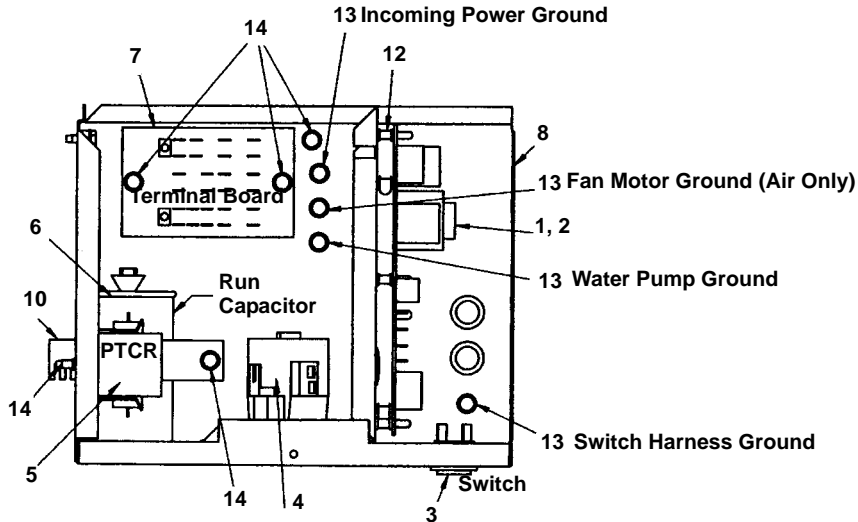
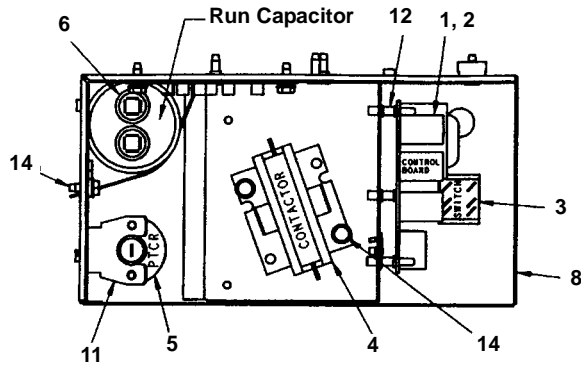
**JY0805W**

**JD0802A**

**JY0894N**

**JD0803W**

# J0800 CONTROL BOX



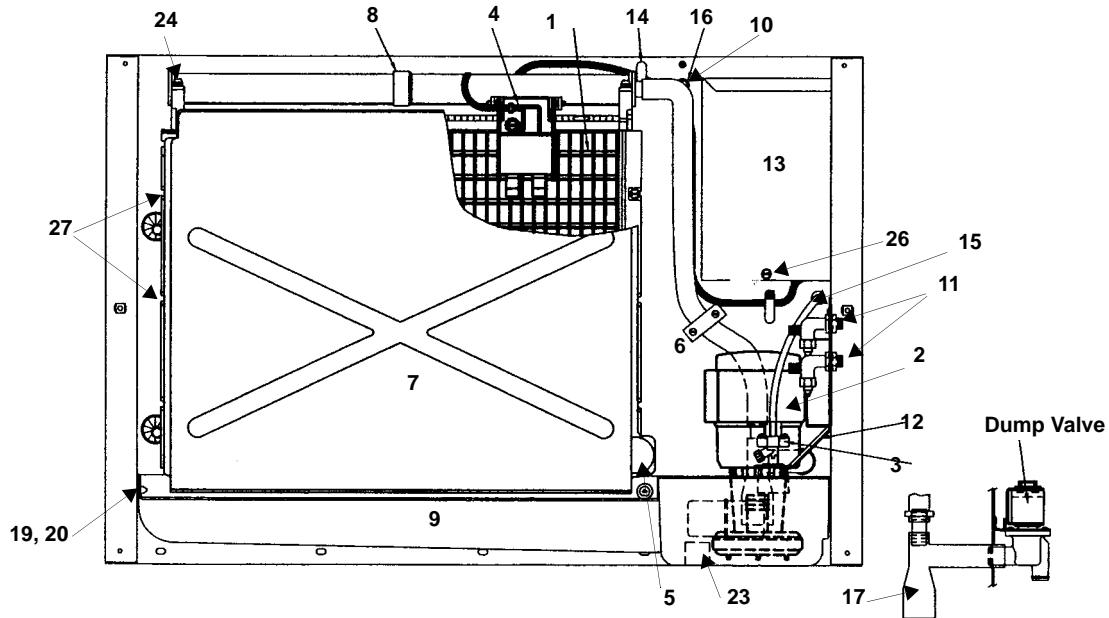
1431

## DESCRIPTION

| DESCRIPTION                                                  | PART NO.    |
|--------------------------------------------------------------|-------------|
| 1 <b>Control Board</b> (For use with all voltages) . . . . . | † 76-2782-3 |
| 2 <b>Fuses – Mounted On Control Board</b>                    |             |
| a. 7 Amp . . . . .                                           | 25-1100-3   |
| b. .125 Amp 60 Hz Mini Fuse . . . . .                        | † 25-1116-9 |
| c. .100 Amp 50 Hz Mini Fuse . . . . .                        | 25-1105-3   |
| 3 <b>Toggle Switch Only</b> . . . . .                        | 23-0134-3   |
| a. Toggle Switch With Wiring Harness Attached . . . . .      | 20-3217-3   |
| 4 <b>Contactors</b>                                          |             |
| a. 208-230V/60 Hz/1 Ph or 230V/50 Hz/1 Ph . . . . .          | † 20-0659-9 |
| b. 208-230V/60 Hz/3 Ph or 230V/50 Hz/3 Ph . . . . .          | † 20-0116-3 |
| 5 <b>P.T.C.R. Compressor Starter</b> . . . . .               | 85-0499-3   |
| 6 <b>Compressor Run Capacitor</b>                            |             |
| a. 60 Hz For Bristol . . . . .                               | 20-1014-3   |
| b. 50 Hz For Bristol . . . . .                               | 85-0393-3   |
| c. 50-60 Hz For Tecumseh . . . . .                           | † 20-1013-3 |
| 7 <b>Terminal Board With Wire Harness Attached</b>           |             |
| a. 60 Hz/1 Ph . . . . .                                      | 20-3208-3   |
| b. 50 Hz/1 Ph . . . . .                                      | 20-3209-3   |
| c. 50-60 Hz/3 Ph . . . . .                                   | 20-3210-3   |
| <b>Miscellaneous – Brackets, Screws, etc.</b>                |             |
| 8 Control Box . . . . .                                      | 602046-1    |
| 9 Control Box Cover (Not shown) . . . . .                    | † 76-2507-3 |
| 10 Compressor Run Capacitor Mounting Bracket . . . . .       | 602495-1    |
| 11 P.T.C.R. Compressor Starter Mounting Bracket . . . . .    | 85-0501-3   |
| 12 Control Board Mounting Supports . . . . .                 | 43-0225-3   |
| 13 Screw, #10-24 x .50 Ground . . . . .                      | † 52-0216-9 |
| 14 Screw, #10-24 x .50 Hex Head . . . . .                    | † 52-0206-9 |

† Refer to Cross Reference Guide

# J0800 EVAPORATOR COMPARTMENT



1432

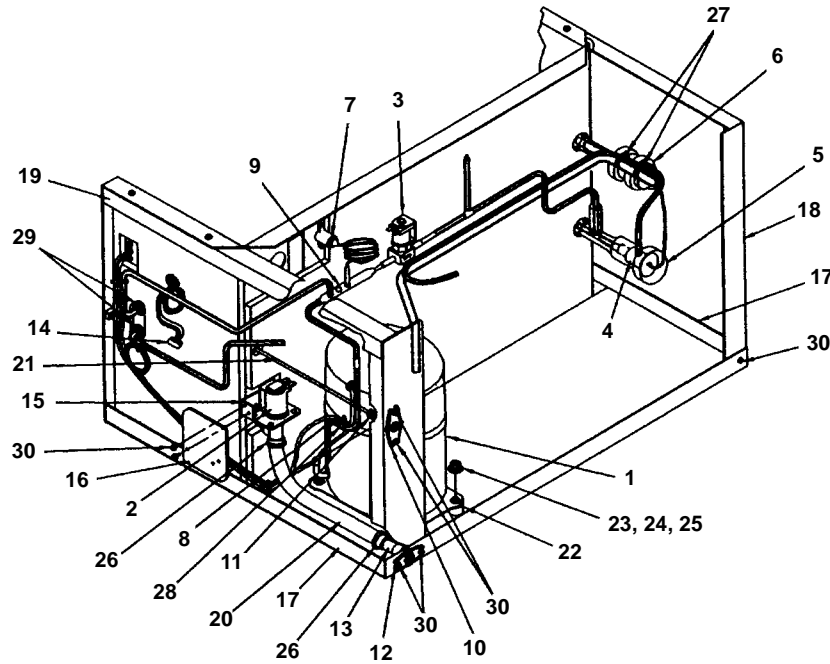
## DESCRIPTION

## PART NO.

|                                                                     |             |
|---------------------------------------------------------------------|-------------|
| <b>1 Evaporator Assembly</b>                                        |             |
| a. Regular Cube . . . . .                                           | † 76-2473-9 |
| b. Dice Cube . . . . .                                              | † 76-2472-9 |
| c. Half Dice Cube . . . . .                                         | † 76-2471-9 |
| d. Gasket/Top Molding Assembly . . . . .                            | 76-2621-3   |
| <b>2 Water Pump</b>                                                 |             |
| a. 208-230V/60 Hz . . . . .                                         | † 76-2601-3 |
| b. 230V/50 Hz . . . . .                                             | † 14-8027-9 |
| <b>3 Float Valve (Complete Assembly)</b>                            | 83-6913-9   |
| a. Float Valve Screen . . . . .                                     | † 83-6906-9 |
| b. Float Valve Plunger . . . . .                                    | † 83-6908-9 |
| c. Float Valve Compression Nut . . . . .                            | † 56-5072-9 |
| <b>4 Ice Thickness Control</b>                                      | † 76-2781-3 |
| <b>5 Magnetic Bin Switch (Mounted to Evaporator)</b>                | † 23-0148-3 |
| <b>6 Water Flow Clamp (Use on Regular Cube Evap. Only)</b>          | 76-2054-3   |
| <b>7 Water Curtain</b>                                              | 40-0851-3   |
| a. Water Curtain Hanger . . . . .                                   | 76-2776-3   |
| b. Water Curtain Magnet And Clip . . . . .                          | † 76-2802-3 |
| <b>8 Water Distribution Tube</b>                                    | † 76-2498-3 |
| <b>9 Water Trough</b>                                               | † 76-2748-3 |
| <b>10 High Pressure Cut-out (Refrigeration System)</b>              | † 23-5536-9 |
| <b>11 Refrigeration Service Valve Assembly</b>                      | † 83-7310-9 |
| <b>Miscellaneous – Brackets, Screws, etc.</b>                       |             |
| <b>12 Float Valve Mounting Bracket</b>                              | † 76-2140-3 |
| <b>13 Control Box Cover</b>                                         | † 76-2507-3 |
| <b>14 Nylon Spring Clip</b>                                         | † 56-5090-9 |
| <b>15 Tubing, Vinyl .25 OD (Water Inlet)</b>                        | 44-2029-1   |
| <b>16 Tubing, Vinyl .625 ID (Water Pump Out)</b>                    | 44-2084-3   |
| <b>17 Reducing Tee (Rubber)</b>                                     | 43-0057-3   |
| <b>18 Union Connector (White Nylon)</b>                             | 83-9005-3   |
| <b>19 Water Trough Support Pin (Order Nylon Hex Nut Separately)</b> | † 43-0201-9 |
| <b>20 Water Trough Support Pin Nylon Hex Nut</b>                    | † 54-2945-9 |
| <b>21 Clip-in Receptacle (Female Side)</b>                          | 56-5085-3   |
| <b>22 Clip-in Receptacle Wing Nut (Male Side)</b>                   | 56-5086-3   |
| <b>23 Water Trough Support Clip</b>                                 | † 76-2704-3 |
| <b>24 Screw, #8-32 x .63 Nylon Water Distribution Tube Mounting</b> | † 50-0001-3 |
| <b>25 Screw Used to Mount High Pressure Cut-out</b>                 | † 51-2166-9 |
| <b>26 Screw, # 10-24 x .50</b>                                      | † 52-0206-9 |
| <b>27 Screw, #10-24 x .750 Used to Mount Evaporator</b>             | † 52-0218-9 |

† Refer to Cross Reference Guide

# J0800 COMMON PARTS



1433

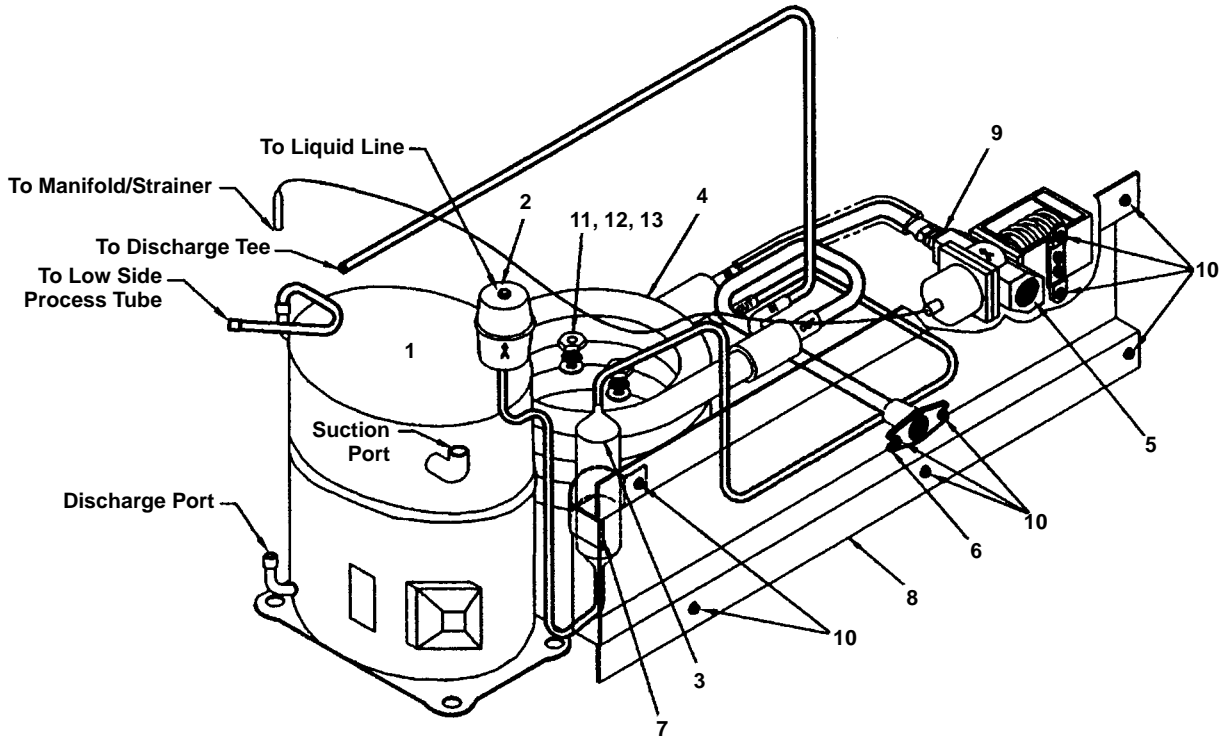
## DESCRIPTION

|    |                                                                       | <b>PART NO.</b>     |
|----|-----------------------------------------------------------------------|---------------------|
| 1  | <b>Compressor</b>                                                     |                     |
|    | a. 208/230V/60 Hz/1 Ph . . . . .                                      | † 76-2815-3         |
|    | b. 230V/50 Hz/1 Ph . . . . .                                          | † 76-2817-3         |
|    | c. 208/230V/60 Hz/3 Ph . . . . .                                      | † 76-2816-3         |
| 2  | <b>Water Dump Valve</b>                                               |                     |
|    | a. Dump Valve Rebuild Kit . . . . .                                   | No Longer Available |
|    | b. Dump Valve, 208/230V 50/60 Hz . . . . .                            | 000001768           |
| 3  | <b>Hot Gas Valve</b>                                                  |                     |
|    | a. Hot Gas Valve Including 208/230V 50/60 Hz Coil (Danfoss) . . . . . | † 76-3011-1         |
|    | b. Hot Gas Valve 208/230V 50/60 Hz Coil Only . . . . .                | † 24-0448-3         |
| 4  | Expansion Valve . . . . .                                             | † 76-0021-3         |
| 5  | Expansion Valve Body Insulation Boot                                  |                     |
|    | a. Alco . . . . .                                                     | 40-0721-3           |
|    | b. Danfoss . . . . .                                                  | 40-0036-3           |
| 6  | Expansion Valve Bulb Insulation Boot . . . . .                        | 40-0720-3           |
| 7  | High Pressure Cut-out Control . . . . .                               | † 23-5536-9         |
| 8  | Thermistor . . . . .                                                  | 23-5116-3           |
| 9  | Manifold Strainer . . . . .                                           | 83-1015-3           |
| 10 | Water Inlet Female Wing Adapter . . . . .                             | † 87-0609-3         |
| 11 | Water Inlet Union (Compression Nut) . . . . .                         | 13-6096-1           |
| 12 | Water Drain Female Wing Adapter . . . . .                             | 17-0602-1           |
| 13 | Water Drain Copper Tube Insert . . . . .                              | 11048-1             |
| 14 | Water Pump Electrical Wire Lead . . . . .                             | † 20-7810-3         |
|    | <b>Miscellaneous – Brackets, Screws, etc.</b>                         |                     |
| 15 | Dump Valve Mounting Bracket . . . . .                                 | 626031-4            |
| 16 | Dump Valve Shield (Used on Air-cooled Models Only) . . . . .          | † 70-0062-3         |
| 17 | Base Angle . . . . .                                                  | † 601287-1          |
| 18 | Left Corner Post Weldment . . . . .                                   | 600085-1            |
| 19 | Right Corner Post Weldment . . . . .                                  | 600085-2            |
| 20 | Water Drain Vinyl Tubing, .625 ID . . . . .                           | † 44-2038-3         |
| 21 | Water Inlet Vinyl Tubing, .25 ID . . . . .                            | 44-2029-1           |
| 22 | Compressor Mounting Rubber Grommet . . . . .                          | † 85-0306-9         |
| 23 | Compressor Mounting Sleeve (Inserts into Grommet) . . . . .           | † 85-0394-9         |
| 24 | Compressor Mounting Nut . . . . .                                     | † 54-3002-9         |
| 25 | Compressor Mounting Washer . . . . .                                  | † 55-7309-9         |
| 26 | Clamp, Water Drain . . . . .                                          | † 56-5070-9         |
| 27 | Clamp, Expansion Valve Bulb . . . . .                                 | † 56-5052-9         |
| 28 | Clamp, Thermistor . . . . .                                           | 56-5077-3           |
| 29 | Locknut Used to Fasten Refrigerant Service Valves . . . . .           | † 54-7503-9         |
| 30 | Screw, #10-24 x .50 . . . . .                                         | † 52-0206-9         |

† Refer to Cross Reference Guide



# J0800 WATER-COOLED



1435

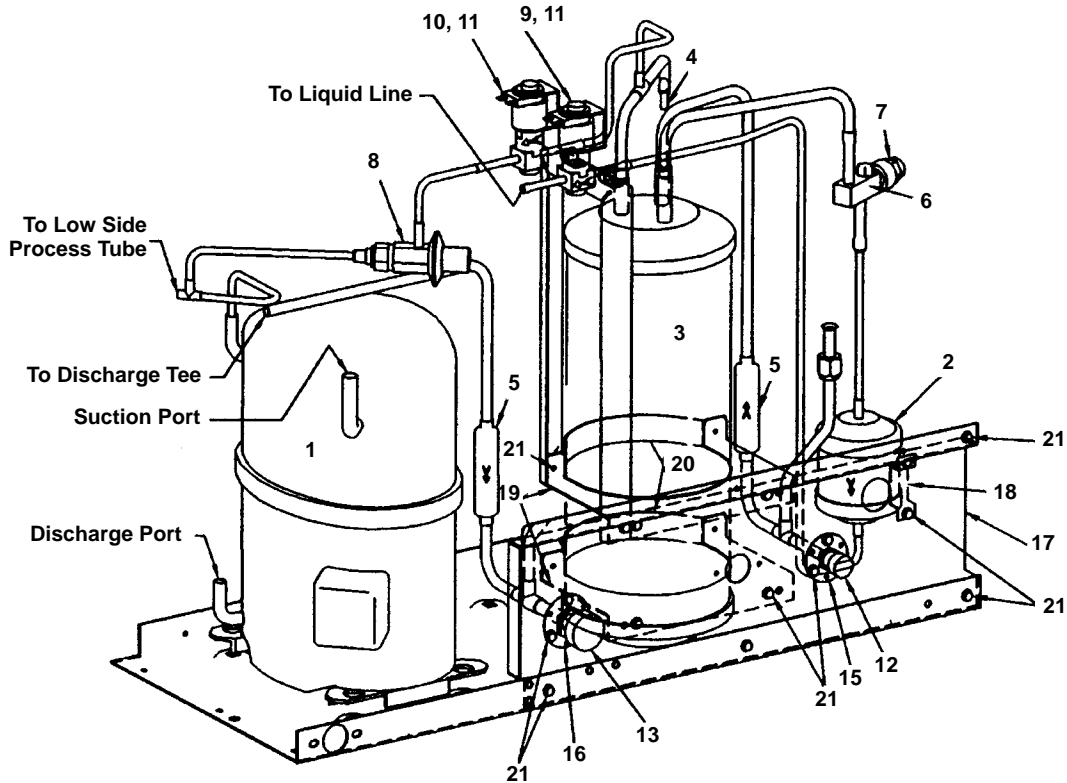
## DESCRIPTION

| DESCRIPTION                                    | PART NO.    |
|------------------------------------------------|-------------|
| 1 Compressor (Refer to COMMON PARTS) . . . . . | Page 4      |
| 2 Drier . . . . .                              | † 89-3025-9 |
| 3 Receiver . . . . .                           | 89-0012-3   |
| 4 Water-cooled Condenser . . . . .             | † 88-6516-7 |
| 5 Water Regulating Valve . . . . .             | † 83-7206-9 |
| 6 Water Drain Female Wing Adapter . . . . .    | 87-0612-3   |

## Miscellaneous – Brackets, Screws, etc.

|                                  |             |
|----------------------------------|-------------|
| 7 Receiver Strap . . . . .       | 600054-1    |
| 8 Back Panel . . . . .           | 600057-1    |
| 9 Water Coupling . . . . .       | 83-3203-3   |
| 10 Screw, #10-24 x .50 . . . . . | † 52-0206-9 |
| 11 Flat Washer . . . . .         | † 55-7309-9 |
| 12 Lockwasher . . . . .          | † 55-4514-9 |
| 13 Nut . . . . .                 | † 54-3002-9 |

# J0800 REMOTE



1436

## DESCRIPTION

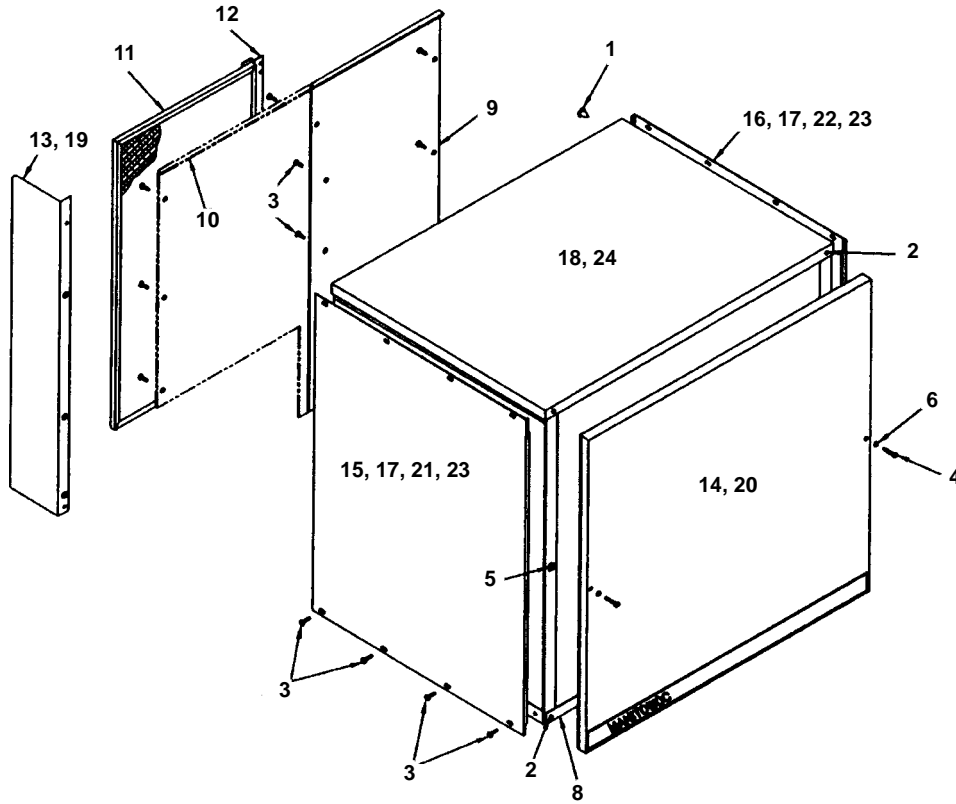
|                                                                                         | <b>PART NO.</b> |
|-----------------------------------------------------------------------------------------|-----------------|
| 1 Compressor (Refer to COMMON PARTS) . . . . .                                          | Page 4          |
| 2 Drier . . . . .                                                                       | 89-3024-9       |
| 3 Receiver . . . . .                                                                    | † 76-2957-3     |
| 4 Safety Soft Plug . . . . .                                                            | † 628451-9      |
| 5 Magni-Check Valve . . . . .                                                           | † 83-7314-9     |
| 6 Receiver Service Valve . . . . .                                                      | † 83-7316-9     |
| 7 Cap (For Liquid Line Service Valve) . . . . .                                         | 56-5075-3       |
| 8 HPR Pressure Regulating Valve . . . . .                                               | † 83-6779-3     |
| 9 Liquid Line Solenoid Valve (LLS), Includes 208/230V 50/60 Hz Coil (Danfoss) . . . . . | † 76-3008-1     |
| 10 HPR Solenoid Valve, Includes 208/230V 50/60 Hz Coil (Danfoss) . . . . .              | † 76-3006-1     |
| 11 Alco 230V Coil Only, for LLS and HPR Valves. . . . .                                 | † 24-0448-3     |
| 12 Coupling – Male, 5/8-18. . . . .                                                     | † 83-6034-3     |
| 13 Coupling – Male, 1-1/6-12 . . . . .                                                  | † 83-6035-3     |
| 14 Coupling Kit – Female (On Line Set, Not shown) . . . . .                             | Sales K0129     |

## Miscellaneous – Brackets, Screws, etc.

|                                                       |             |
|-------------------------------------------------------|-------------|
| 15 Coupling Mounting Flange (for 5/8-18) . . . . .    | 83-6005-3   |
| 16 Coupling Mounting Flange (for 1-1/16-12) . . . . . | 83-6006-3   |
| 17 Back Panel . . . . .                               | 600057-1    |
| 18 Drier Support Bracket. . . . .                     | 601737-1    |
| 19 Receiver Mounting Bracket . . . . .                | 600056-1    |
| 20 Receiver Mounting Strap . . . . .                  | 630721-4    |
| 21 Screw, #10-24 x .50 . . . . .                      | † 52-0206-9 |

† Refer to Cross Reference Guide

# J0800 PANELS



1437

## COMMON PARTS

|                                          | <b>PART NO.</b> |
|------------------------------------------|-----------------|
| 1 Canoe Clip Fastener . . . . .          | † 56-4820-9     |
| 2 Screw, #10-24 x .50 Flat . . . . .     | † 52-0209-9     |
| 3 Screw, #10-24 x .50 Hex . . . . .      | † 52-0206-9     |
| 4 Screw, #8-32 x 1.25 . . . . .          | † 50-2668-9     |
| 5 Cage Nut 8-12 . . . . .                | † 54-2910-9     |
| 6 "O" Ring . . . . .                     | † 37-1819-9     |
| 7 Extruded Tape (Not shown) . . . . .    | † 92-0250-9     |
| 8 Front Support . . . . .                | † 658041-9      |
| 9 Back Panel, Air . . . . .              | 600069-1        |
| 10 Back Panel, Water or Remote . . . . . | 600070-1        |
| 11 Air Filter . . . . .                  | 40-4004-3       |
| 12 Filter Bracket . . . . .              | † 76-2686-3     |

## FAWN

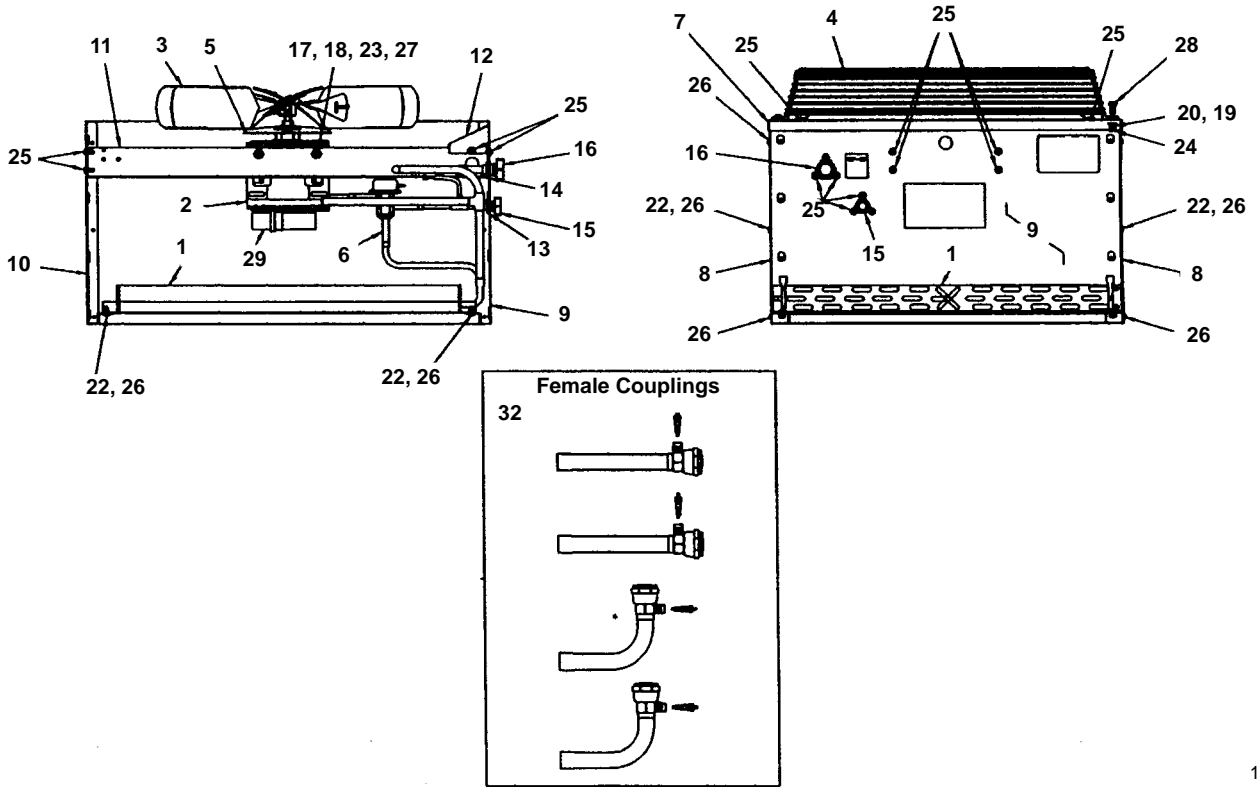
|                                          |           |
|------------------------------------------|-----------|
| 13 Air Baffle . . . . .                  | 600222-1  |
| 14 Front Panel Assembly . . . . .        | 76-2462-3 |
| 15 LH Side Panel, Air . . . . .          | 600064-1  |
| 16 RH Side Panel . . . . .               | 600065-1  |
| 17 Side Panel, Water or Remote . . . . . | 600066-1  |
| 18 Top Cover . . . . .                   | 600068-1  |

## STAINLESS STEEL

|                                          |           |
|------------------------------------------|-----------|
| 19 Air Baffle . . . . .                  | 600222-3  |
| 20 Front Panel Assembly . . . . .        | 76-2463-3 |
| 21 LH Side Panel, Air . . . . .          | 600064-3  |
| 22 RH Side Panel . . . . .               | 600065-3  |
| 23 Side Panel, Water or Remote . . . . . | 600066-3  |
| 24 Top Cover . . . . .                   | 600068-3  |

† Refer to Cross Reference Guide

# JC0895 REMOTE CONDENSER



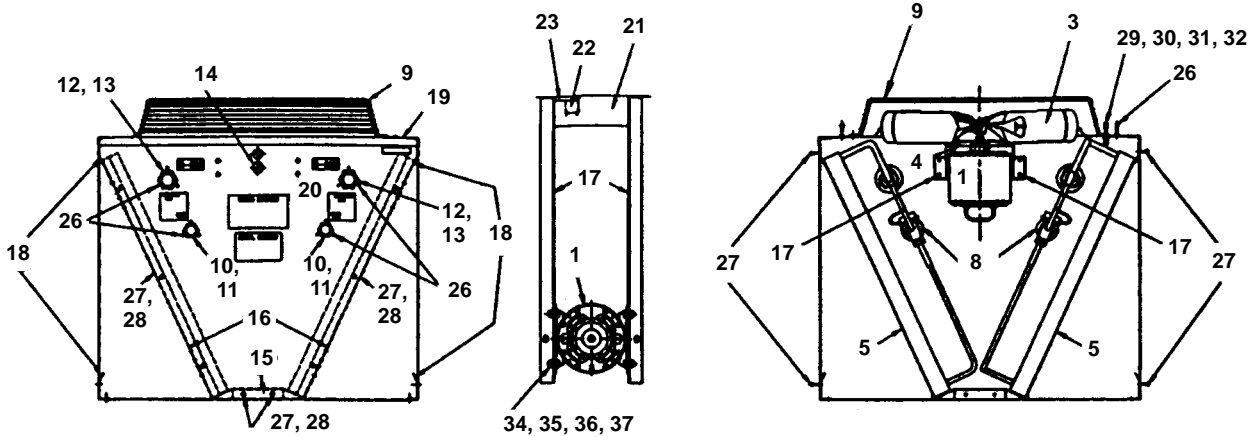
1438

## COMMON PARTS

|                                              | <b>PART NO.</b>     |
|----------------------------------------------|---------------------|
| 1 Air Condenser . . . . .                    | † 88-5062-9         |
| 2 Fan Motor, 208-230V/50-60 Hz . . . . .     | † 76-2941-3         |
| 3 Fan Blade . . . . .                        | 24-1611-3           |
| 4 Fan Guard . . . . .                        | 34-0064-3           |
| 5 Rain Slinger . . . . .                     | 24-1505-3           |
| 6 Head Pressure Control . . . . .            | 83-6809-3           |
| 7 Top Cover . . . . .                        | † 601775-1          |
| 8 Panel, Side . . . . .                      | † 601774-1          |
| 9 Panel, Rear . . . . .                      | † 601773-1          |
| 10 Panel, Front . . . . .                    | † 601772-1          |
| 11 Base Bracket . . . . .                    | † 601768-1          |
| 12 Electrical Cover . . . . .                | † 601776-1          |
| 13 Mounting Flange .25 x .38 . . . . .       | 83-6005-3           |
| 14 Mounting Flange .50 x .88 . . . . .       | 83-6006-3           |
| 15 Coupling, Male .63-18 . . . . .           | † 83-6034-3         |
| 16 Coupling, Male 1.06-12 . . . . .          | † 83-6035-3         |
| 17 Lockwasher .31 Split . . . . .            | † 55-7313-9         |
| 18 Washer – Flat .31 ID . . . . .            | † 55-7309-9         |
| 19 Washer – Flat .25 Stainless . . . . .     | † 55-7304-9         |
| 20 Lockwasher .25 Split Stainless . . . . .  | † 55-4511-9         |
| 21 Lockwasher #10 Int. Phos. . . . .         | † 55-4464-9         |
| 22 Lockwasher #8 Int. Phos. . . . .          | † 55-4459-9         |
| 23 Nut .31-18 Steel Hex . . . . .            | 54-2975-9           |
| 24 Nut .25-20 Steel Hex . . . . .            | † 54-2952-9         |
| 25 Screw, #10-24 x .62 . . . . .             | † 52-0206-9         |
| 26 Screw, #8 x .5 . . . . .                  | † 51-2153-9         |
| 27 Screw, .31-18 x .62 . . . . .             | † 50-3565-9         |
| 28 Screw, .25-2 x .62 . . . . .              | † 50-3345-9         |
| 29 Fan Capacitor (Emerson) . . . . .         | 85-0458-3           |
| 29 Fan Capacitor (Magnatec) . . . . .        | No Longer Available |
| 30 Terminal Block . . . . .                  | 20-0614-3           |
| 31 Terminal Block Mounting Bracket . . . . . | 600868-1            |
| 32 Female Coupling Kit . . . . .             | Sales K0129         |
| 33 Mounting Legs (Not shown) . . . . .       | † 601769-1          |

† Refer to Cross Reference Guide

## DC0862 REMOTE CONDENSER



1439

### COMMON PARTS

|                                                              | <b>PART NO.</b>     |
|--------------------------------------------------------------|---------------------|
| 1 Fan Motor, 115V/60 Hz . . . . .                            | † 76-2942-3         |
| 2 Capacitor for Fan Motor . . . . .                          | No Longer Available |
| 3 Fan Blade . . . . .                                        | 24-1611-3           |
| 4 Rain Slinger . . . . .                                     | 24-1505-3           |
| 5 Air Condenser (Uses 2) . . . . .                           | † 88-5062-9         |
| 6 Back Panel (Not shown) . . . . .                           | † 601788-1          |
| 7 Legs (Not shown) . . . . .                                 | † 601769-1          |
| 8 Headmaster Control . . . . .                               | 83-6809-3           |
| 9 Fan Guard . . . . .                                        | 34-0064-3           |
| 10 Male Coupling 5/8 - 18 THR . . . . .                      | † 83-6034-3         |
| 11 Coupling Flange for 83-6034-3 . . . . .                   | 83-6005-3           |
| 12 Male Coupling 1-1/16 - 12 THR . . . . .                   | † 83-6035-3         |
| 13 Coupling Flange for 83-6035-3 . . . . .                   | 83-6006-3           |
| 14 Hole Plug for 7/8" Hole . . . . .                         | 43-0146-3           |
| 15 Base . . . . .                                            | 601779-1            |
| 16 Condenser Mounting Angle . . . . .                        | 601777-1            |
| 17 Fan Mounting Bracket Also Used As Base Bracket . . . . .  | † 601768-1          |
| 18 Support Bracket . . . . .                                 | † 601778-1          |
| 19 Top Cover . . . . .                                       | 601789-1            |
| 20 Front Panel . . . . .                                     | † 601787-1          |
| 21 Electrical Box Cover . . . . .                            | † 601776-1          |
| 22 Relay . . . . .                                           | 24-0819-3           |
| 23 Relay Mounting Bracket . . . . .                          | 600000-1            |
| 24 Transformer (Not shown) . . . . .                         | 24-1027-3           |
| 25 Electrical Junction Box (Not shown) . . . . .             | 25-1501-3           |
| 26 Screw, #10-24 x .62 . . . . .                             | † 52-0206-9         |
| 27 Screw, #8 x .50 . . . . .                                 | † 51-2153-9         |
| 28 Lockwasher, #8 . . . . .                                  | † 55-4459-9         |
| 29 Screw, .25 x .62 . . . . .                                | † 50-3345-9         |
| 30 Lockwasher .25 Split SS . . . . .                         | † 55-4511-9         |
| 31 Washer, Flat .25 SS . . . . .                             | † 55-7304-9         |
| 32 Nut .25-20 Steel Hex . . . . .                            | † 54-2952-9         |
| 33 Lockwasher #10 . . . . .                                  | † 55-4464-9         |
| 34 Screw, 31-18 x .62 Hex Head . . . . .                     | † 50-3565-9         |
| 35 Nut .31-18 Steel Hex Head . . . . .                       | 54-2975-9           |
| 36 Washer, Flat .31 ID . . . . .                             | † 55-7309-9         |
| 37 Lockwasher, .31 Split Zinc . . . . .                      | † 55-7313-9         |
| 38 Line Set Female Coupling 1-1/16 - 12, 90 Degree . . . . . | † 83-6026-3         |
| 39 Line Set Female Coupling Straight 1-1/16 - 12 . . . . .   | 83-6027-3           |
| 40 Line Set Female Coupling 5/8 - 18, 90 Degree . . . . .    | 83-6047-3           |
| 41 Line Set Female Coupling Straight 5/8 - 18 . . . . .      | 83-6048-3           |
| 42 Access Fitting Core For Couplings . . . . .               | 76-2684-3           |

**NOTE:** Items 22, 23, 24 and 25 are used only when the optional K-00095 relay/transformer kit has been installed.

† Refer to Cross Reference Guide