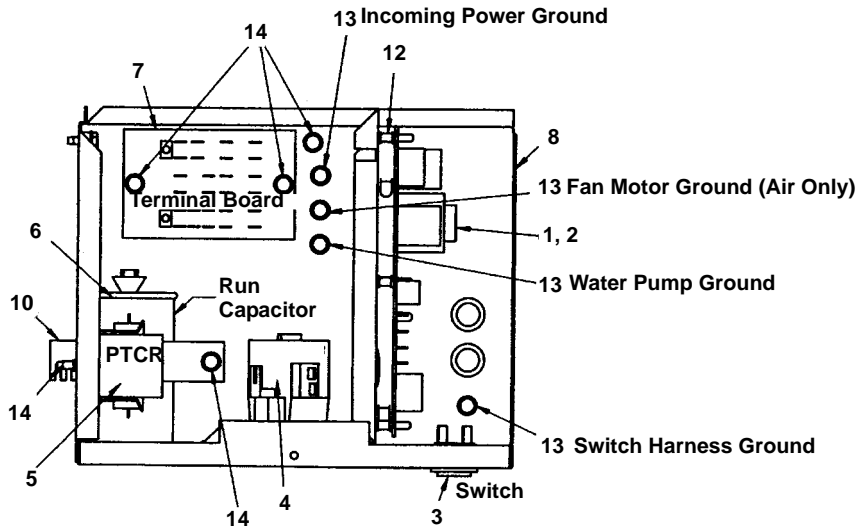
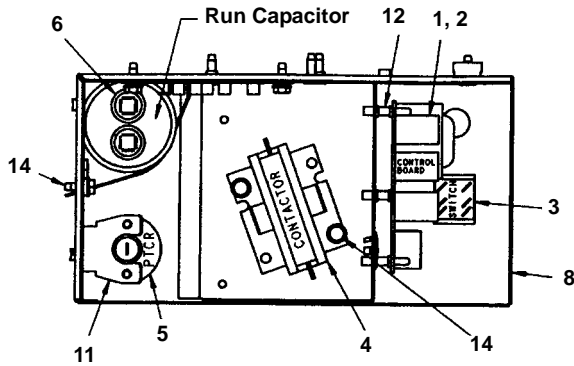




**Ice Machine Parts List for  
Series J1000 Models**

<b>JR1000A</b>	<b>JD1092N</b>
<b>JR1001W</b>	<b>JY1004A</b>
<b>JR1090N</b>	<b>JY1005W</b>
<b>JD1002A</b>	<b>JY1094N</b>
<b>JD1003W</b>	

# J1000 CONTROL BOX



1441

## DESCRIPTION

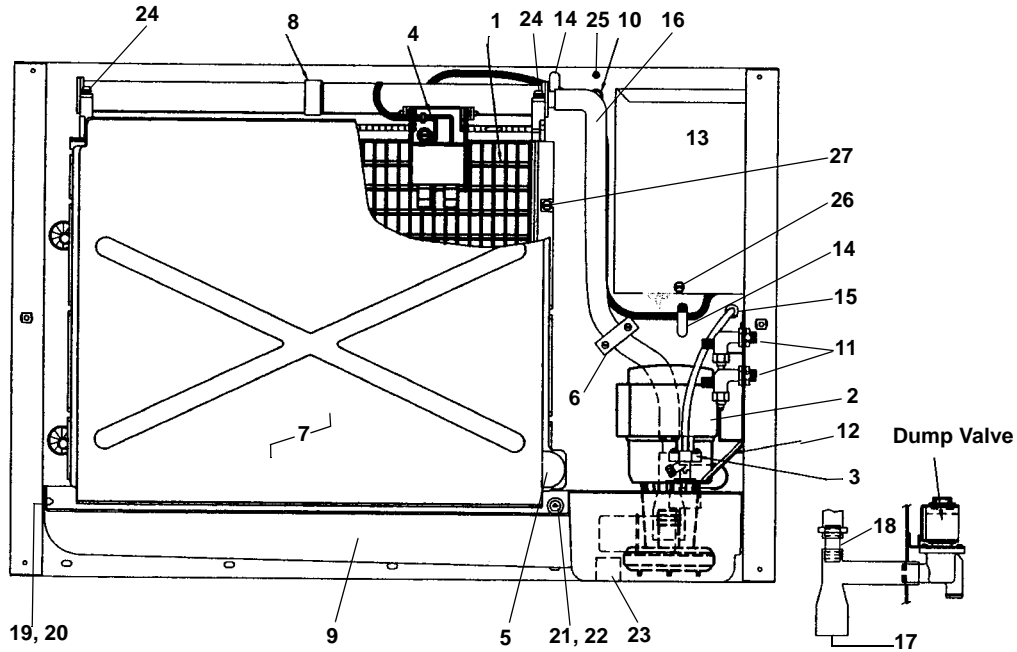
	<b>PART NO.</b>
1 <b>Control Board</b> (For use with all voltages) .....	† 76-2782-3
2 <b>Fuses – Mounted On Control Board</b> .....	
a. 7 Amp .....	25-1100-3
b. .125 Amp 60 Hz Mini Fuse .....	† 25-1116-9
c. .100 Amp 50 Hz Mini Fuse .....	25-1105-3
3 <b>Toggle Switch Only</b> .....	23-0134-3
a. Toggle Switch With Wiring Harness Attached .....	20-3217-3
4 <b>Contactors</b> .....	
a. 208-230V/60 Hz/1 Ph or 230V/50 Hz/1 Ph .....	† 20-0659-9
b. 208-230V/60 Hz/3 Ph or 230V/50 Hz/3 Ph .....	† 20-0116-3
5 <b>P.T.C.R. Compressor Starter</b> .....	85-0499-3
6 <b>Compressor Run Capacitor</b> .....	
a. 60 Hz .....	† 20-1013-3
b. 50 Hz For Bristol .....	† 000000028
c. 50 Hz For Tecumseh .....	000001395
7 <b>Terminal Board With Wire Harness Attached</b> .....	
a. 60 Hz/1 Ph .....	20-3208-3
b. 50 Hz/1 Ph .....	20-3209-3
c. 50-60 Hz/3 Ph .....	20-3210-3

## Miscellaneous – Brackets, Screws, etc.

8 Control Box .....	602046-1
9 Control Box Cover (Not shown) .....	† 76-2507-3
10 Run Capacitor Mounting Bracket .....	602495-1
11 P.T.C.R. Compressor Starter Mounting Bracket .....	85-0501-3
12 Control Board Mounting Supports .....	43-0225-3
13 Screw, #10-24 x .50 Ground .....	† 52-0216-9
14 Screw, #10-24 x .50 Hex Head .....	† 52-0206-9

† Refer to Cross Reference Guide

# J1000 EVAPORATOR COMPARTMENT



1442

## DESCRIPTION

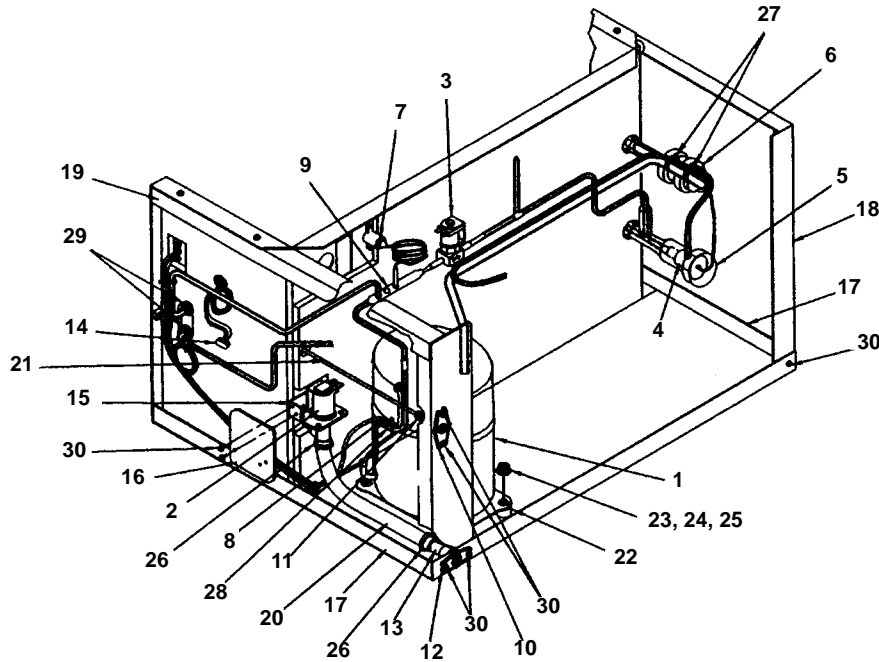
	<b>PART NO.</b>
<b>1 Evaporator Assembly</b>	
a. Regular Cube . . . . .	† 76-2501-9
b. Dice Cube . . . . .	† 76-2502-9
c. Half Dice Cube . . . . .	† 76-2503-9
d. Gasket/Top Molding Assembly . . . . .	76-2621-3
<b>2 Water Pump 208-230V/60 Hz or 230V/50 Hz.</b>	† 14-8027-9
<b>3 Float Valve (Complete Assembly)</b>	83-6913-3
a. Float Valve Screen . . . . .	† 83-6906-9
b. Float Valve Plunger . . . . .	† 83-6908-9
c. Float Valve Compression Nut . . . . .	† 56-5072-9
<b>4 Ice Thickness Control</b>	† 76-2781-3
<b>5 Magnetic Bin Switch (Mounted to Evaporator)</b>	† 23-0148-3
<b>6 Water Flow Clamp (Use on Regular Cube Evap. Only)</b>	76-2054-3
<b>7 Water Curtain</b>	† 40-0473-3
a. Water Curtain Hanger . . . . .	76-2776-3
b. Water Curtain Magnet And Clip . . . . .	† 76-2802-3
<b>8 Water Distribution Tube</b>	† 76-2498-3
<b>9 Water Trough</b>	† 76-2748-3
<b>10 High Pressure Cut-out (Refrigeration System)</b>	† 23-5536-9
<b>11 Refrigeration Service Valve Assembly</b>	† 83-7310-9

## Miscellaneous – Brackets, Screws, etc.

<b>12 Float Valve Mounting Bracket</b>	† 76-2140-3
<b>13 Control Box Cover</b>	† 76-2507-3
<b>14 Nylon Spring Clip</b>	† 56-5090-9
<b>15 Tubing, Vinyl .25 OD (Water Inlet)</b>	44-2029-1
<b>16 Tubing, Vinyl .625 ID (Water Pump Out)</b>	44-2085-3
<b>17 Reducing Tee (Rubber)</b>	43-0057-3
<b>18 Union Connector (White Nylon)</b>	83-9005-3
<b>19 Water Trough Support Pin (Order Nylon Hex Nut Separately)</b>	† 43-0201-9
<b>20 Water Trough Support Pin Nylon Hex Nut</b>	† 54-2945-9
<b>21 Clip-in Receptacle (Female Side)</b>	56-5085-3
<b>22 Clip-in Receptacle Wing Nut (Male Side)</b>	56-5086-3
<b>23 Water Trough Support Clip</b>	† 76-2704-3
<b>24 Screw, #8-32 x .63 Nylon Water Distribution Tube Mounting</b>	† 50-0001-3
<b>25 Screw Used to Mount High Pressure Cut-out</b>	† 51-2166-9
<b>26 Screw, #10-24 x .50</b>	† 52-0206-9
<b>27 Screw, #10-24 x .750 Used to Mount Evaporator</b>	† 52-0218-9

† Refer to Cross Reference Guide

# J1000 COMMON PARTS



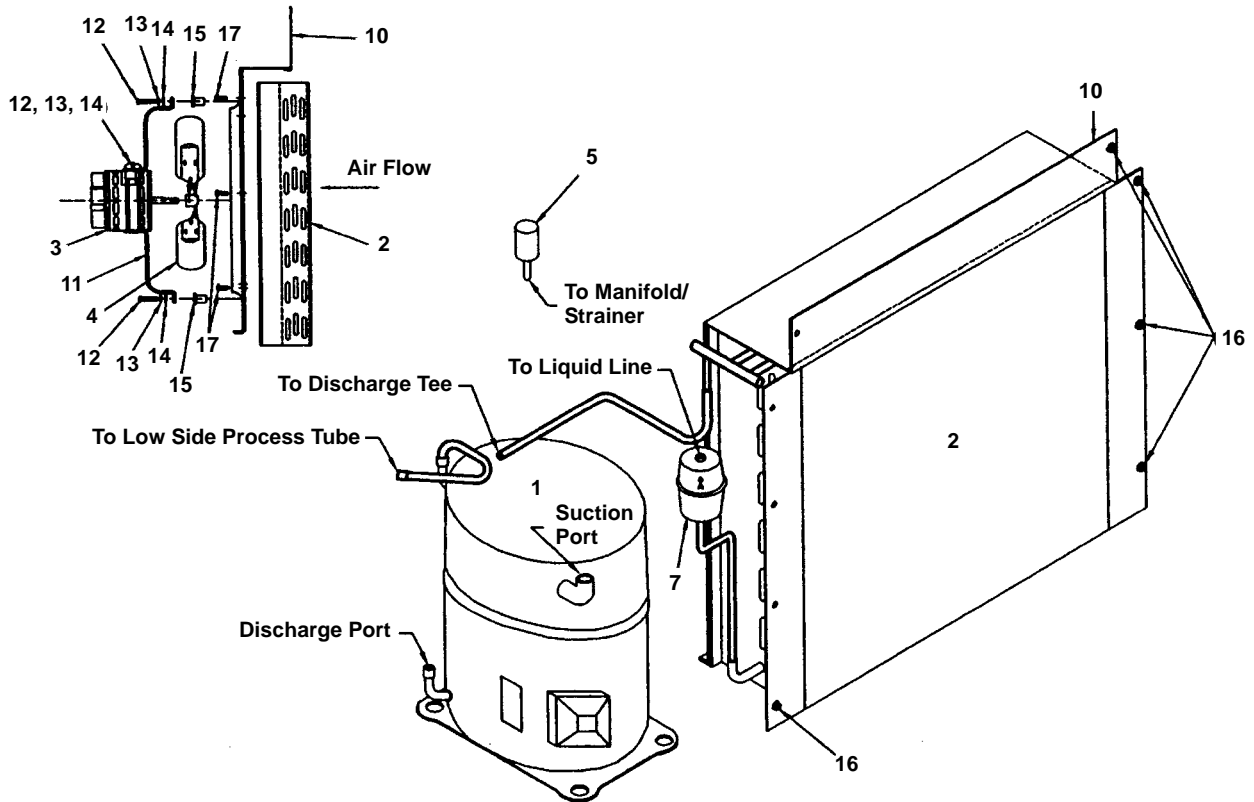
1443

## DESCRIPTION

	DESCRIPTION	PART NO.
1	<b>Compressor</b>	
	a. 208-230V/60 Hz/1 Ph . . . . .	† 76-2818-3
	b. 230V/50 Hz/1 Ph . . . . .	† 76-2820-3
	c. 208-230V/60 Hz/3 Ph . . . . .	† 76-2819-3
2	<b>Water Dump Valve</b>	
	a. Dump Valve Rebuild Kit . . . . .	No Longer Available
	b. Dump Valve, 208-230V/50-60 Hz . . . . .	000001768
3	<b>Hot Gas Valve</b>	
	a. Hot Gas Valve Including 208/230V 50/60 Hz Coil (Danfoss) . . . . .	† 76-3011-1
	b. Hot Gas Valve 208/230V 50/60 Hz Coil Only . . . . .	000002049
	c. Hot Gas Valve 208/230V 50/60 Hz Coil Only Alco . . . . .	† 24-0448-3
4	Expansion Valve . . . . .	† 76-0022-3
5	Expansion Valve Body Insulation Boot	
	a. Alco . . . . .	40-0721-3
	b. Danfoss . . . . .	40-0036-3
6	Expansion Valve Bulb Insulation Boot . . . . .	40-0720-3
7	High Pressure Cut-out Control . . . . .	† 23-5536-9
8	Thermistor . . . . .	23-5116-3
9	Manifold Strainer . . . . .	83-1015-3
10	Water Inlet Female Wing Adapter . . . . .	† 87-0609-3
11	Water Inlet Union (Compression Nut) . . . . .	13-6096-1
12	Water Drain Female Wing Adapter . . . . .	17-0602-1
13	Water Drain Copper Tube Insert . . . . .	11048-1
14	Water Pump Electrical Wire Lead . . . . .	† 20-7810-3
<b>Miscellaneous – Brackets, Screws, etc.</b>		
15	Dump Valve Mounting Bracket . . . . .	626031-4
16	Dump Valve Shield (Used on Air-Cooled Models Only) . . . . .	† 70-0062-3
17	Base Angle . . . . .	† 601287-1
18	Left Corner Post Weldment . . . . .	600266-1
19	Right Corner Post Weldment . . . . .	600266-2
20	Water Drain Vinyl Tubing, .625 ID . . . . .	† 44-2038-3
21	Water Inlet Vinyl Tubing, .25 ID . . . . .	44-2029-1
22	Compressor Mounting Rubber Grommet . . . . .	† 85-0306-9
23	Compressor Mounting Sleeve (Inserts into Grommet) . . . . .	† 85-0394-9
24	Compressor Mounting Nut . . . . .	† 54-3002-9
25	Compressor Mounting Washer . . . . .	† 55-7309-9
26	Clamp, Water Drain . . . . .	† 56-5070-9
27	Clamp, Expansion Valve Bulb . . . . .	† 56-5052-9
28	Clamp, Thermistor . . . . .	56-5077-3
29	Locknut Used to Fasten Refrigerant Service Valves . . . . .	† 54-7503-9
30	Screw, #10-24 x .50 . . . . .	† 52-0206-9

† Refer to Cross Reference Guide

# J1000 AIR-COOLED



1444

## DESCRIPTION

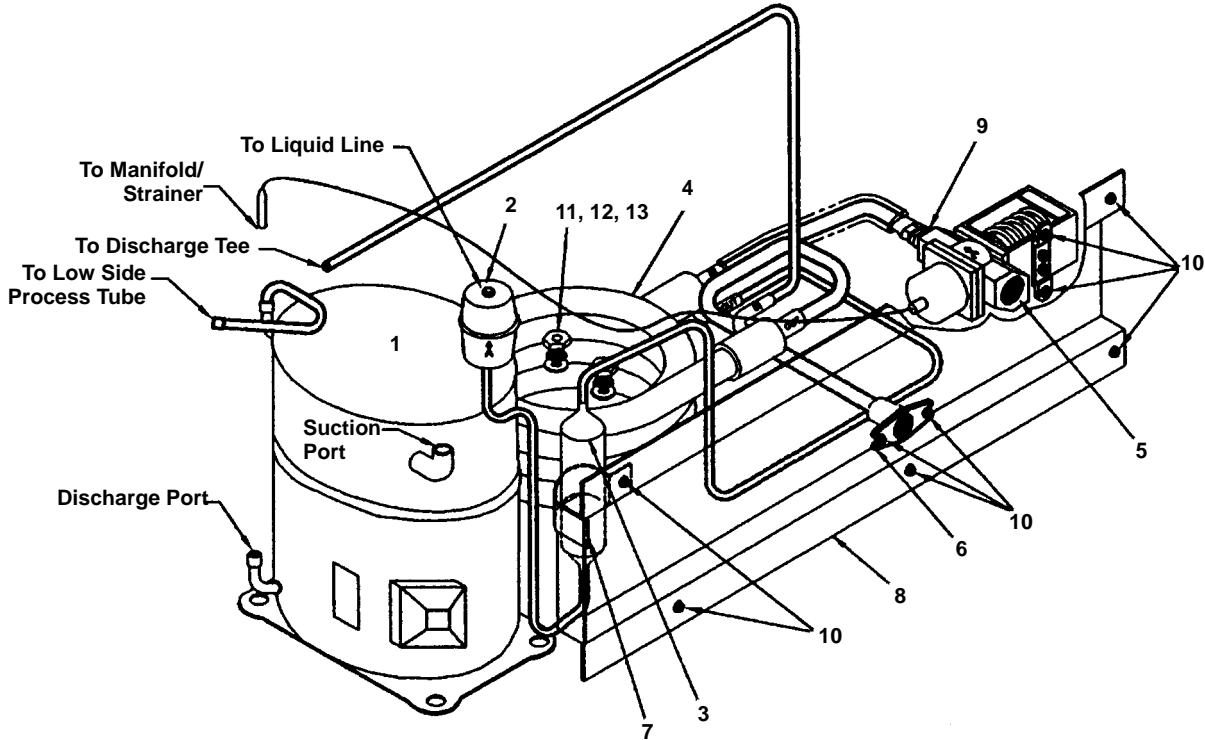
	<b>DESCRIPTION</b>	<b>PART NO.</b>
1	Compressor (Refer to COMMON PARTS) . . . . .	Page 4
2	Air Condenser . . . . .	88-5069-3
3	Fan Motor 208-230V/60 Hz or 230V/50 Hz . . . . .	76-2672-3
4	Fan Blade . . . . .	24-1612-3
5	Fan Cycling Control . . . . .	† 20-0127-3
6	Air Filter (Not shown) . . . . .	40-4005-3
7	Drier . . . . .	† 89-3025-9
8	Fan Motor Capacitor (Not shown) . . . . .	No Longer Available

## Miscellaneous – Brackets, Screws, etc.

9	Air Filter Bracket (Not shown) . . . . .	† 76-2686-3
10	Fan Shroud . . . . .	600273-1
11	Fan Motor Mounting Bracket . . . . .	34-0616-3
12	Screw . . . . .	† 50-3358-9
13	Lockwasher . . . . .	† 55-4510-9
14	Flat Washer . . . . .	† 55-7305-9
15	Rubber Well Nut . . . . .	† 54-2955-9
16	Screw, #10-24 x .50 . . . . .	† 52-0206-9
17	Screw, #10-24 x .625 . . . . .	† 52-0205-9
18	Nut . . . . .	† 54-2952-9

† Refer to Cross Reference Guide

# J1000 WATER-COOLED



1445

## DESCRIPTION

1	Compressor (Refer to COMMON PARTS) .....	
2	Drier .....	
3	Receiver .....	
4	Water-cooled Condenser .....	
5	Water Regulating Valve .....	
6	Water Drain Female Wing Adapter .....	

## PART NO.

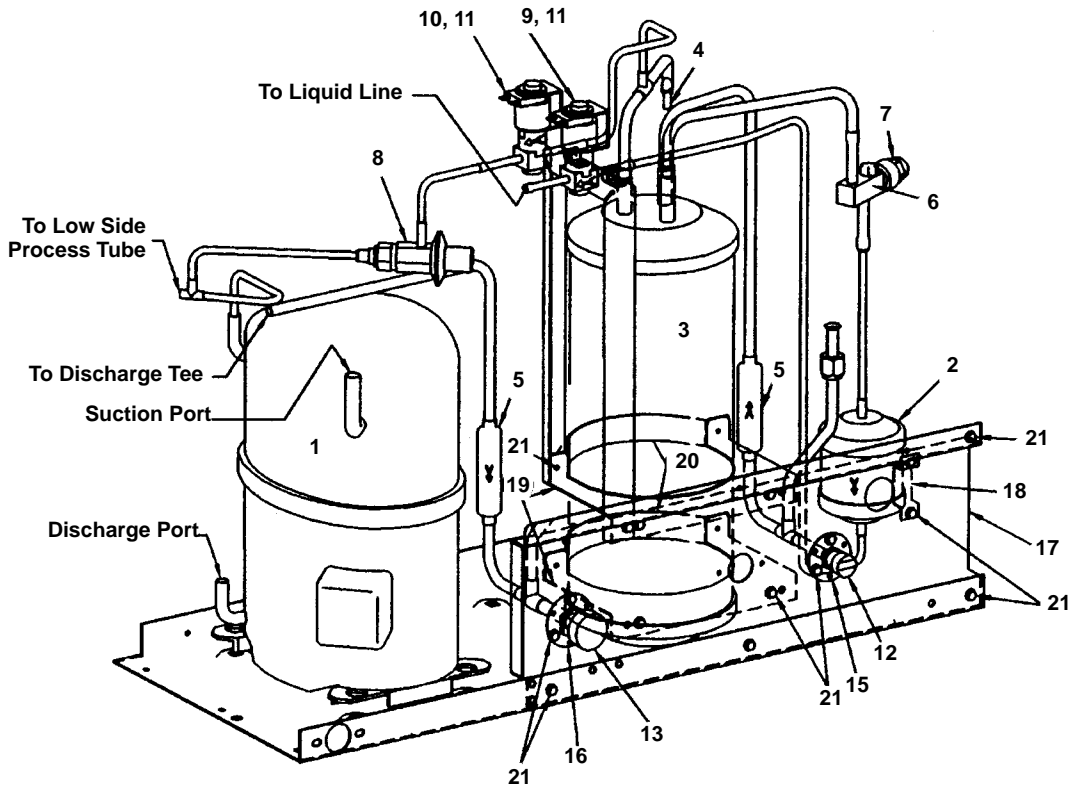
	Page 4
†	89-3025-9
	89-0012-3
†	000001508
†	83-7206-9
	87-0612-3

## Miscellaneous – Brackets, Screws, etc.

7	Receiver Strap .....	600054-1
8	Back Panel .....	600057-1
9	Water Coupling .....	83-3203-3
10	Screw, #10-24 x .50 .....	† 52-0206-9
11	Flat Washer .....	† 55-7309-9
12	Lockwasher .....	† 55-4514-9
13	Nut .....	† 54-3002-9

† Refer to Cross Reference Guide

# J1000 REMOTE



1446

## DESCRIPTION

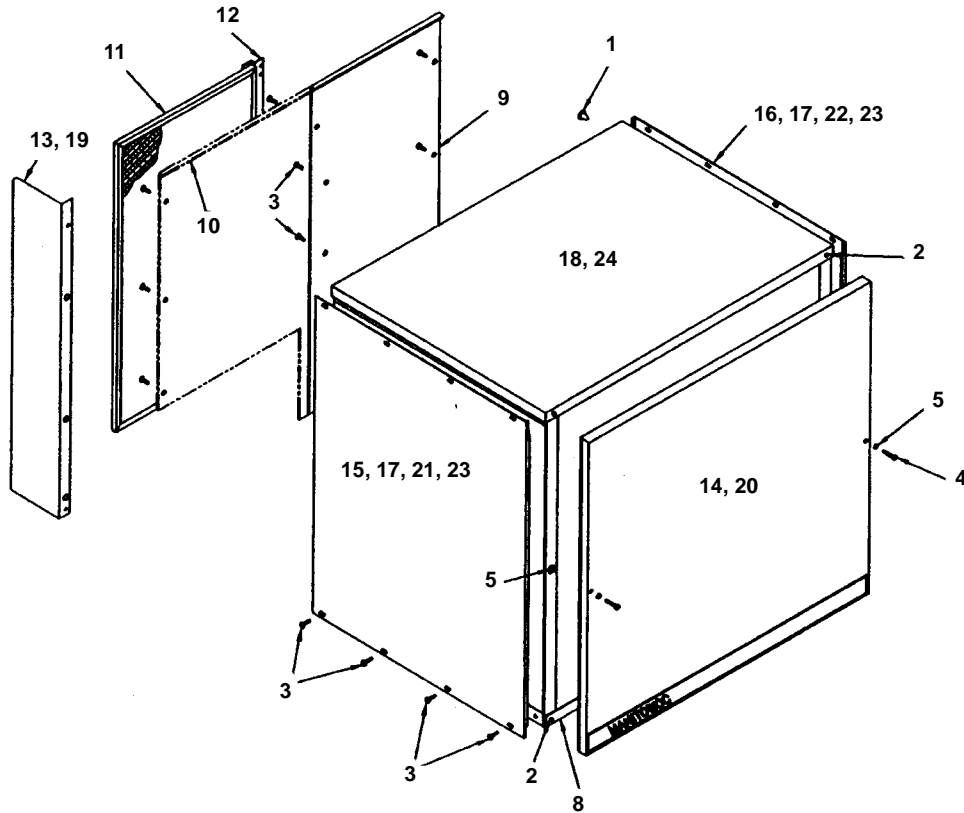
	<b>PART NO.</b>
1 Compressor (Refer to COMMON PARTS) . . . . .	Page 4
2 Drier . . . . .	89-3024-9
3 Receiver . . . . .	† 76-2957-3
4 Safety Soft Plug . . . . .	† 628451-9
5 Magni-Check Valve . . . . .	† 83-7314-9
6 Receiver Service Valve . . . . .	† 83-7316-9
7 Cap (For Receiver Service Valve) . . . . .	56-5075-3
8 HPR Pressure Regulating Valve . . . . .	† 83-6779-3
9 Liquid Line Solenoid Valve (LLS), Includes 208/230V 50/60 Hz Coil (Danfoss) . . . . .	† 76-3008-1
10 HPR Solenoid Valve, Includes 208/230V 50/60 Hz Coil (Danfoss) . . . . .	† 76-3006-1
11 Alco 230V Coil Only, for LLS and HPR Valves . . . . .	† 24-0448-3
12 Coupling – Male, 5/8-18 . . . . .	† 83-6034-3
13 Coupling – Male, 1-1/6-12 . . . . .	† 83-6035-3
14 Coupling Kit – Female (On Line Set, Not shown) . . . . .	Sales K0129

## Miscellaneous – Brackets, Screws, etc.

15 Coupling Mounting Flange (For 5/8-18) . . . . .	83-6005-3
16 Coupling Mounting Flange (For 1-1/16-12) . . . . .	83-6006-3
17 Back Panel . . . . .	600057-1
18 Drier Support Bracket . . . . .	601737-1
19 Receiver Mounting Bracket . . . . .	600056-1
20 Receiver Mounting Strap . . . . .	630721-4
21 Screw, #10-24 x .50 . . . . .	† 52-0206-9

† Refer to Cross Reference Guide

# J1000 PANELS



1447

## COMMON PARTS

	<b>PART NO.</b>
1 Canoe Clip Fastener . . . . .	† 56-4820-9
2 Screw, #10-24 x .50 Flat . . . . .	† 52-0209-9
3 Screw, #10-24 x .50 Hex . . . . .	† 52-0206-9
4 Screw, #8-32 x 1.50 . . . . .	† 50-2668-9
5 Cage Nut 8-12 . . . . .	† 54-2910-9
6 "O" Ring . . . . .	† 37-1819-9
7 Extruded Tape (Not shown) . . . . .	† 92-0250-9
8 Front Support . . . . .	† 658041-9
9 Back Panel, Air-cooled . . . . .	600275-1
10 Back Panel, Water or Remote . . . . .	600274-1
11 Air Filter . . . . .	40-4005-3
12 Air Filter Bracket . . . . .	† 76-2686-3

## FAWN

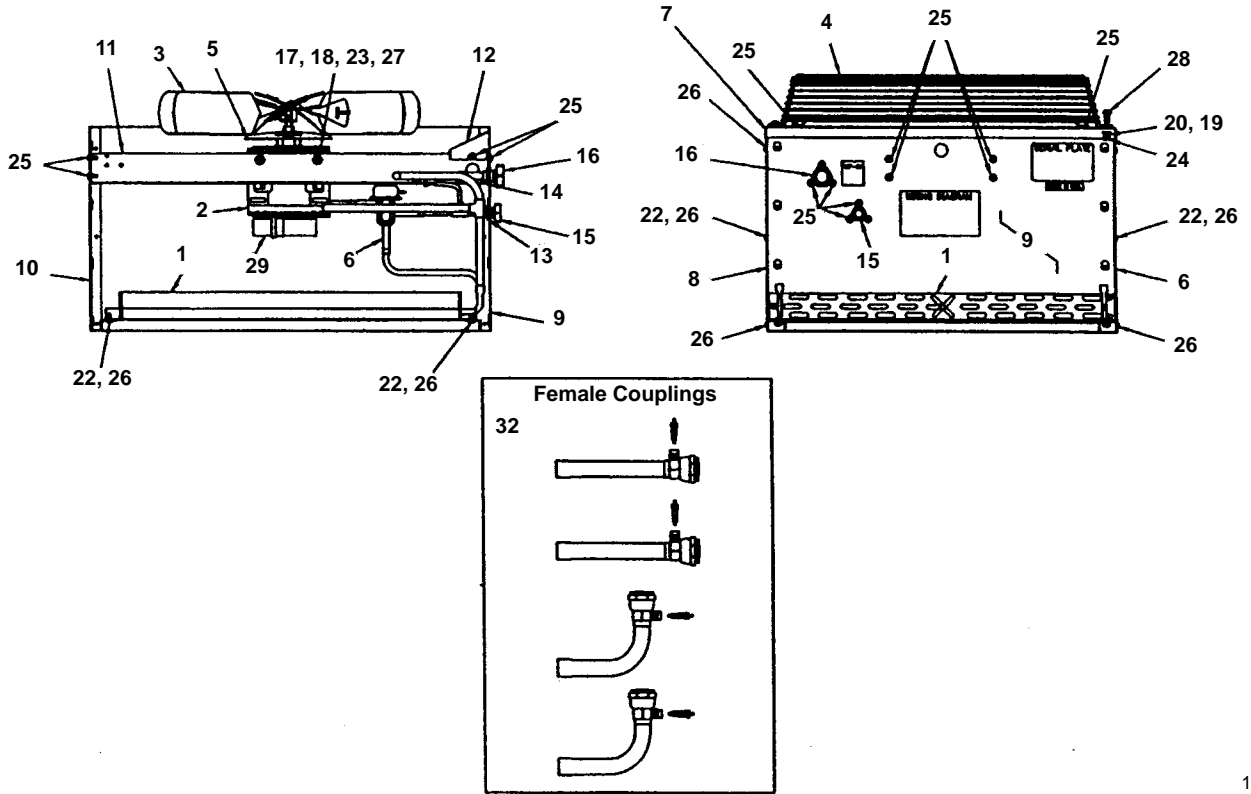
13 Air Baffle . . . . .	600299-1
14 Front Panel Assembly . . . . .	76-2504-3
15 LH Side Panel, Air . . . . .	600269-1
16 RH Side Panel, Air . . . . .	600268-1
17 Side Panel, Water or Remote . . . . .	600267-1
18 Top Cover . . . . .	600068-1

## STAINLESS STEEL

19 Air Baffle . . . . .	600299-3
20 Front Panel Assembly . . . . .	76-2505-3
21 LH Side Panel, Air . . . . .	600269-3
22 RH Side Panel, Air . . . . .	600268-3
23 Side Panel, Water or Remote . . . . .	600267-3
24 Top Cover . . . . .	600068-3

† Refer to Cross Reference Guide

# JC1095 REMOTE CONDENSER



1448

## DESCRIPTION

	<b>PART NO.</b>
1 Air Condenser	88-5089-3
2 Fan Motor, 208-230V/50-60 Hz	† 76-2941-3
3 Fan Blade	24-1611-3
4 Fan Guard	34-0064-3
5 Rain Slinger	24-1505-3
6 Head Pressure Control	83-6809-3
7 Top Cover	† 601775-1
8 Panel, Side	† 601774-1
9 Panel, Rear	† 601773-1
10 Panel, Front	† 601772-1
11 Base Bracket	† 601768-1
12 Electrical Cover	† 601776-1
13 Mounting Flange .25 x .38	83-6005-3
14 Mounting Flange .50 x .88	83-6006-3
15 Coupling, Male .63-18	† 83-6034-3
16 Coupling, Male 1.06-12	† 83-6035-3
17 Lockwasher .31 Split	† 55-7313-9
18 Washer - Flat .31 ID	† 55-7309-9
19 Washer - Flat .25 Stainless	† 55-7304-9
20 Lockwasher .25 Split Stainless	† 55-4511-9
21 Lockwasher #10 Int. Phos.	† 55-4464-9
22 Lockwasher #8 Int. Phos.	† 55-4459-9
23 Nut .31-18 Steel Hex.	54-2975-9
24 Nut .25-20 Steel Hex.	† 54-2952-9
25 Screw, #10-24 x .50	† 52-0206-9
26 Screw, #8 x .5	† 51-2153-9
27 Screw, .31-18 x .62	† 50-3565-9
28 Screw, .25-2 x .62	† 50-3345-9
29 Fan Capacitor (Emerson)	85-0458-3
29 Fan Capacitor (Magnatec)	No Longer Available
30 Terminal Block	25-1103-3
31 Terminal Block Mounting Bracket	600868-1
32 Female Coupling Kit (Not shown)	Sales K0129
33 Mounting Legs (Not shown)	† 601769-1

† Refer to Cross Reference Guide

**INTENTIONALLY LEFT BLANK**