



## **Ice Machine Parts List for Series J1300 Models**

**JR1300A**

**JD1392N**

**JR1301W**

**JY1304A**

**JR1390N**

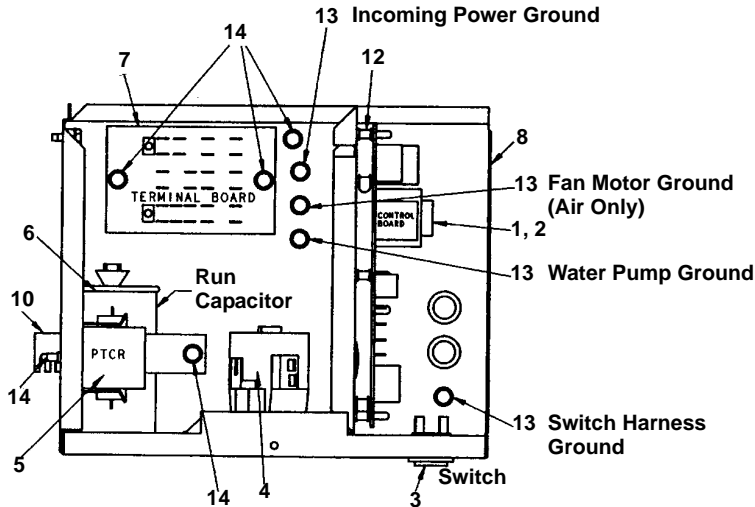
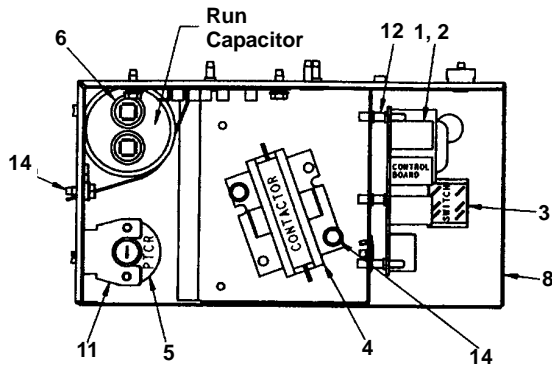
**JY1305W**

**JD1302A**

**JY1394N**

**JD1303W**

# J1300 CONTROL BOX



1451

## DESCRIPTION

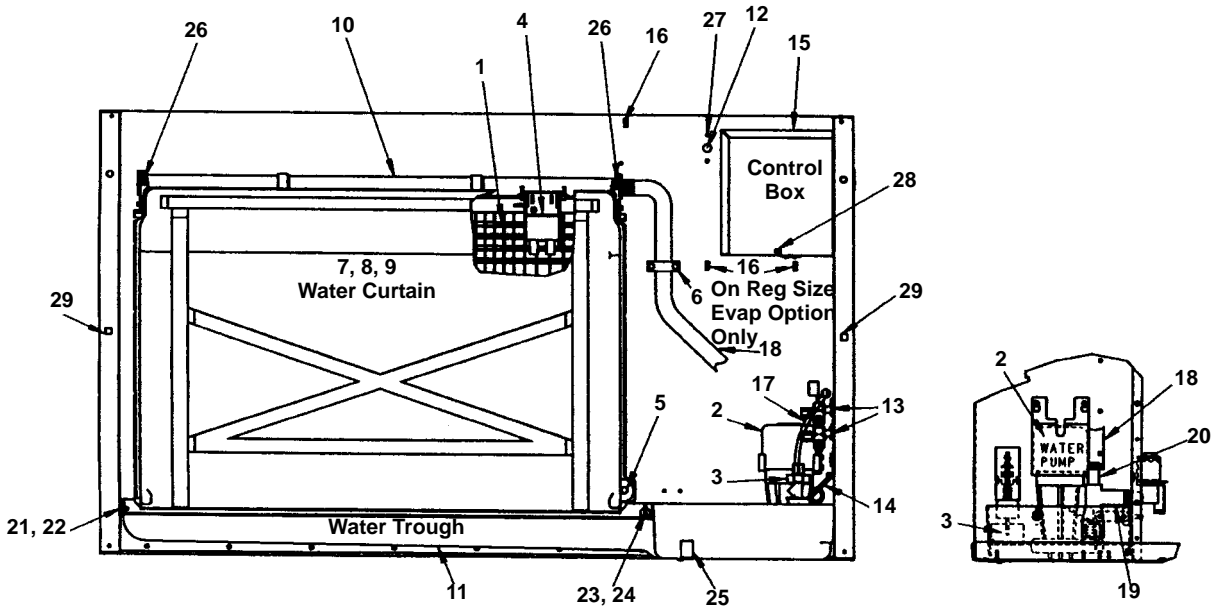
	<b>PART NO.</b>
1 <b>Control Board</b> (For use with all voltages) .....	† 76-2782-3
2 <b>Fuses-Mounted on Control Board</b>	
a. 7 Amp .....	25-1100-3
b. .125 Amp 60 Hz Mini Fuse .....	† 25-1116-9
c. .100 Amp 50 Hz Mini Fuse .....	25-1105-3
3 <b>Toggle Switch</b> Only .....	23-0134-3
a. Toggle Switch with Wiring Harness Attached .....	† 20-3105-9
4 <b>Contactors</b>	
a. 50-60 Hz/1 Ph. ....	24-1033-3
b. 50-60 Hz/3 Ph. ....	† 20-0116-3
5 <b>P.T.C.R. Compressor Starter</b> .....	85-0491-3
6 <b>Compressor Run Capacitor</b>	
a. 60 Hz .....	† 000000028
b. 50 Hz .....	† 20-1013-3
7 <b>Terminal Board with Wire Harness Attached</b>	
a. 60 Hz/1 Ph .....	20-3190-3
b. 50 Hz/1 Ph .....	20-3203-3
c. 50-60 Hz/3 Ph. ....	20-3197-3

## Miscellaneous – Brackets, Screws, etc.

8 Control Box .....	602000-1
9 Control Box Cover (Not shown) .....	601446-1
10 Compressor Run Capacitor Mounting Bracket .....	602160-1
11 P.T.C.R. Compressor Starter Mounting Bracket .....	85-0495-3
12 Control Board Mounting Supports .....	43-0225-3
13 Screw, #10-24 x .50 Ground .....	† 52-0216-9
14 Screw, #10-24 x .50 Hex Head .....	† 52-0206-9

† Refer to Cross Reference Guide

# J1300 EVAPORATOR COMPARTMENT



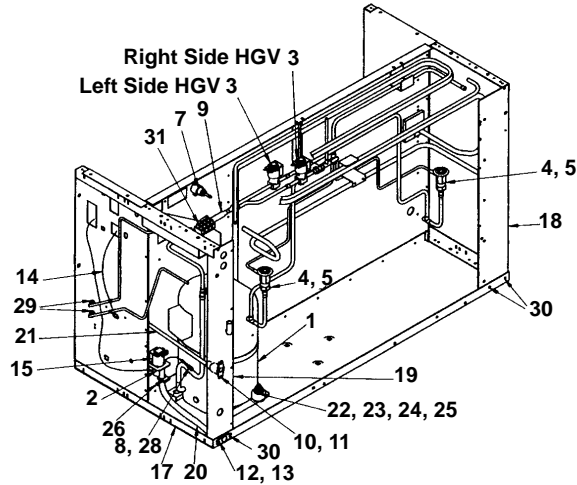
1452

## DESCRIPTION

	PART NO.
<b>1 Evaporator Assembly</b>	
a. Regular Cube	† 76-2693-9
b. Dice Cube	† 76-2694-9
c. Half Dice Cube	† 76-2695-9
d. Gasket/Top Molding Assembly	76-2801-3
<b>2 Water Pump 208-230V/60 Hz or 230V/50 Hz</b>	† 14-8027-9
<b>3 Float Valve (Complete Assembly)</b>	83-6913-9
a. Float Valve Screen	† 83-6906-9
b. Float Valve Plunger	† 83-6908-9
c. Float Valve Compression Nut	† 56-5072-9
<b>4 Ice Thickness Control</b>	† 76-2781-3
<b>5 Magnetic Bin Switch (Mounted to Evaporator)</b>	† 23-0148-3
<b>6 Water Flow Clamp (Use on Regular Cube Evap. Only)</b>	76-2054-3
<b>7 Water Curtain</b>	40-0475-3
<b>8 Water Curtain Hanger</b>	† 76-2856-3
<b>9 Water Curtain Magnet And Clip</b>	† 76-2802-3
<b>10 Water Distribution Tube</b>	43-0322-3
<b>11 Water Trough</b>	601398-1
<b>12 High Pressure Cut-out (Refrigeration System)</b>	† 23-5536-9
<b>13 Refrigeration Service Valve Assembly</b>	† 83-7310-9
<b>Miscellaneous – Brackets, Screws, etc.</b>	
<b>14 Float Valve Mounting Bracket</b>	† 76-2140-3
<b>15 Control Box Cover</b>	601446-1
<b>16 Nylon Spring Clip</b>	† 56-5090-9
<b>17 Tubing, Vinyl .25 OD (Water Inlet)</b>	44-2029-1
<b>18 Tubing (Water Pump Out)</b>	44-2085-3
<b>19 Reducing Tee (Rubber)</b>	43-0057-3
<b>20 Union Connector (White Nylon)</b>	83-9005-3
<b>21 Water Trough Support Pin (Order Nylon Hex Nut Separately)</b>	† 43-0201-9
<b>22 Water Trough Support Pin Nylon Hex Nut</b>	† 54-2945-9
<b>23 Clip-in Receptacle (Female Side)</b>	56-5085-3
<b>24 Clip-in Receptacle Wing Nut (Male Side)</b>	56-5086-3
<b>25 Water Trough Support Clip</b>	† 76-2704-3
<b>26 Screw, #8-32 x .63 Nylon Water Distribution Tube Mounting</b>	† 50-0001-3
<b>27 Screw Used to Mount High Pressure Cut-out</b>	† 51-2166-9
<b>28 Screw, #10-24 x .50</b>	† 52-0206-9
<b>29 Cage Nut</b>	52-2910-9
<b>30 Screw, #10-24 x .750 Used to Mount Evaporator (Not shown)</b>	† 52-0218-9

† Refer to Cross Reference Guide

# J1300 COMMON PARTS



1453

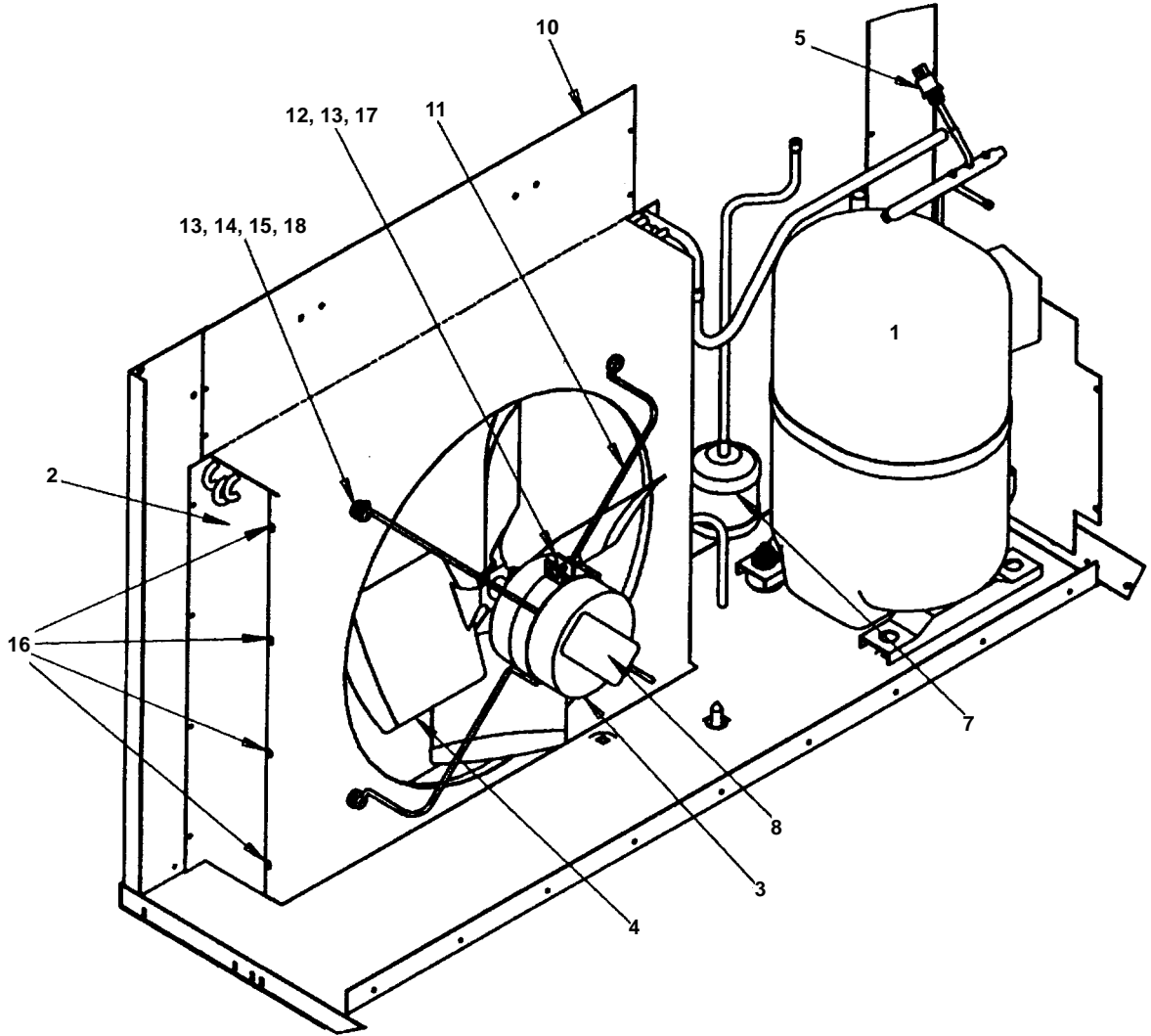
## DESCRIPTION

## PART NO.

<b>1 Compressor</b>	
a. 208-230V/60 Hz/1 Ph . . . . .	† 76-2687-3
b. 230V/50 Hz/1 Ph . . . . .	† 76-2700-3
c. 208-230V/60 Hz/3 Ph . . . . .	† 76-2688-3
d. 415V/50 Hz/3 Ph . . . . .	† 76-2701-3
<b>2 Water Dump Valve</b>	
a. Dump Valve Rebuild Kit . . . . .	No Longer Available
b. Dump Valve, 208/230V 50/60 Hz . . . . .	000001768
<b>3 Hot Gas Valve</b>	
a. Hot Gas Valve Including 208/230V 50/60 Hz Coil (Danfoss) . . . . .	† 76-3010-1
b. Hot Gas Valve 208/230V 50/60 Hz Coil Only Danfoss . . . . .	000002049
c. Hot Gas Valve 208/230V 50/60 Hz Coil Only Alco . . . . .	† 24-0448-3
<b>4 Expansion Valve</b> . . . . .	† 76-0022-3
<b>5 Expansion Valve Body Insulation Boot (Not shown)</b>	
a. Alco . . . . .	40-0721-3
b. Danfoss . . . . .	40-0036-3
<b>6 Expansion Valve Bulb Insulation Boot (Not shown)</b> . . . . .	40-0720-3
<b>7 High Pressure Cut-out Control</b> . . . . .	† 23-5536-9
<b>8 Thermistor</b> . . . . .	23-5116-3
<b>9 Manifold Strainer</b> . . . . .	83-1015-3
<b>10 Water Inlet Female Wing Adapter</b> . . . . .	† 87-0609-3
<b>11 Water Inlet Union (Compression Nut)</b> . . . . .	13-6096-1
<b>12 Water Drain Female Wing Adapter</b> . . . . .	17-0602-1
<b>13 Water Drain Copper Tube Insert</b> . . . . .	11048-1
<b>14 Water Pump Electrical Wire Lead</b> . . . . .	† 20-7810-3
<b>Miscellaneous – Brackets, Screws, etc.</b>	
<b>15 Dump Valve Mounting Bracket</b> . . . . .	601597-1
<b>16 Dump Valve Shield (Used on Air-cooled Models Only – Not shown)</b> . . . . .	71-1190-3
<b>17 Base Angle</b> . . . . .	† 601287-1
<b>18 Left Corner Post Weldment</b> . . . . .	602241-1
<b>19 Right Corner Post Weldment</b> . . . . .	600266-2
<b>20 Water Drain Vinyl Tubing, .625 ID</b> . . . . .	† 44-2038-3
<b>21 Water Inlet Vinyl Tubing, .25 OD</b> . . . . .	44-2029-1
<b>22 Compressor Mounting Rubber Grommet</b> . . . . .	† 85-0485-9
<b>23 Compressor Mounting Sleeve (Inserts into Grommet)</b> . . . . .	† 85-0484-9
<b>24 Compressor Mounting Nut</b> . . . . .	† 54-3002-9
<b>25 Compressor Mounting Washer</b> . . . . .	55-7334-3
<b>26 Clamp, Water Drain</b> . . . . .	† 56-5070-9
<b>27 Clamp, Expansion Valve Bulb (Not shown)</b> . . . . .	† 56-5052-9
<b>28 Clamp, Thermistor</b> . . . . .	56-5084-3
<b>29 Locknut Used to Fasten Refrigerant Service Valves</b> . . . . .	† 54-7503-9
<b>30 Screw, # 10-24 x .50</b> . . . . .	† 52-0206-9
<b>31 Terminal Block – 3 Pole</b> . . . . .	20-0614-3
<b>32 Terminal Block – 4 Pole</b> . . . . .	25-1126-3

† Refer to Cross Reference Guide

# J1300 AIR-COOLED



1454

## DESCRIPTION

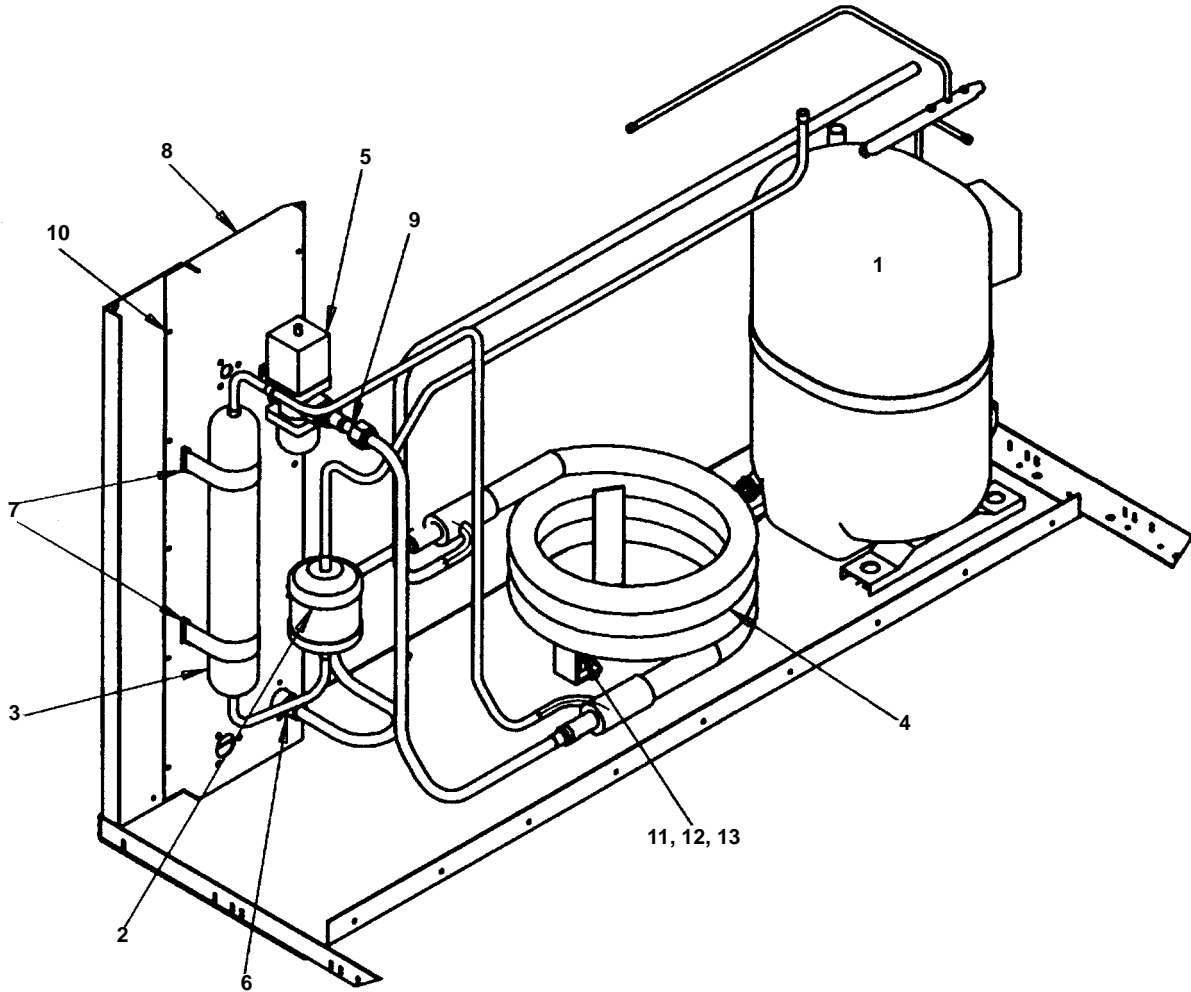
	<b>DESCRIPTION</b>	<b>PART NO.</b>
1	Compressor (Refer to COMMON PARTS)	Page 4
2	Air Condenser	88-5114-3
3	Fan Motor 208-230V/60 Hz or 230V/50 Hz	† 76-2673-3
4	Fan Blade	24-1611-3
5	Fan Cycling Control	† 20-0127-3
6	Air Filter (Not shown)	40-4013-3
7	Drier	† 89-3024-9
8	Fan Motor Capacitor	85-0458-3

## Miscellaneous – Brackets, Screws, etc.

9	Air Filter Bracket (Not shown)	† 76-2686-3
10	Fan Shroud	602244-1
11	Fan Motor Mounting Bracket	30-0682-3
12	Screw	† 50-3358-9
13	Lockwasher	† 55-4510-9
14	Flat Washer	† 55-7305-9
15	Rubber Well Nut	† 54-2955-9
16	Screw, #10-24 x .50	† 52-0206-9
17	Nut	† 54-2952-9
18	Screw, 1/4-20 x 1-1/4	† 50-3358-9
19	Compressor Sound Blanket (Bristol)	No Longer Available
19	Compressor Sound Blanket (Tecumseh)	40-0730-3

† Refer to Cross Reference Guide

# J1300 WATER-COOLED



1455

## DESCRIPTION

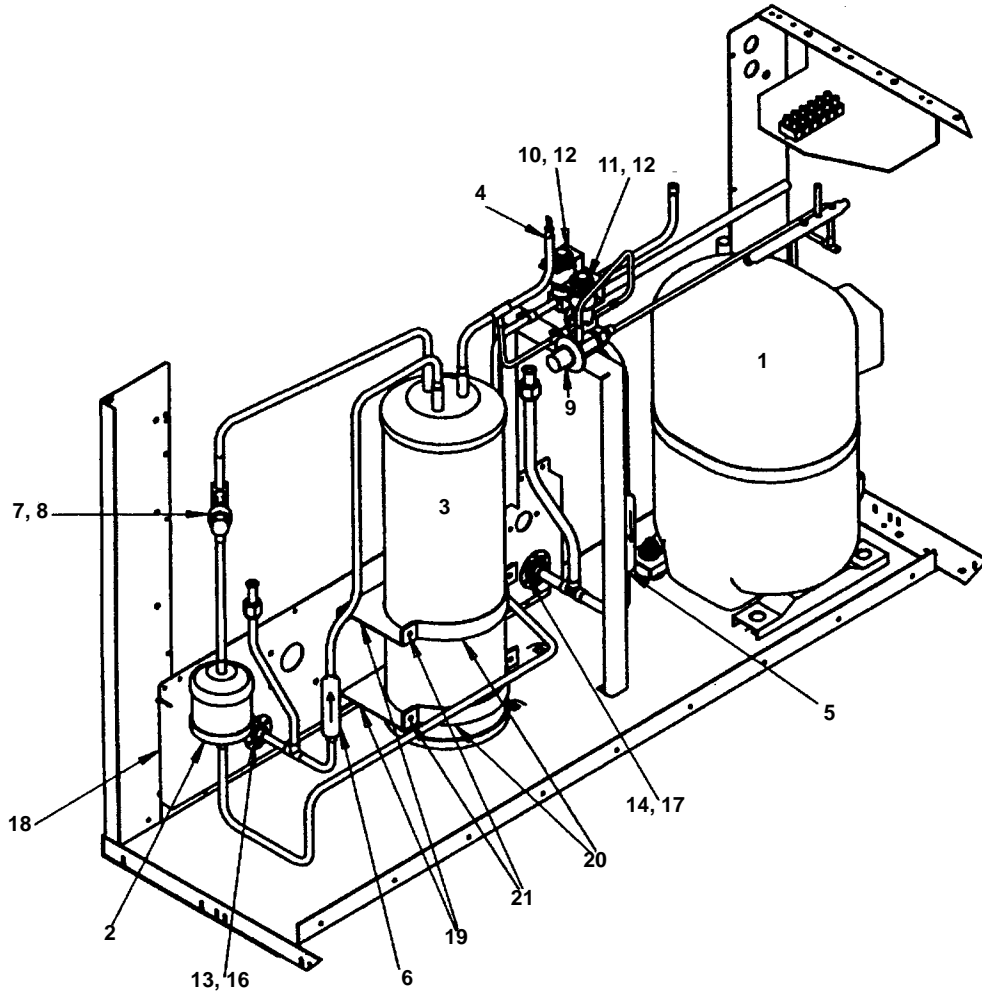
	<b>PART NO.</b>
1 Compressor (Refer to COMMON PARTS) .....	Page 4
2 Drier .....	† 89-3024-9
3 Receiver .....	89-0035-3
4 Water-cooled Condenser .....	† 000001508
5 Water Regulating Valve .....	83-7212-3
5 3-Way Water Regulating Valve (Not shown) .....	† 83-7205-9
6 Water Drain Female Wing Adapter .....	87-0612-3

## Miscellaneous – Brackets, Screws, etc.

7 Receiver Strap .....	600054-1
8 Back Panel .....	601539-1
9 Water Coupling .....	83-3419-3
10 Screw, #10-24 x .50 .....	† 52-0206-9
11 Flat Washer .....	† 55-7309-9
12 Lockwasher .....	† 55-4514-9
13 Nut .....	† 54-3002-9

† Refer to Cross Reference Guide

# J1300 REMOTE



1456

## DESCRIPTION

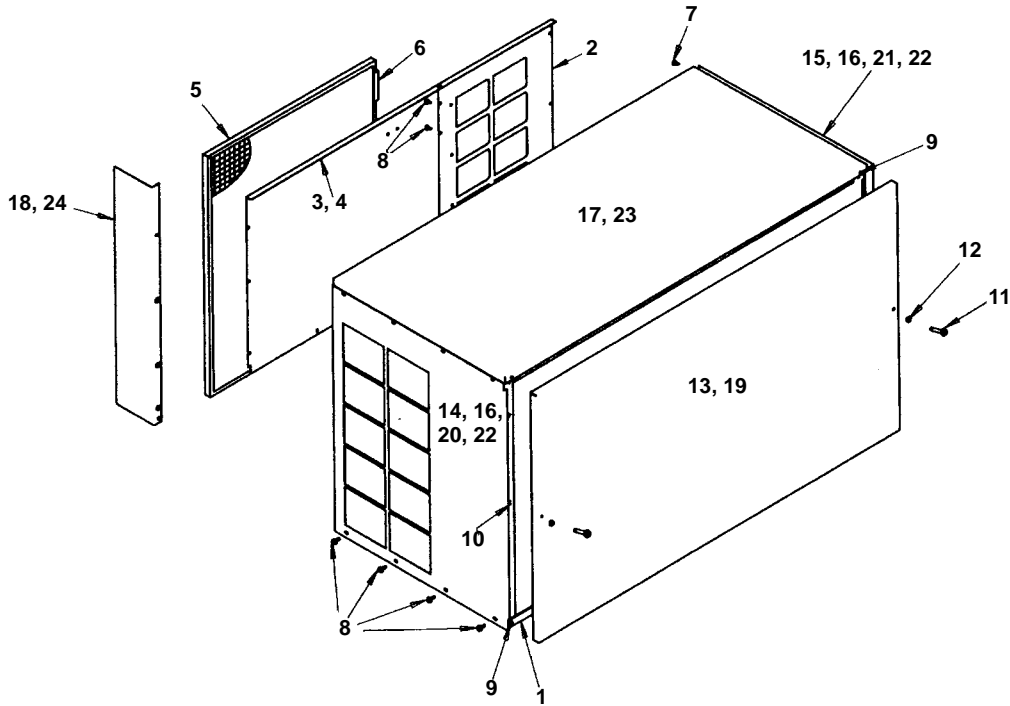
	<b>PART NO.</b>
1 Compressor (Refer to COMMON PARTS) .....	Page 4
2 Drier .....	† 89-3024-9
3 Receiver .....	† 76-2958-3
4 Safety Soft Plug .....	† 628451-9
5 Magni-Check Valve 1/2" .....	† 83-7315-9
6 Magni-Check Valve 3/8" .....	† 83-7314-9
7 Liquid Line Service Valve .....	† 83-7316-9
8 Cap (For Liquid Line Service Valve) .....	56-5075-3
9 HPR Pressure Regulating Valve .....	† 83-6779-3
10 Liquid Line Solenoid Valve (LLS), Includes 230V Coil .....	76-3010-1
11 HPR Solenoid Valve, Includes 208/230V 50/60 Hz Coil (Danfoss) .....	† 76-3006-1
12 Alco 230V Coil Only, for LLS and HPR Valves .....	† 24-0448-3
13 Coupling – Male, 5/8-18 .....	† 83-6034-3
14 Coupling – Male, 1-1/6-12 .....	† 83-6035-3
15 Coupling Kit – Female (On Line Set, Not shown) .....	Sales K0129

## Miscellaneous – Brackets, Screws, etc.

16 Coupling Mounting Flange (For 5/8-18) .....	83-6005-3
17 Coupling Mounting Flange (For 1-1/16-12) .....	83-6006-3
18 Back Panel .....	601539-1
19 Receiver Mounting Bracket .....	600056-1
20 Receiver Mounting Strap .....	630721-4
21 Screw, #10-24 x .50 .....	† 52-0206-9

† Refer to Cross Reference Guide

# J1300 PANELS



1457

## COMMON

	<b>PART NO.</b>
1 Front Support Angle .....	00000170
2 Back Panel, Air-cooled .....	601472-1
3 Back Panel, Water-cooled .....	601540-1
4 Back Panel, Remote .....	† 602242-1
5 Air Filter .....	40-4013-3
6 Air Filter Bracket Kit .....	† 76-2686-3
7 Accordion Panel Clip .....	† 56-4820-9
8 Screw, #10-24 x 1/2" .....	† 52-0206-9
9 Screw, #10-24 x 1/2" .....	† 52-0209-9
10 Cage Nut .....	† 54-2910-9
11 Screw, #8-32 x 1.50 .....	† 50-2668-9
12 "O" Ring .....	† 37-1819-9

## FAWN

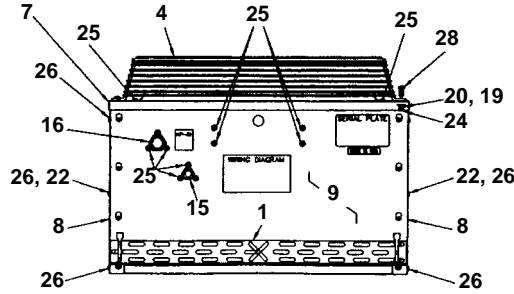
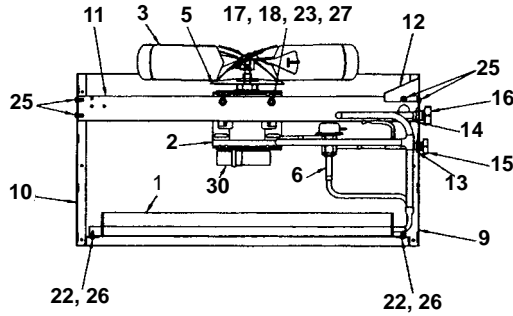
13 Front Panel .....	76-2759-3
14 LH Side Panel, Air-cooled .....	600269-1
15 RH Side Panel, Air-cooled .....	600268-1
16 Side Panel (RH or LH) Water or Remote .....	600267-1
17 Top Cover .....	601476-1
18 Air Baffle .....	600299-1

## STAINLESS STEEL

19 Front Panel .....	76-2760-3
20 LH Side Panel, Air-cooled .....	600269-3
21 RH Side Panel, Air-cooled .....	600268-3
22 Side Panel (RH or LH) Water or Remote .....	600267-3
23 Top Cover .....	601476-2
24 Air Baffle .....	600299-3

† Refer to Cross Reference Guide

# JC1395 REMOTE CONDENSER



1458

## COMMON PARTS

	<b>PART NO.</b>
1 Air Condenser . . . . .	88-5090-3
2 Fan Motor, 208-230V/50-60 Hz . . . . .	† 76-2941-3
3 Fan Blade . . . . .	24-1611-3
4 Fan Guard . . . . .	34-0064-3
5 Rain Slinger . . . . .	24-1505-3
6 Head Pressure Control . . . . .	83-6809-3
7 Top Cover . . . . .	601789-1
8 Panel, Side . . . . .	† 601790-1
9 Panel, Rear . . . . .	601791-1
10 Panel, Front . . . . .	† 601792-1
11 Base Bracket . . . . .	† 601768-1
12 Electrical Cover . . . . .	† 601776-1
13 Mounting Flange .25 x .38 . . . . .	83-6005-3
14 Mounting Flange .50 x .88 . . . . .	83-6006-3
15 Coupling, Male .63-18. . . . .	† 83-6034-3
16 Coupling, Male 1.06-12. . . . .	† 83-6035-3
17 Lockwasher .31 Split. . . . .	† 55-7313-9
18 Washer - Flat .31 ID. . . . .	† 55-7309-9
19 Washer - Flat .25 Stainless . . . . .	† 55-7304-9
20 Lockwasher .25 Split Stainless . . . . .	† 55-4511-9
21 Mounting Legs (Not shown) . . . . .	† 601769-1
22 Lockwasher #8 Int. Phos. . . . .	† 55-4459-9
23 Nut .31-18 Steel Hex. . . . .	54-2975-9
24 Nut .25-20 Steel Hex. . . . .	† 54-2952-9
25 Screw, #10-24 x .50 . . . . .	† 52-0205-9
26 Screw, #8 x .5 . . . . .	† 51-2153-9
27 Screw, .31-18 x .62 . . . . .	† 50-3565-9
28 Screw, .25-2 x .62 . . . . .	† 50-3345-9
29 Screw, #8-32 x .50 . . . . .	† 50-2624-9
30 Fan Capacitor (Emerson) . . . . .	85-0458-3
30 Fan Capacitor (Magnatec) . . . . .	No Longer Available
31 Terminal Block (Not shown) . . . . .	20-0614-3
32 Terminal Block Mounting Bracket (Not shown) . . . . .	600868-1
33 Female Coupling Kit (Not shown) . . . . .	Sales K0129

† Refer to Cross Reference Guide

**INTENTIONALLY LEFT BLANK**