



## **Ice Machine Parts List for Series J1800 Models**

**JR1800A**

**JD1892N**

**JR1801W**

**JY1804A**

**JR1890N**

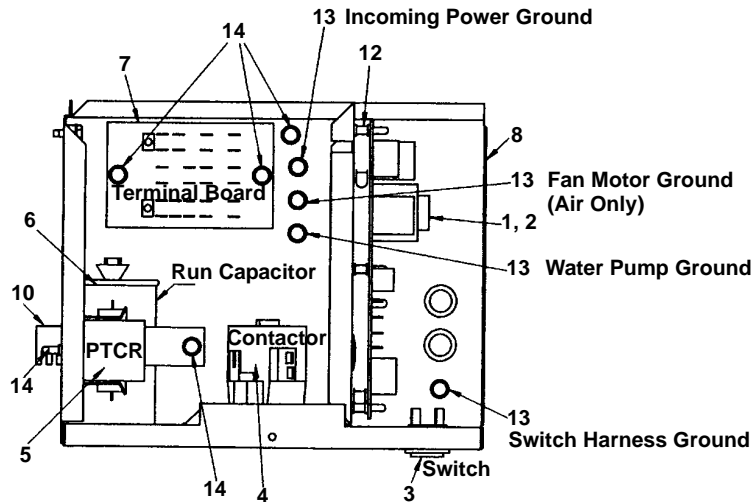
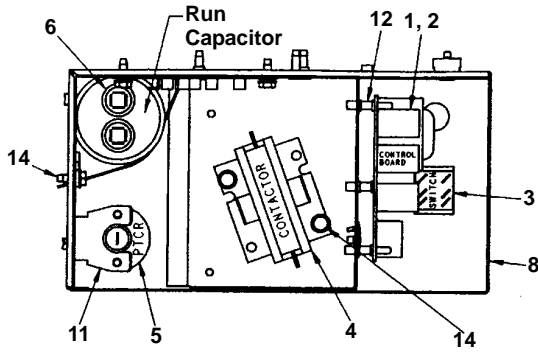
**JY1805W**

**JD1802A**

**JY1894N**

**JD1803W**

# J1800 CONTROL BOX



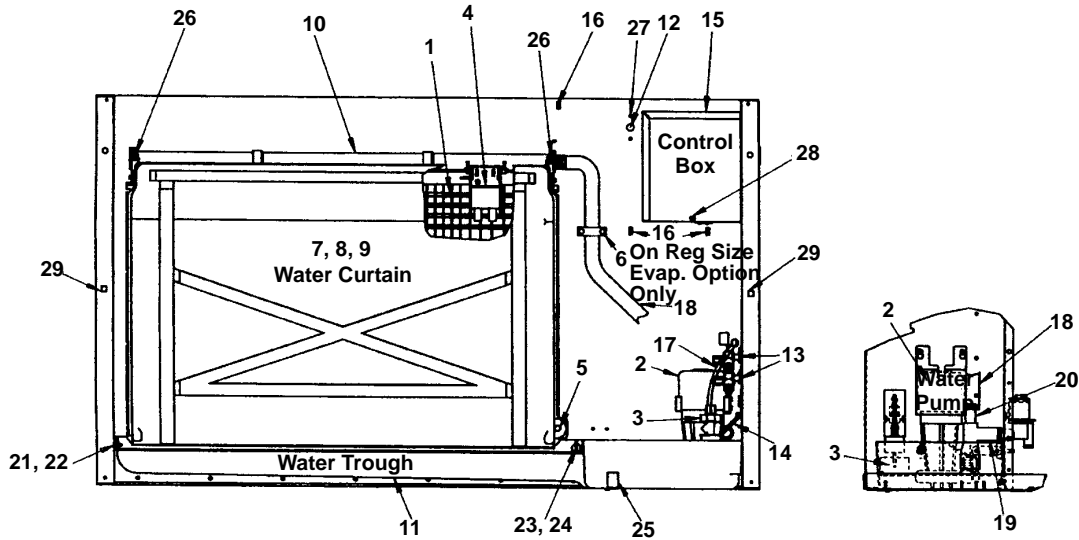
1461

## DESCRIPTION

	<b>PART NO.</b>
1 <b>Control Board</b> (For use with all voltages) .....	† 76-2782-3
2 <b>Fuses – Mounted on Control Board</b>	
a. 7 Amp .....	25-1100-3
b. .125 Amp 60 Hz Mini Fuse .....	† 25-1116-9
c. .100 Amp 50 Hz Mini Fuse .....	25-1105-3
3 <b>Toggle Switch Only</b> .....	23-0134-3
a. Toggle Switch With Wiring Harness Attached .....	† 20-3105-9
4 <b>Contactor</b>	
a. 50-60 Hz/1 Ph. ....	24-1033-3
b. 50-60 Hz/3 Ph. ....	† 20-0116-3
5 <b>P.T.C.R. Compressor Starter</b> .....	85-0491-3
6 <b>Compressor Run Capacitor</b>	
a. 60 Hz For Bristol .....	† 000000028
b. 50 Hz .....	† 20-1013-3
c. 60 Hz For Tecumseh .....	000001395
7 <b>Terminal Board With Wire Harness Attached</b>	
a. 60 Hz/1 Ph .....	20-3190-3
b. 50 Hz/1 Ph .....	20-3203-3
c. 50-60 Hz/3 Ph. ....	20-3197-3
<b>Miscellaneous – Brackets, Screws, etc.</b>	
8 Control Box .....	602000-1
9 Control Box Cover (Not shown) .....	601446-1
10 Compressor Run Capacitor Mounting Bracket .....	602160-1
11 P.T.C.R. Compressor Starter Mounting Bracket .....	85-0495-3
12 Control Board Mounting Supports .....	43-0225-3
13 Screw, #10-24 x .50 Ground .....	† 52-0216-9
14 Screw, #10-24 x .50 Hex Head .....	† 52-0206-9

† Refer to Cross Reference Guide

# J1800 EVAPORATOR COMPARTMENT



1462

## DESCRIPTION

### 1 Evaporator Assembly

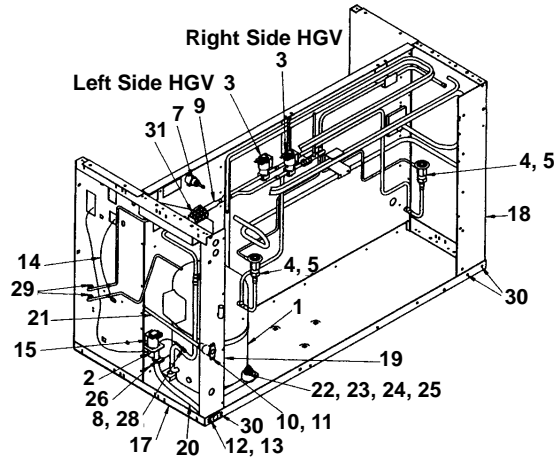
a. Regular Cube	† 76-2696-9
b. Dice Cube	† 76-2697-9
c. Half Dice Cube	† 76-2698-9
d. Gasket/Top Molding Assembly	76-2801-3
2 Water Pump 208-230V/60 Hz or 230V/50 Hz	† 14-8027-9
3 <b>Float Valve (Complete Assembly)</b>	83-6913-3
a. Float Valve Screen	† 83-6906-9
b. Float Valve Plunger	† 83-6908-9
c. Float Valve Compression Nut	† 56-5072-9
4 Ice Thickness Control	† 76-2781-3
5 Magnetic Bin Switch (Mounted to Evaporator)	† 23-0148-3
6 Water Flow Clamp (Use on Regular Cube Evap. Only)	76-2054-3
7 Water Curtain	† 40-0474-3
8 Water Curtain Hanger	† 76-2856-3
9 Water Curtain Magnet and Clip	† 76-2802-3
10 Water Distribution Tube 60 Hz	43-0322-3
10 Water Distribution Tube 50 Hz	601945-1
11 Water Trough	601398-1
12 High Pressure Cut-out (Refrigeration System)	† 23-5536-9
13 Refrigeration Service Valve Assembly	† 83-7310-9

### Miscellaneous – Brackets, Screws, etc.

14 Float Valve Mounting Bracket	† 76-2140-3
15 Control Box Cover	601446-1
16 Nylon Spring Clip	† 56-5090-9
17 Tubing, Vinyl .25 OD (Water Inlet)	44-2029-1
18 Tubing (Water Pump Out)	44-2108-3
19 Reducing Tee (Rubber)	43-0057-3
20 Union Connector (White Nylon)	83-9005-3
21 Water Trough Support Pin (Order Nylon Hex Nut Separately)	† 43-0201-9
22 Water Trough Support Pin Nylon Hex Nut	† 54-2945-9
23 Clip-in Receptacle (Female Side)	56-5085-3
24 Clip-in Receptacle Wing Nut (Male Side)	56-5086-3
25 Water Trough Support Clip	† 76-2704-3
26 Screw, #8-32 x .63 Nylon Water Distribution Tube Mounting	† 50-0001-3
27 Screw Used to Mount High Pressure Cut-out	† 51-2166-9
28 Screw, #10-24 x .50	† 52-0206-9
29 Cage Nut	† 54-2910-9
30 Screw, #10-24 x .750 Used to Mount Evaporator (Not shown)	† 52-0218-9

† Refer to Cross Reference Guide

# J1800 COMMON PARTS



1463

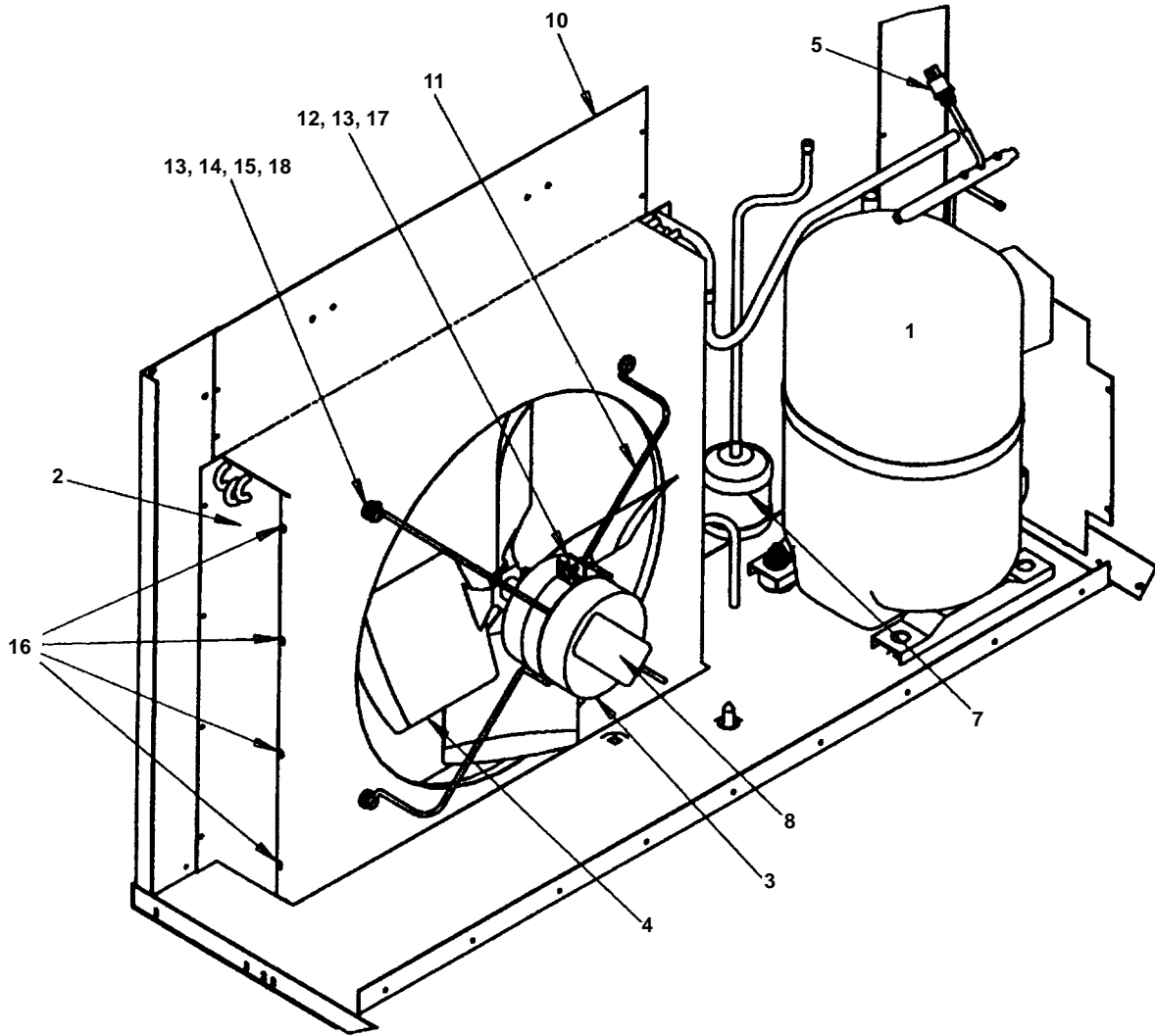
## DESCRIPTION

## PART NO.

<b>1 Compressor</b>	
a. 208/230V 60 Hz/1 Ph . . . . .	† 76-2689-3
b. 230V/50 Hz/1 Ph . . . . .	† 76-2702-3
c. 208/230V 60 Hz/3 Ph . . . . .	† 76-2690-3
d. 415V/50 Hz/3 Ph . . . . .	† 76-2703-3
<b>2 Water Dump Valve</b>	
a. Dump Valve Rebuild Kit . . . . .	No Longer Available
b. Dump Valve, 208/230V 50/60 Hz . . . . .	000001768
<b>3 Hot Gas Valve</b>	
a. Hot Gas Valve Including 208/230V 50/60 Hz Coil (Danfoss) . . . . .	† 76-3010-1
b. Hot Gas Valve 208/230V 50/60 Hz Coil Only Danfoss . . . . .	000002049
c. Hot Gas Valve 208/230V 50/60 Hz Coil Only Alco . . . . .	† 24-0448-3
4 Expansion Valve . . . . .	† 76-0022-3
5 Expansion Valve Body Insulation Boot (Not shown)	
a. Alco . . . . .	40-0721-3
b. Danfoss . . . . .	40-0036-3
6 Expansion Valve Bulb Insulation Boot (Not shown) . . . . .	40-0720-3
7 High Pressure Cut-out Control . . . . .	† 23-5536-9
8 Thermistor . . . . .	23-5116-3
9 Manifold Strainer . . . . .	82-5097-3
10 Water Inlet Female Wing Adapter . . . . .	† 87-0609-3
11 Water Inlet Union (Compression Nut) . . . . .	13-6096-1
12 Water Drain Female Wing Adapter . . . . .	17-0602-1
13 Water Drain Copper Tube Insert . . . . .	11048-1
14 Water Pump Electrical Wire Lead . . . . .	† 20-7810-3
<b>Miscellaneous – Brackets, Screws, etc.</b>	
15 Dump Valve Mounting Bracket . . . . .	601597-1
16 Dump Valve Shield (Used on Air-cooled Models Only – Not shown) . . . . .	71-1190-3
17 Base Angle . . . . .	† 601287-1
18 Left Corner Post Weldment . . . . .	602241-1
19 Right Corner Post Weldment . . . . .	600266-2
20 Water Drain Vinyl Tubing, .625 ID . . . . .	† 44-2038-3
21 Water Inlet Vinyl Tubing, .25 OD . . . . .	44-2029-1
22 Compressor Mounting Rubber Grommet . . . . .	† 85-0485-9
23 Compressor Mounting Sleeve (Inserts into Grommet) . . . . .	† 85-0484-9
24 Compressor Mounting Nut . . . . .	† 54-3002-9
25 Compressor Mounting Washer . . . . .	55-7334-3
26 Clamp, Water Drain . . . . .	† 56-5070-9
27 Clamp, Expansion Valve Bulb (Not shown) . . . . .	† 56-5052-9
28 Clamp, Thermistor . . . . .	56-5084-3
29 Locknut Used to Fasten Refrigerant Service Valves . . . . .	† 54-7503-9
30 Screw, # 10-24 x .50 . . . . .	† 52-0206-9
31 Terminal Block 3 Pole . . . . .	20-0614-3
32 Terminal Block 4 Pole . . . . .	25-1126-3

† Refer to Cross Reference Guide

# J1800 AIR-COOLED



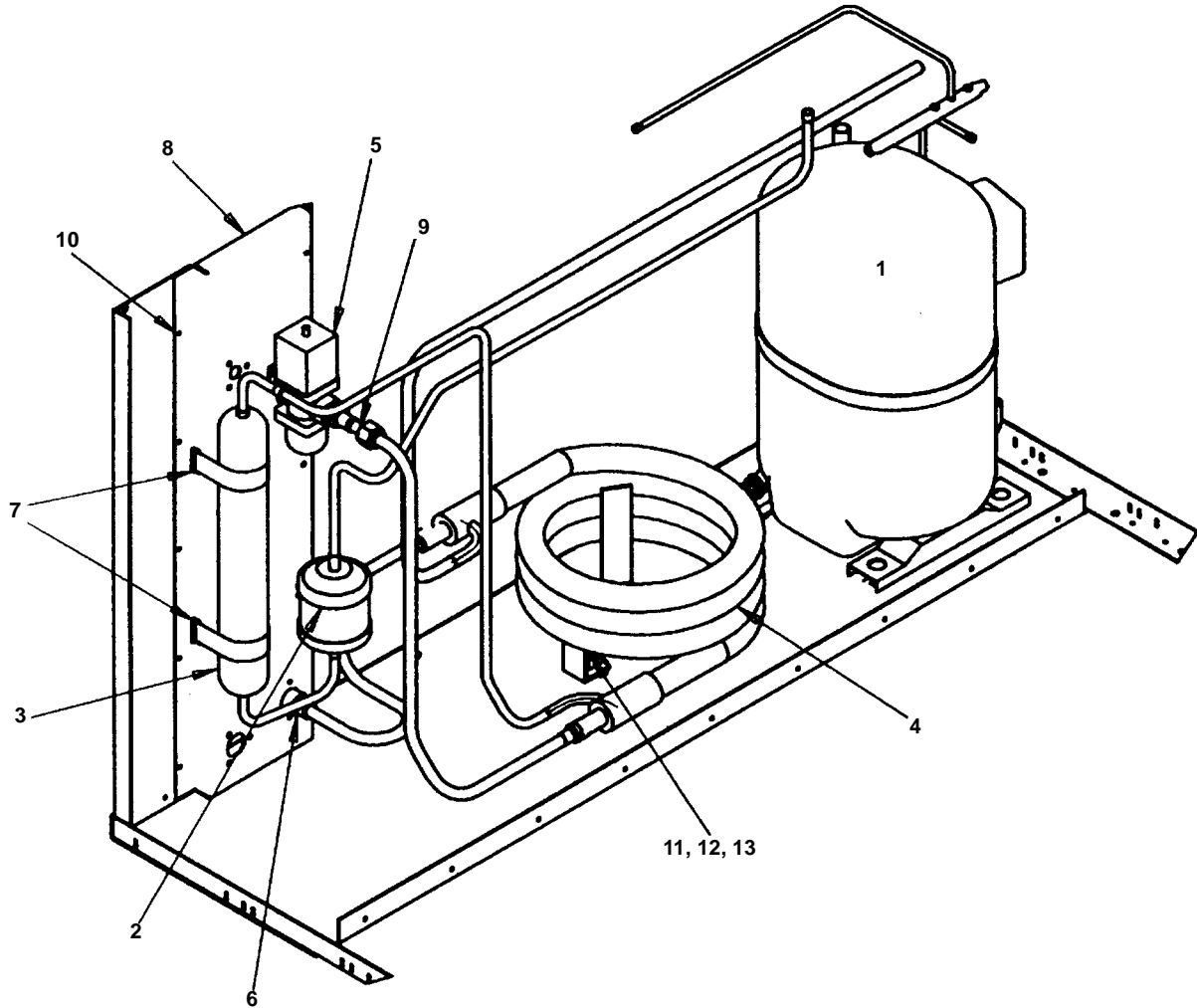
1464

## DESCRIPTION

	<b>PART NO.</b>
<b>1 Compressor (Refer to COMMON PARTS)</b> .....	<b>Page 4</b>
2 Air Condenser.....	88-5115-3
3 Fan Motor 208-230V/60 Hz or 230V/50 Hz.....	† 76-2673-3
4 Fan Blade.....	24-1611-3
5 Fan Cycling Control.....	† 20-0127-3
6 Air Filter (Not shown).....	40-4014-3
7 Drier.....	† 89-3024-9
8 Fan Motor Capacitor.....	85-0458-3
<b>Miscellaneous – Brackets, Screws, etc.</b>	
9 Air Filter Bracket (Not shown).....	† 76-2686-3
10 Fan Shroud.....	601468-1
11 Fan Motor Mounting Bracket.....	30-0682-3
12 Screw.....	† 50-3358-9
13 Lockwasher.....	† 55-4510-9
14 Flat Washer.....	† 55-7305-9
15 Rubber Well Nut.....	† 54-2955-9
16 Screw, #10-24 x .50.....	† 52-0206-9
17 Nut.....	† 54-2952-9
18 Screw, 1/4-20 x 1-1/4.....	† 50-3358-9
19 Compressor Sound Blanket (for Bristol).....	No Longer Available
19 Compressor Sound Blanket (for Tecumseh).....	40-0730-3

† Refer to Cross Reference Guide

# J1800 WATER-COOLED



1465

## DESCRIPTION

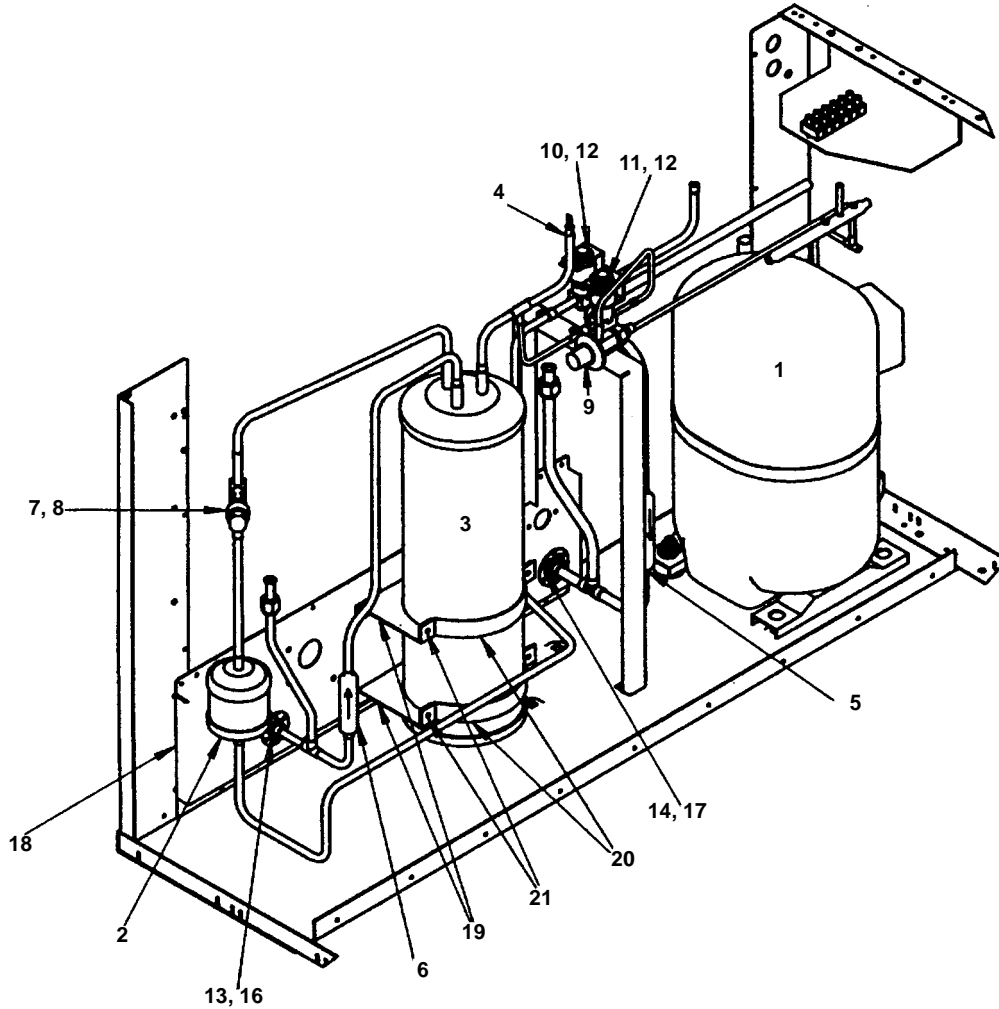
	<b>PART NO.</b>
<b>1 Compressor (Refer to COMMON PARTS)</b> .....	<b>Page 4</b>
<b>2 Drier</b> .....	† 89-3024-9
<b>3 Receiver</b> .....	89-0035-3
<b>4 Water-cooled Condenser</b> .....	† 000001508
<b>5 Water Regulating Valve</b> .....	83-7212-3
<b>5 3-Way Water Regulating Valve (Not shown)</b> .....	† 83-7205-9
<b>6 Water Drain Female Wing Adapter</b> .....	87-0612-3

## Miscellaneous – Brackets, Screws, etc.

<b>7 Receiver Strap</b> .....	600054-1
<b>8 Back Panel</b> .....	601539-1
<b>9 Water Coupling</b> .....	83-3419-3
<b>10 Screw, #10-24 x .50</b> .....	† 52-0206-9
<b>11 Flat Washer</b> .....	† 55-7309-9
<b>12 Lockwasher</b> .....	† 55-4514-9
<b>13 Nut</b> .....	† 54-3002-9

† Refer to Cross Reference Guide

# J1800 REMOTE



1466

## DESCRIPTION

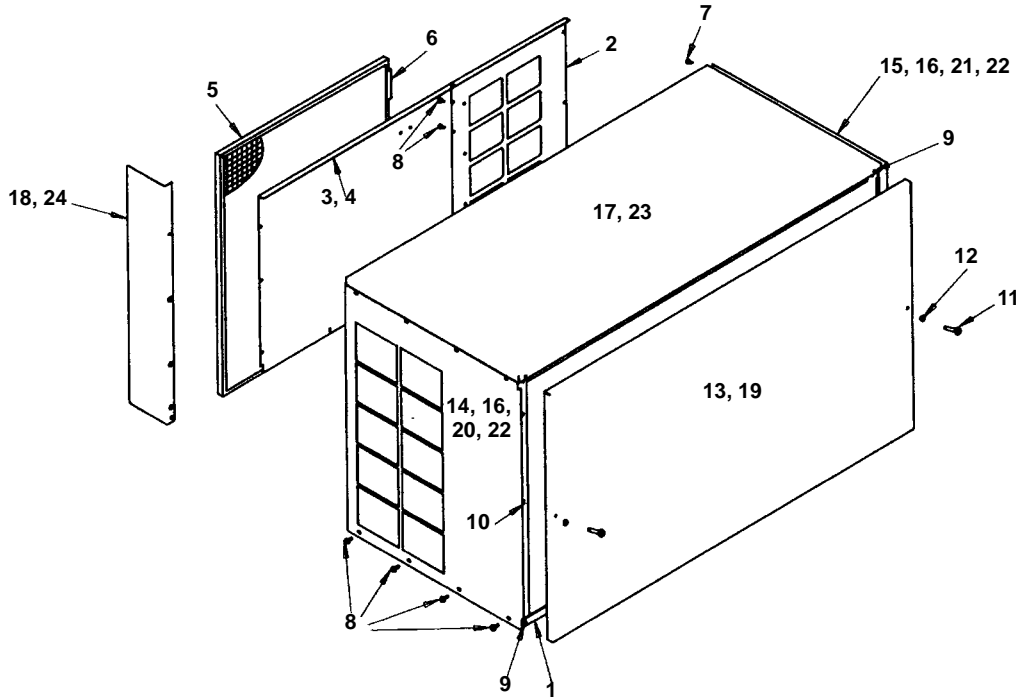
	<b>PART NO.</b>
<b>1 Compressor (Refer to COMMON PARTS)</b> .....	<b>Page 4</b>
<b>2 Drier</b> .....	† 89-3024-9
<b>3 Receiver</b> .....	† 76-2958-3
<b>4 Safety Soft Plug</b> .....	† 628451-9
<b>5 Magni-Check Valve 1/2</b> .....	† 83-7315-9
<b>6 Magni-Check Valve 3/8</b> .....	† 83-7314-9
<b>7 Liquid Line Service Valve</b> .....	† 83-7316-9
<b>8 Cap (For Liquid Line Service Valve)</b> .....	56-5075-3
<b>9 HPR Pressure Regulating Valve</b> .....	† 83-6779-3
<b>10 Liquid Line Solenoid Valve (LLS), Includes 230V Coil</b> .....	76-3010-1
<b>11 HPR Solenoid Valve, Includes 208/230V 50/60 Hz Coil (Danfoss)</b> .....	† 76-3006-1
<b>12 Alco 230V Coil Only, for LLS and HPR Valves</b> .....	† 24-0448-3
<b>13 Coupling – Male, 5/8-18</b> .....	† 83-6034-3
<b>14 Coupling – Male, 1-1/6-12</b> .....	† 83-6035-3
<b>15 Coupling Kit – Female (On Line Set, Not shown)</b> .....	Sales K0129

## Miscellaneous – Brackets, Screws, etc.

<b>16 Coupling Mounting Flange (For 5/8-18)</b> .....	83-6005-3
<b>17 Coupling Mounting Flange (For 1-1/6-12)</b> .....	83-6006-3
<b>18 Back Panel</b> .....	601539-1
<b>19 Receiver Mounting Bracket</b> .....	600056-1
<b>20 Receiver Mounting Strap</b> .....	630721-4
<b>21 Screw, #10-24 x .50</b> .....	† 52-0206-9

† Refer to Cross Reference Guide

# J1800 PANELS



1467

## COMMON

	<b>PART NO.</b>
1 Front Support Angle . . . . .	00000170
2 Back Panel, Air-cooled . . . . .	601472-1
3 Back Panel, Water-cooled . . . . .	601540-1
4 Back Panel, Remote . . . . .	† 602242-1
5 Air Filter . . . . .	40-4014-3
6 Air Filter Bracket Kit . . . . .	† 76-2686-3
7 Accordion Panel Clip . . . . .	54-4820-9
8 Screw, #10-24 x .50 . . . . .	† 52-0206-9
9 Screw, #10-24 x .50 . . . . .	† 52-0209-9
10 Cage Nut . . . . .	† 54-2910-9
11 Screw, #8-32 x 1.50 . . . . .	† 50-2668-9
12 "O" Ring . . . . .	† 37-1819-9

## FAWN

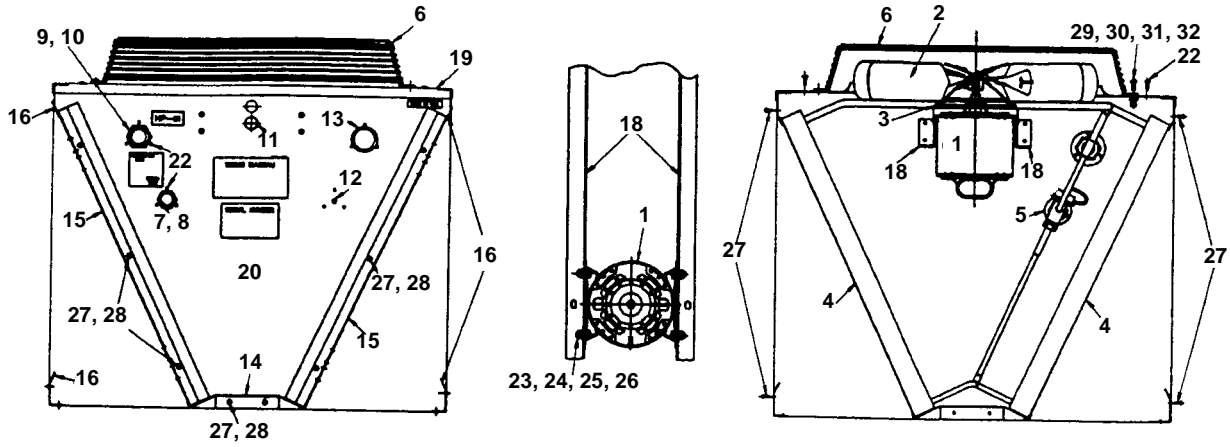
13 Front Panel . . . . .	76-2761-3
14 LH Side Panel, Air-cooled . . . . .	600269-1
15 RH Side Panel, Air-cooled . . . . .	600268-1
16 Side Panel (RH or LH), Water or Remote . . . . .	600267-1
17 Top Cover . . . . .	601476-1
18 Air Baffle . . . . .	600299-1

## STAINLESS STEEL

19 Front Panel . . . . .	76-2762-3
20 LH Side Panel, Air-cooled . . . . .	600269-3
21 RH Side Panel, Air-cooled . . . . .	600268-3
22 Side Panel (RH or LH), Water or Remote . . . . .	600267-3
23 Top Cover . . . . .	601476-2
24 Air Baffle . . . . .	600299-3

† Refer to Cross Reference Guide

# JC1895 REMOTE CONDENSER



1468

## COMMON PARTS

	<b>PART NO.</b>
1 Fan Motor, 230V/60 Hz .....	† 76-2941-3
2 Fan Blade .....	24-1611-3
3 Rain Slinger .....	24-1505-3
4 Air Condenser (Uses 2) .....	† 88-5089-9
5 Headmaster Control .....	83-6809-3
6 Fan Guard .....	34-0064-3
7 Male Coupling .....	† 83-6034-3
8 Coupling Flange for 83-6034-3 .....	83-6006-3
9 Male Coupling .....	† 83-6035-3
10 Coupling Flange for 83-6035-3 .....	83-6005-3
11 Hole Plug for 7/8" Hole .....	43-0146-3
12 Hole Plug for .625 Hole .....	43-0264-3
13 Hole Plug for 1-1/16" Hole .....	43-0192-3
14 Base .....	601779-1
15 Condenser Mounting Angle .....	601777-1
16 Support Bracket .....	† 601778-1
17 Electrical Box Cover (Not shown) .....	† 601776-1
18 Base Bracket for Mounting Fan .....	† 601768-1
19 Top Cover .....	601789-1
20 Front Panel .....	† 601787-1
21 Back Panel (Not shown) .....	† 601788-1
22 Screw, #10-24 x .50 .....	† 52-0206-9
23 Screw, .31-18 x .62 Hex Head .....	52-3565-9
24 Nut, .31-18 Steel Hex Head .....	54-2975-9
25 Washer, Flat .31 ID .....	† 55-7309-9
26 Lockwasher, .31 Split .....	† 55-7313-9
27 Screw, #8 x .50 .....	† 51-2153-9
28 Lockwasher, #8 .....	† 55-4459-9
29 Screw, .25 x .62 .....	† 50-3345-9
30 Lockwasher, .25 Split SS .....	† 55-4511-9
31 Washer, Flat .25 SS .....	† 55-7304-9
32 Nut, .25 Steel Hex .....	† 54-2952-9
33 Female Coupling Kit .....	Sales K0129

† Refer to Cross Reference Guide

**INTENTIONALLY LEFT BLANK**