



## **Ice Machine Parts List for Series Q130 Models**

**QR0130A**

**QD0133W**

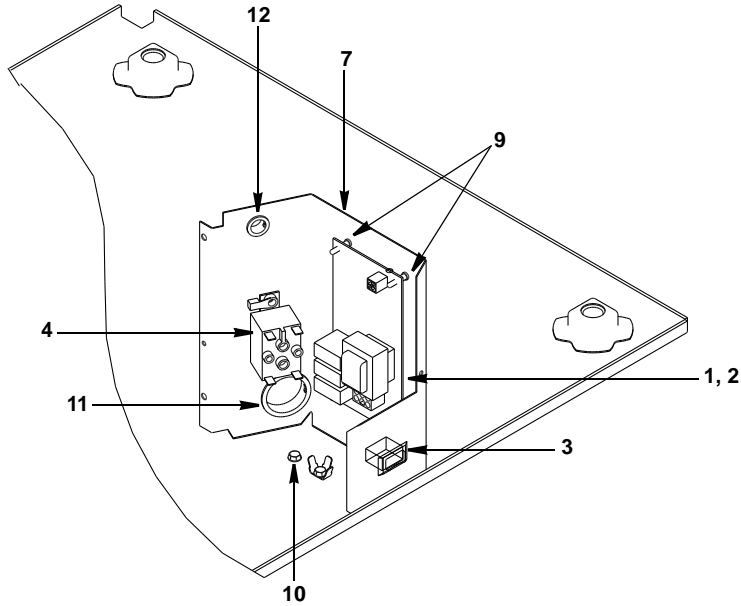
**QR0131W**

**QY0134A**

**QD0132A**

**QY0135W**

## Q130 CONTROL BOX



pt1262

### DESCRIPTION

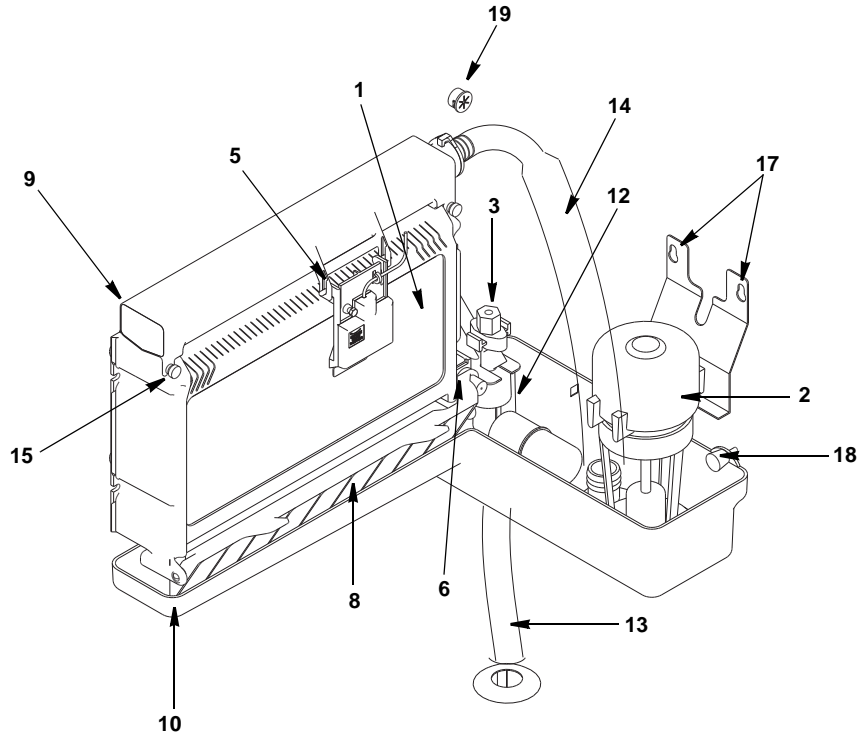
	<b>PART NO.</b>
1 Control Board (for use with all voltages) . . . . .	† 76-2907-3
2 10 Amp Fuse – Mounted on Control Board . . . . .	25-1149-3
3 <b>Toggle Switch</b> Only . . . . .	23-0151-3
a. Wiring Harness Only . . . . .	20-3248-3
4 <b>Contactor Kit</b>	
a. 115V/60 Hz/1 Ph. . . . .	76-0083-3
b. 230V/50/60 Hz/1 Ph . . . . .	76-0084-3
5 <b>Wiring Harness</b>	
a. Air-Cooled (Not shown) . . . . .	20-3299-3
b. Water-Cooled (Not shown) . . . . .	20-3300-3
c. Ice Thickness Control Probe (Wire Lead and Connectors Only) . . . . .	20-0701-3
Ice Thickness Control Probe (Wire Lead and Connectors Only) . . . . .	76-0160-3
6 <b>Power Cord</b>	
a. 125V/60 Hz (Not shown) . . . . .	20-3301-3
b. 230V/60 Hz (Not shown) . . . . .	20-3303-3
c. 230V/50 Hz (Not shown) . . . . .	20-3302-3

### Miscellaneous – Brackets, Screws, etc.

7 Control Box . . . . .	† 604693-1
8 Control Box Cover (Not shown) . . . . .	76-2908-3
9 Control Board Mounting Supports . . . . .	43-0225-3
10 Screw, #10-24 x .50 Ground . . . . .	52-0223-3
11 Bushing . . . . .	† 25-0013-9
12 Bushing . . . . .	† 25-0218-9

† Refer to Cross Reference Guide

# Q130 EVAPORATOR COMPARTMENT



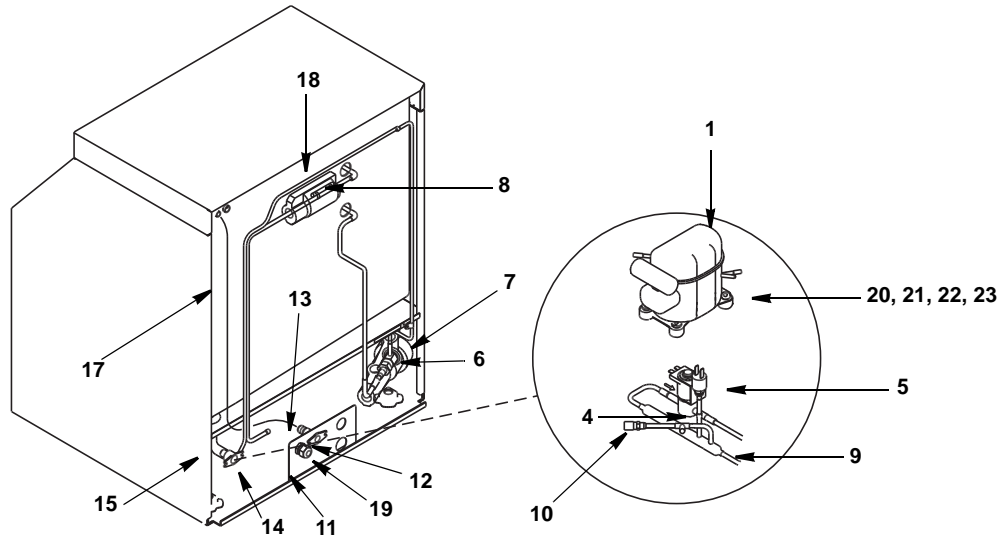
pt1279

## DESCRIPTION

		<b>PART NO.</b>
1	<b>Evaporator Assembly</b>	
	a. Regular Cube . . . . .	† 76-2945-3
	b. Dice Cube . . . . .	† 76-2946-3
	c. Half Dice Cube . . . . .	76-2947-3
2	<b>Water Pump</b>	
	a. 115V/60 Hz . . . . .	† 76-2306-3
	b. 208-230V/60 Hz or 230V/50 Hz . . . . .	† 76-2601-3
3	<b>Float Valve (Complete Assembly) - Up to Serial Number 031100000</b> . . . . .	† 76-0213-3
4	<b>Float Valve (Complete Assembly) - After Serial Number 031100000</b> . . . . .	83-6904-9
	a. Float Valve Screen . . . . .	† 83-6906-9
	b. Float Valve Plunger . . . . .	† 83-6908-9
	c. Float Valve Compression Nut . . . . .	† 56-5072-9
5	Ice Thickness Control Probe . . . . .	† 76-0160-3
6	Magnetic Bin Switch (Mounted to Evaporator) . . . . .	† 23-0148-3
7	Water Flow Clamp (Not shown) . . . . .	76-2054-3
8	Ice Damper . . . . .	† 76-0049-3
	a. Ice Damper Magnet and Cap . . . . .	76-2909-3
9	Water Distribution Tube . . . . .	43-0426-3
10	Water Trough . . . . .	43-0412-3
11	Water Inlet Tubing (Not shown) . . . . .	44-2029-1
12	Siphon Cap . . . . .	43-0222-3
<b>Miscellaneous – Brackets, Screws, etc.</b>		
13	Drain Tube . . . . .	† 76-0085-3
14	Tubing (Water Pump Out) . . . . .	40-1205-3
15	Screw, #8-32 x .63 Nylon Water Distribution Tube Mounting . . . . .	† 50-0001-3
16	Screw, #10-24 x .750 Used to Mount Evaporator (Not shown) . . . . .	† 52-0218-9
17	Screw, #10-24 x .50 . . . . .	† 52-0206-9
18	Thumbscrew, #8-32 x .625 . . . . .	50-0001-3
19	Bushing (Ice Thickness Probe Wire) . . . . .	† 25-0016-9
20	Water Pump Lead (Not Shown) . . . . .	20-7806-3

† Refer to Cross Reference Guide

# Q130 REFRIGERATION COMPARTMENT – COMMON PARTS



pt1278

## DESCRIPTION

## PART NO.

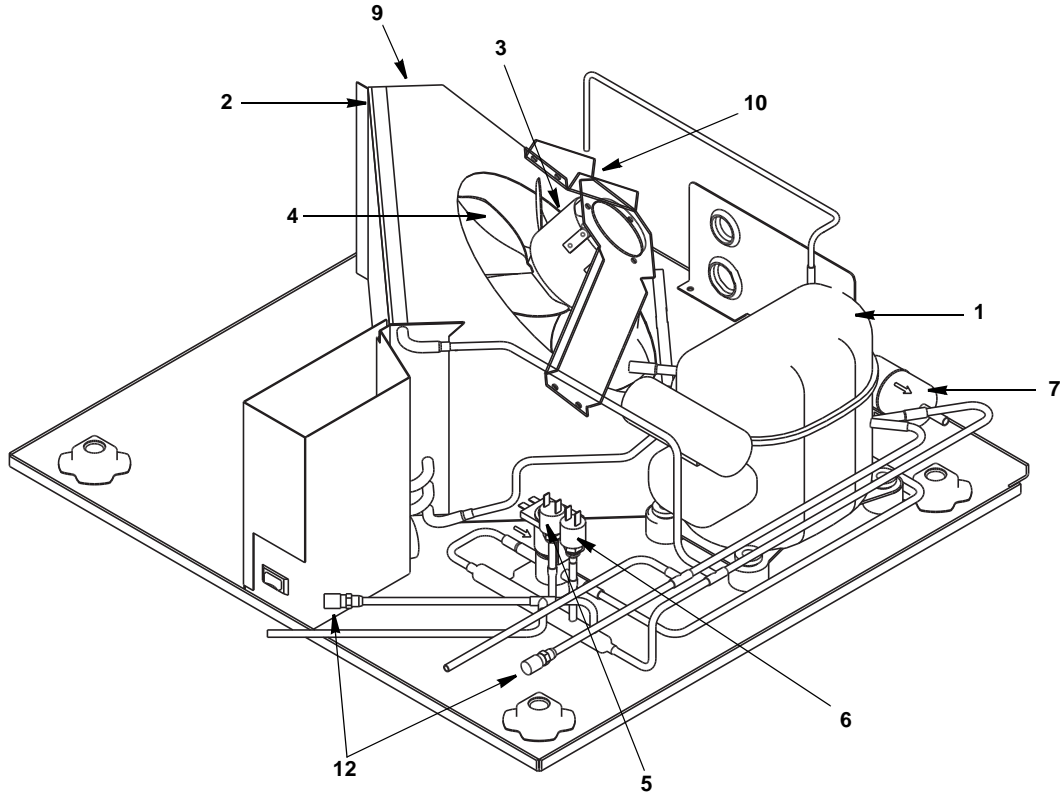
**NOTE:** Replace a Tecumseh compressor/start components with a Tecumseh compressor/start components and a Danfoss compressor/start components with a Danfoss compressor/start components.

**DO NOT INTERCHANGE COMPRESSORS OR START COMPONENTS.**

<b>1</b>	<b>Tecumseh Compressor - Before Serial Number 021100000</b>	
a.	115V/60 Hz/1 Ph	† 76-2910-3
	Overload for Compressor	85-0562-3
	Starting Device (Tecumseh)	85-0565-3
	Start Capacitor (Tecumseh)	85-0580-3
b.	208/230V 60 Hz/1 Ph (Tecumseh)	† 76-2911-3
	Overload for Compressor	85-0563-3
	Starting Device (Tecumseh)	85-0566-3
	Start Capacitor (Tecumseh)	85-0576-3
c.	224/240V 50 Hz/1 Ph (Tecumseh)	† 76-2912-3
	Overload for Compressor	85-0564-3
	Starting Device (Tecumseh)	† 85-0567-3
	Start Capacitor (Tecumseh)	85-0581-3
<b>2</b>	<b>Danfoss Compressor - Between Serial Number 021100000 and Serial Number 310047287</b>	
a.	115V/60 Hz/1 Ph	76-0132-3
	Start Relay with Overload (Danfoss)	20-0204-3
	Start Capacitor (Danfoss)	20-0203-3
b.	208/230V 60 Hz/1 Ph (Danfoss)	76-0133-3
	Start Relay with Overload (Danfoss)	20-0487-3
	Start Capacitor (Danfoss)	20-0486-3
c.	224/240V 50 Hz/1 Ph (Danfoss)	76-0133-3
	Start Relay with Overload (Danfoss)	20-0487-3
	Start Capacitor (Danfoss)	20-0486-3
<b>3</b>	<b>Compressor - After Serial Number 310047287</b>	
a.	115V/60 Hz/1 Ph	000002636
	Start Relay with Overload	000002899
	Start Capacitor	000002901
b.	208/230V 50-60 Hz/1 Ph	000002637
	Start Relay with Overload	000002900
	Start Capacitor	82-5109-3
<b>4</b>	<b>Hot Gas Valve</b>	
a.	Hot Gas Valve Including 115V 60 Hz Electrical Coil (Danfoss)	† 76-3000-1
b.	Hot Gas Valve 115V Coil Only Danfoss	000002048
c.	Hot Gas Valve 115V Coil Only Alco	24-0436-3
d.	Hot Gas Valve Including 208/230V 50/60 Hz Electrical Coil (Danfoss)	† 76-3006-1
e.	Hot Gas Valve 208/230V 50/60 Hz Coil Only Danfoss	000002049
f.	Hot Gas Valve 208/230V 50/60 Hz Coil Only Alco	† 24-0448-3
<b>5</b>	High Pressure Cut-out	† 20-0124-3
<b>6</b>	Expansion Valve	
a.	After Serial Number 310047287	040000594
b.	Before Serial Number 310047287	† 76-0050-3
<b>7</b>	Expansion Valve Body Insulation Boot	
a.	Alco	40-0721-3
b.	Danfoss	40-0036-3
<b>8</b>	Expansion Valve Bulb Insulation Boot	40-0720-3
<b>9</b>	Manifold Strainer (in front of hot gas valve)	83-1016-3
<b>10</b>	Access Valve	83-7325-3
	<b>Miscellaneous – Brackets, Screws, etc.</b>	
<b>11</b>	Bracket (Water/Electrical Inlet)	602682-1
<b>12</b>	Water Inlet Female Wing Adapter	† 87-0609-3
<b>13</b>	Male Connector 1/4" OD x 1/8" NTPF	13-6096-1
<b>14</b>	Bin Drain Female Wing Adapter	87-0608-3
<b>15</b>	Bin Drain Tubing (Molded)	44-2098-3
<b>16</b>	Bin Drain Hose Clamp (Not shown)	† 56-5064-9
<b>17</b>	Water Inlet Tubing .375 ID	44-2029-1
<b>18</b>	Clamp, Expansion Valve Bulb	† 56-5052-9
<b>19</b>	Screw, #10-24 x .50	† 52-0206-9
<b>20</b>	Compressor Mounting Rubber Grommet	† 85-0306-9
<b>21</b>	Compressor Mounting Washer	† 55-7309-9
<b>22</b>	Compressor Hex Head Cap Screw	† 50-3770-9
<b>23</b>	Compressor Mounting Sleeve 3/8" ID x 1.031	† 85-0394-9

† Refer to Cross Reference Guide

# Q130 REFRIGERATION COMPARTMENT – AIR-COOLED



pt1281

## DESCRIPTION

1	Compressor (Refer to COMMON PARTS Page)	.....
2	Air Condenser	.....
3	Fan Motor	.....
	a. 115V	.....
	b. 208-230V/60 Hz or 230V/50 Hz	.....
4	Fan Blade	.....
5	Fan Cycling Control	.....
6	High Pressure Cut-Out	.....
7	Drier	.....
8	Air Filter (Not shown)	.....

## PART NO.

Page 4
88-5137-3
24-1308-9
24-1309-9
24-1624-3
† 20-0127-3
23-5541-3
† 89-3025-9
76-2914-3

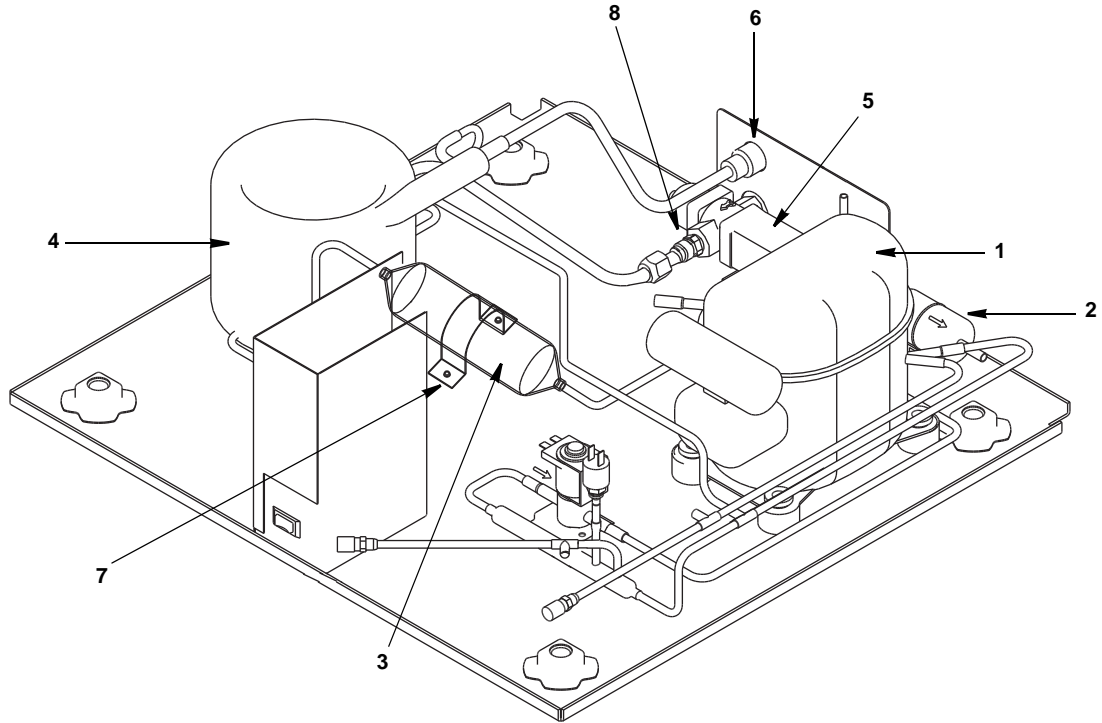
## Miscellaneous – Brackets, Screws, etc.

9	Fan Shroud	.....
10	Fan Motor Mounting Bracket	.....
11	Speed Nut to Mount Fan Blade (Not shown)	.....
12	Access Valve	.....

602685-1
602743-1
† 54-7507-9
83-7325-3

† Refer to Cross Reference Guide

# Q130 REFRIGERATION COMPARTMENT – WATER-COOLED



pt1282

## DESCRIPTION

1	Compressor (Refer to COMMON PARTS Page) .....
2	Drier .....
3	Receiver .....
4	Water-cooled Condenser .....
5	Water Regulating Valve .....
6	Water Drain Female Wing Adapter .....

## PART NO.

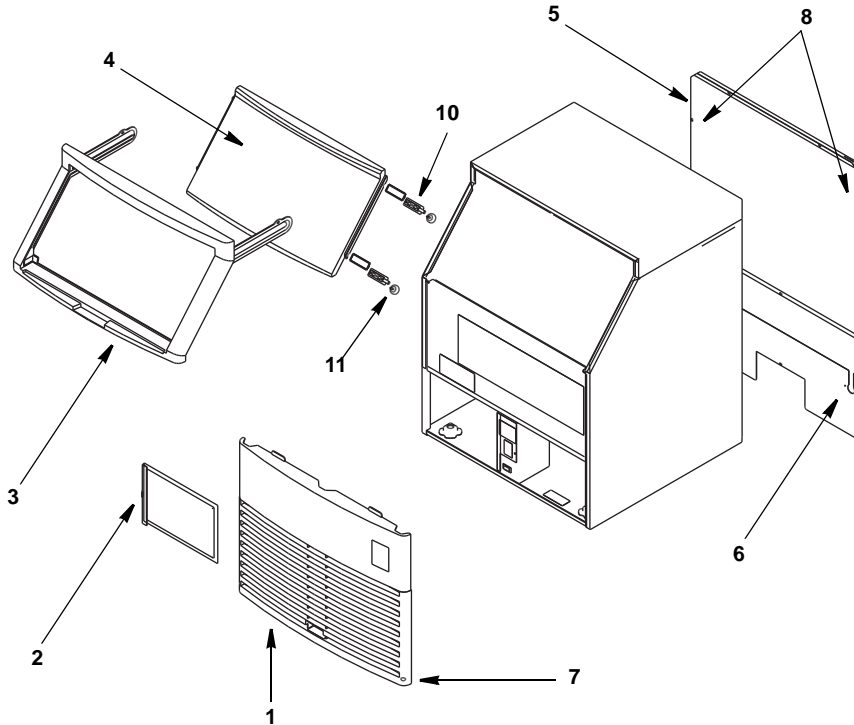
Page 4
† 89-3025-9
12-0003-1
88-6538-3
83-7210-3
87-0610-3

## Miscellaneous – Brackets, Screws, etc.

7	Receiver Strap .....
8	Water Coupling .....

600189-1
83-3202-3

## Q130 PANELS



pt1283

### DESCRIPTION

	<b>PART NO.</b>
1 Front Panel Assembly .....	76-2915-3
2 Air Filter .....	76-2914-3
3 Door Frame Assembly .....	76-2916-3
4 Bin Door* .....	† 43-0456-3
5 Back Panel, Upper .....	602680-1
6 Back Panel, Lower .....	603350-1

### Miscellaneous – Brackets, Screws, etc.

7 Front Cover Screw .....	† 52-0223-9
8 Screw, #10-24 x .50 .....	† 52-0206-9
9 Ice Scoop (Not shown) .....	† 33-0260-3
10 Door Pin Gasket and Door Pin Assembly .....	76-2917-3
11 Door Pin Thumbscrews .....	50-1235-3

\*If you are replacing a door with a "screw in" removable door pin, you must order door P/N 43-0456-3 and door frame P/N 76-2916-3. If you are replacing a door with a molded non-removable door pin, order door P/N 43-0456-3 only.

**INTENTIONALLY LEFT BLANK**