



**Ice Machine Parts List for
Series Q270 Models**

QR0270A

QD0273W

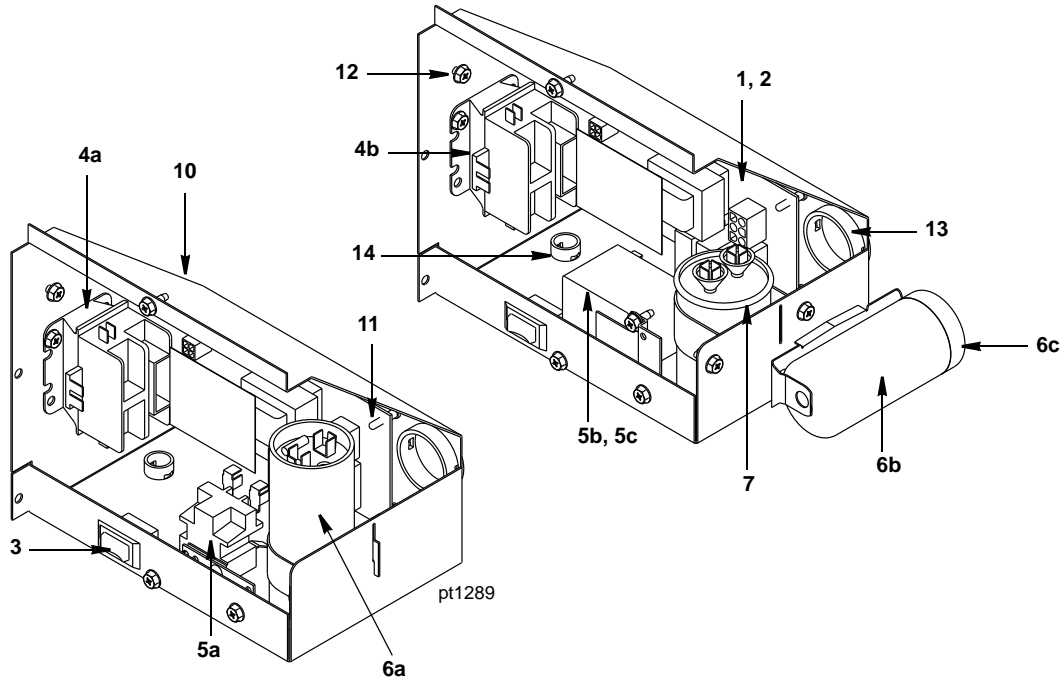
QR0271W

QY0274A

QD0272A

QY0275W

Q270 CONTROL BOX



DESCRIPTION

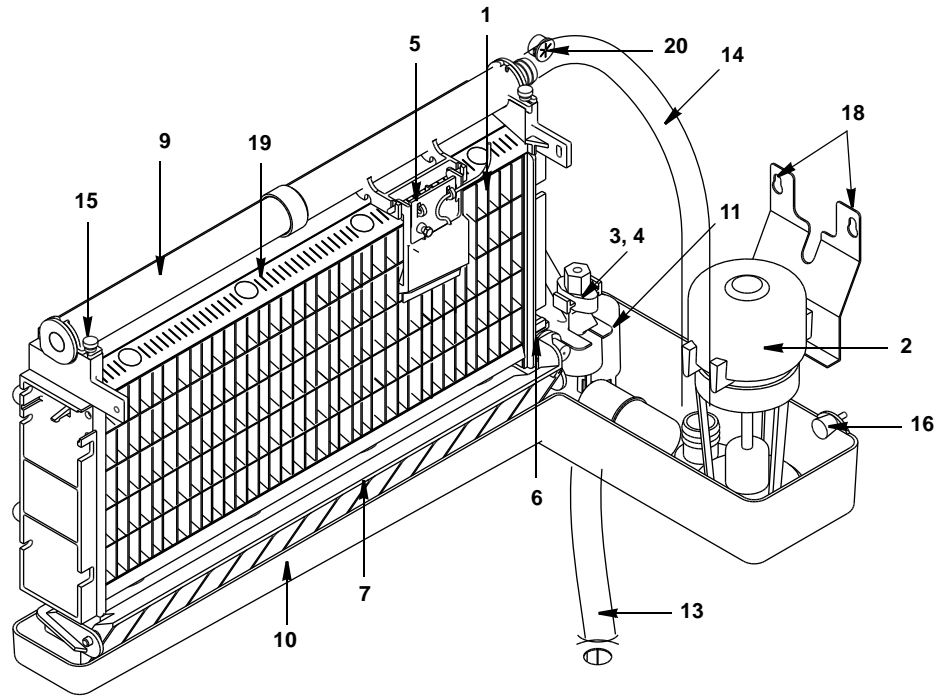
	PART NO.
1 Control Board (for use with all voltages)	† 76-2907-3
2 10 Amp Fuse – Mounted on Control Board	25-1149-3
3 Toggle Switch Only	23-0151-3
a. Wiring Harness Only	20-3248-3
4 Contactor	
a. 115V/60 Hz/1 Ph	† 20-0656-9
b. 230V/50-60 Hz/1 Ph	† 20-0657-9
5 Start Relay	(see page 4)
6 Start Capacitor	(see page 4)
7 Run Capacitor	(see page 4)
8 Wiring Harness	
a. Air-Cooled 115V/60 Hz/1 Ph (Not shown)	20-3315-3
b. 230V/50-60 Hz/1 Ph (Not shown)	20-3316-3
c. Water-Cooled 115V/60 Hz/1 Ph (Not shown)	20-3313-3
d. 230V/50-60 Hz/1 Ph	20-3314-3
e. Ice Thickness Control Probe (Wire Lead and Connectors Only)	20-0700-3
Ice Thickness Control Probe (Wire Lead and Connectors Only)	76-0160-3
9 Power Cord	
a. 125V/60 Hz (Not shown)	20-3301-3
b. 230V/60 Hz (Not shown)	20-3303-3
c. 230V/50 Hz (Not shown)	20-3302-3

Miscellaneous – Brackets, Screws, etc.

10 Control Box	603461-1
11 Control Board Mounting Supports	43-0225-3
12 Screw, #10-24 x .50 Ground	† 52-0216-9
13 Bushing	† 25-0013-9
14 Bushing	† 25-0218-9

† Refer to Cross Reference Guide

Q270 EVAPORATOR COMPARTMENT



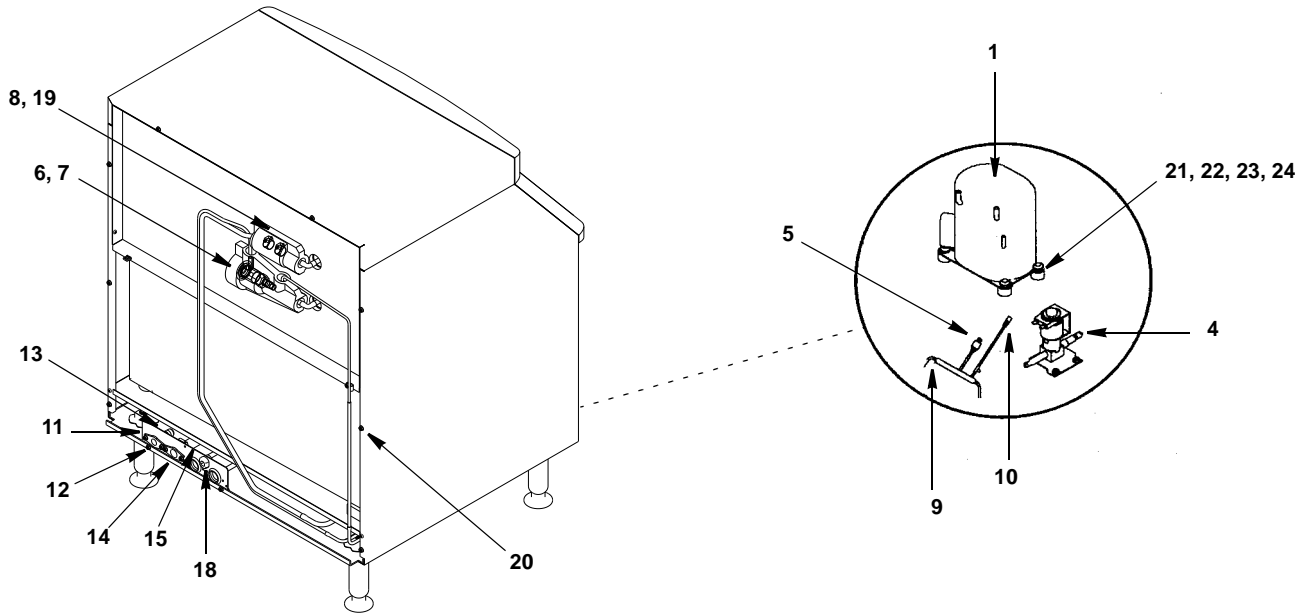
pt1258

DESCRIPTION

	DESCRIPTION	PART NO.
1	Evaporator Assembly	
	a. Regular Cube	† 76-2954-9
	b. Dice Cube	† 76-2955-9
	c. Half Dice Cube	† 76-2956-9
2	Water Pump	
	a. 115V/60 Hz	† 76-2306-3
	b. 208-230V/60 Hz or 230V/50 Hz	† 76-2601-3
3	Float Valve (Complete Assembly) - Up to Serial Number 031100000	† 76-0213-3
4	Float Valve (Complete Assembly) - After Serial Number 031100000	83-6904-9
	a. Float Valve Screen	† 83-6906-9
	b. Float Valve Plunger	† 83-6908-9
	c. Float Valve Compression Nut	† 56-5072-9
5	Ice Thickness Control Probe	† 76-0160-3
6	Magnetic Bin Switch (Mounted to Evaporator)	† 76-0161-3
7	Water Flow Clamp (Not shown, used on Regular Cube Only)	76-2054-3
8	Ice Damper	† 76-0048-3
	a. Ice Damper Magnet and Cap	76-2909-3
9	Water Distribution Tube	† 76-2498-3
10	Water Trough	43-0386-3
11	Water Inlet Tubing (Not shown)	44-20r29-1
12	Siphon Cap	43-0222-3
Miscellaneous – Brackets, Screws, etc.		
13	Drain Tube	† 44-0013-3
14	Tubing (Water Pump Out)	40-1205-3
15	Screw, #8-32 x .63 Nylon Water Distribution Tube Mounting	† 50-0001-3
16	Thumbscrew, #8-32 x .625	53-0510-3
17	Screw, #10-24 x .750 – Used to Mount Evaporator (Not shown)	† 52-0218-9
18	Screw, #10-24 x .50	† 52-0206-9
19	Evaporator Top Molding and Gasket Assembly	76-2621-3
20	Bushing (Ice Thickness Probe Wire)	† 25-0016-9
21	Water Pump Lead (Not Shown)	20-7806-3

† Refer to Cross Reference Guide

Q270 REFRIGERATION COMPARTMENT – COMMON PARTS



DESCRIPTION

PART NO.

NOTE: Replace a Tecumseh compressor/start components with a Tecumseh compressor/start components and a Danfoss compressor/start components with a Danfoss compressor/start components.

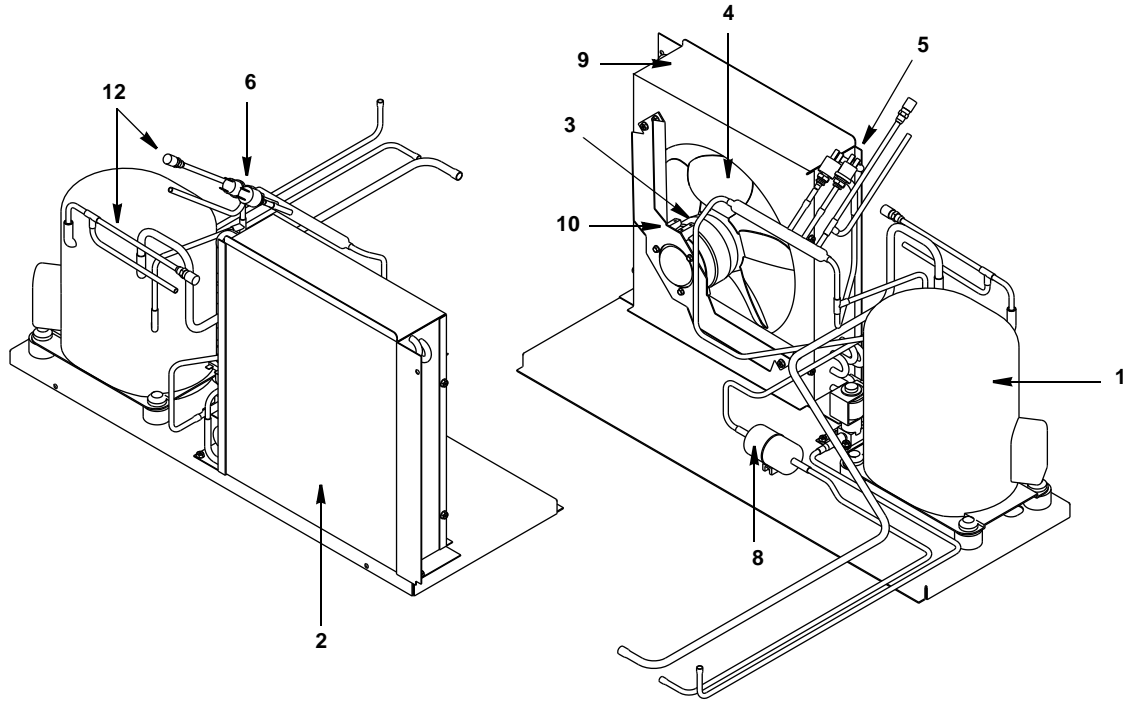
DO NOT INTERCHANGE COMPRESSORS OR START COMPONENTS.

1	Tecumseh Compressor	
a.	115V/60 Hz/1 Ph	† 76-2936-3
	Starting Device	85-03743
	Start Capacitor	85-0577-3
	Overload for Compressor	85-0573-3
b.	208/230V 60 Hz/1 Ph	† 76-2937-3
	Starting Device	85-0455-3
	Start Capacitor	85-0576-3
	Run Capacitor	85-0400-3
	Overload for Compressor	85-0574-3
c.	224/240V 50 Hz/1 Ph	† 76-2938-3
	Starting Device	85-0448-3
	Start Capacitor	85-0576-3
	Run Capacitor	85-0400-3
	Overload for Compressor	85-0575-3
2	Danfoss Compressor SC10MLX	
a.	115V/60 Hz/1 Ph	76-0134-3
	Starting Device (Danfoss)	82-5103-3
	Start Capacitor (Danfoss)	82-5102-3
b.	208/230V 60 Hz/1 Ph	76-0135-3
	Starting Device (Danfoss)	20-0224-3
	Start Capacitor (Danfoss)	82-5109-3
c.	224/240V 50 Hz/1 Ph	76-0135-3
	Starting Device (Danfoss)	20-0224-3
	Start Capacitor (Danfoss)	82-5109-3
3	Danfoss Compressor SC12MLX	
a.	115V/60 Hz/1 Ph	76-0136-3
	Starting Device (Danfoss)	20-0205-3
	Start Capacitor (Danfoss)	85-0577-3
b.	208/230V 60 Hz/1 Ph	76-0137-3
	Starting Device (Danfoss)	20-0210-3
	Start Capacitor (Danfoss)	000000022
c.	224/240V 50 Hz/1 Ph	76-0137-3
	Starting Device (Danfoss)	20-0210-3
	Start Capacitor (Danfoss)	000000022
4	Hot Gas Valve	
a.	Danfoss	
	Hot Gas Valve Including 115V 60 Hz Electrical Coil	† 76-3001-1
	Hot Gas Valve 115V Coil Only	000002048
	Hot Gas Valve Including 208/230V 50/60 Hz Electrical Coil	† 76-3007-1
	Hot Gas Valve 208/230V 50/60 Hz Coil Only	000002049
b.	Alco	
	Hot Gas Valve 115V Coil Only Alco	24-0436-3
	Hot Gas Valve 208/230V 50/60 Hz Coil Only Alco	† 24-0448-3
5	High Pressure Cut-out	† 20-0124-3
6	Expansion Valve	† 76-0017-3
7	Expansion Valve Body Insulation Boot	
a.	Alco	40-0721-3
b.	Danfoss	40-0036-3
8	Expansion Valve Bulb Insulation Boot	40-0720-3
9	Manifold Strainer (in front of hot gas valve)	83-1016-3
10	Access Valve	83-7325-3

Miscellaneous – Brackets, Screws, etc.

11	Bracket (Water/Electrical Inlet)	603460-1
12	Water Inlet Female Wing Adapter	† 87-0609-3
13	Male Connector 1/4" OD x 1/8" NTPF	13-6096-1
14	Bin Drain Female Wing Adapter	87-0608-3
15	Bin Drain Tubing (Molded)	44-2146-3
16	Bin Drain Hose Clamp (Not shown)	† 56-5064-9
17	Water Inlet Tubing .375 ID	44-2029-1
18	Strain Relief (Electrical Cord)	25-0228-3
19	Clamp, Expansion Valve Bulb	† 56-5052-9
20	Screw, #10-24 x .50	† 52-0206-9
21	Compressor Mounting Rubber Grommet	85-0306-9
22	Compressor Mounting Washer	† 55-7309-9
23	Compressor Hex Head Cap Screw	† 50-3770-9
24	Compressor Mounting Sleeve 3/8" ID x 1.031	† 85-0394-9

Q270 REFRIGERATION COMPARTMENT – AIR-COOLED



pt1291

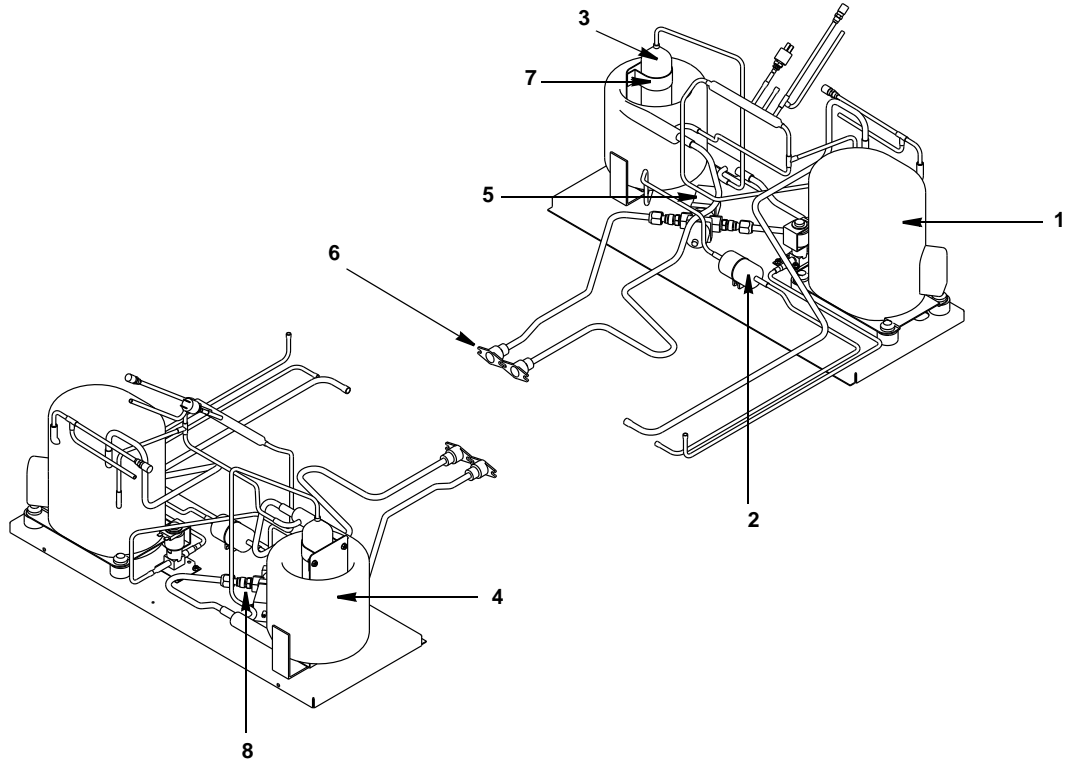
DESCRIPTION

	PART NO.
1 Compressor (Refer to COMMON PARTS Page)	Page 4
2 Air Condenser	88-5138-3
3 Fan Motor	
a. 115V	† 24-1281-3
b. 208-230V/60 Hz or 230V/50 Hz	† 24-1282-3
4 Fan Blade	24-1622-3
5 Fan Cycling Control	† 20-0127-3
6 High Pressure Cut-out (Refer to COMMON PARTS Page)	Page 4
7 Air Filter (Not shown)	76-2952-3
8 Drier	† 89-3025-9

Miscellaneous – Brackets, Screws, etc.

9 Fan Shroud	603459-1
10 Fan Motor Mounting Bracket	602743-1
11 Speed Nut to Mount Fan Blade (Not shown)	† 54-7507-9
12 Access Valve	83-7325-3

Q270 REFRIGERATION COMPARTMENT – WATER-COOLED



pt1292

DESCRIPTION

1	Compressor (Refer to COMMON PARTS Page)
2	Drier
3	Receiver
4	Water-cooled Condenser
5	Water Regulating Valve
6	Water Drain Female Wing Adapter

PART NO.

Page 4
† 89-3025-9
12-0003-1
† 88-6531-3
83-7210-3
87-0610-3

Miscellaneous – Brackets, Screws, etc.

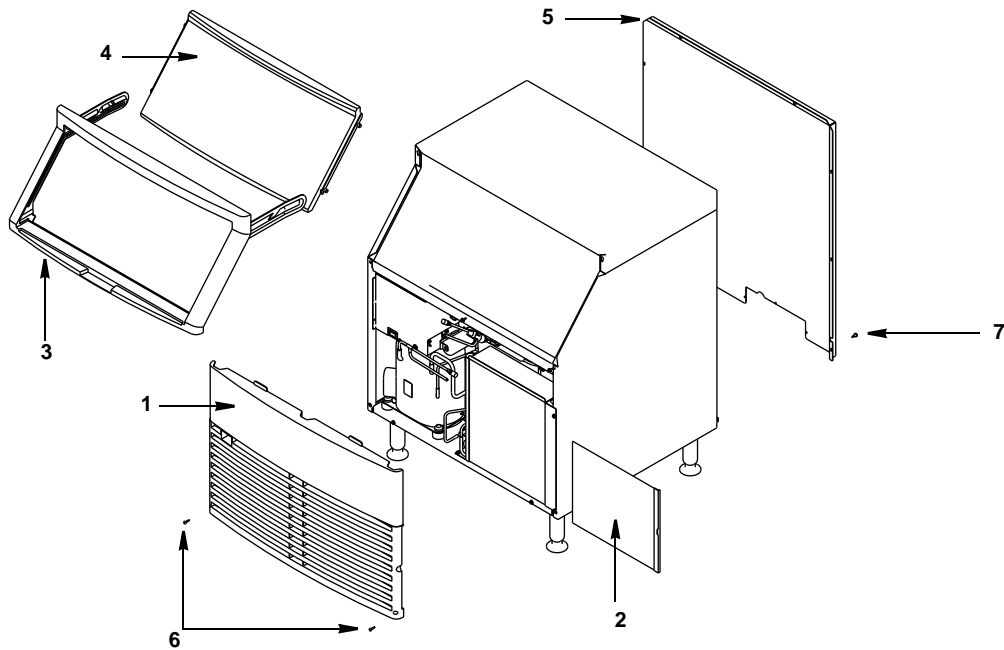
7	Receiver Strap
8	Water Coupling

600189-1
83-3202-3

† Refer to Cross Reference Guide

INTENTIONALLY LEFT BLANK

Q270 PANELS



pt1293

DESCRIPTION

DESCRIPTION	PART NO.
1 Front Panel Assembly	76-2951-3
2 Air Filter	76-2952-3
3 Door Frame Assembly	76-2953-3
4 Bin Door	43-0439-3
5 Back Panel, Upper	603467-1

Miscellaneous – Brackets, Screws, etc.

6 Front Cover Screw	† 52-0223-9
7 Screw, #10-24 x .50	† 52-0206-9
8 Ice Scoop (Not shown)	† 33-0260-3

† Refer to Cross Reference Guide

