



## **Ice Machine Parts List for Series Q280 Models**

**QR0280A**

**QD0283W**

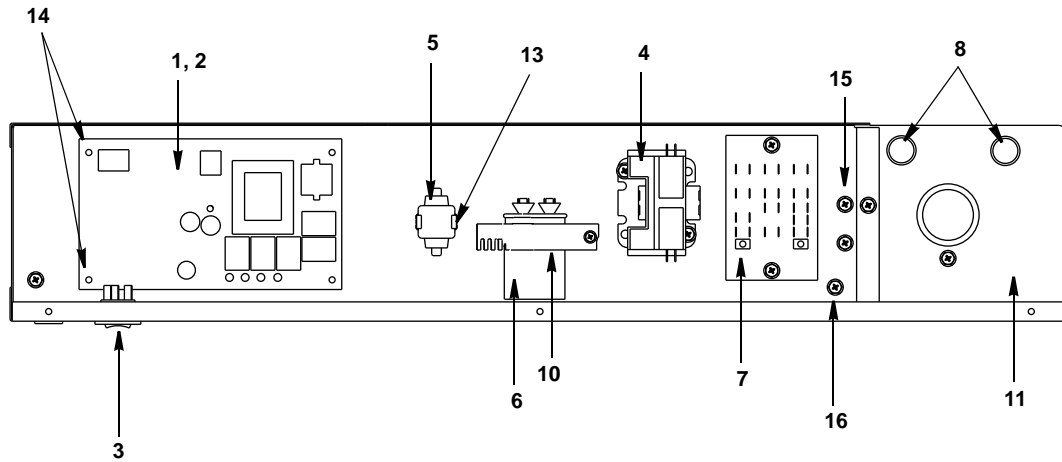
**QR0281W**

**QY0284A**

**QD0282A**

**QY0285W**

## Q280 CONTROL BOX



pt1150

### DESCRIPTION

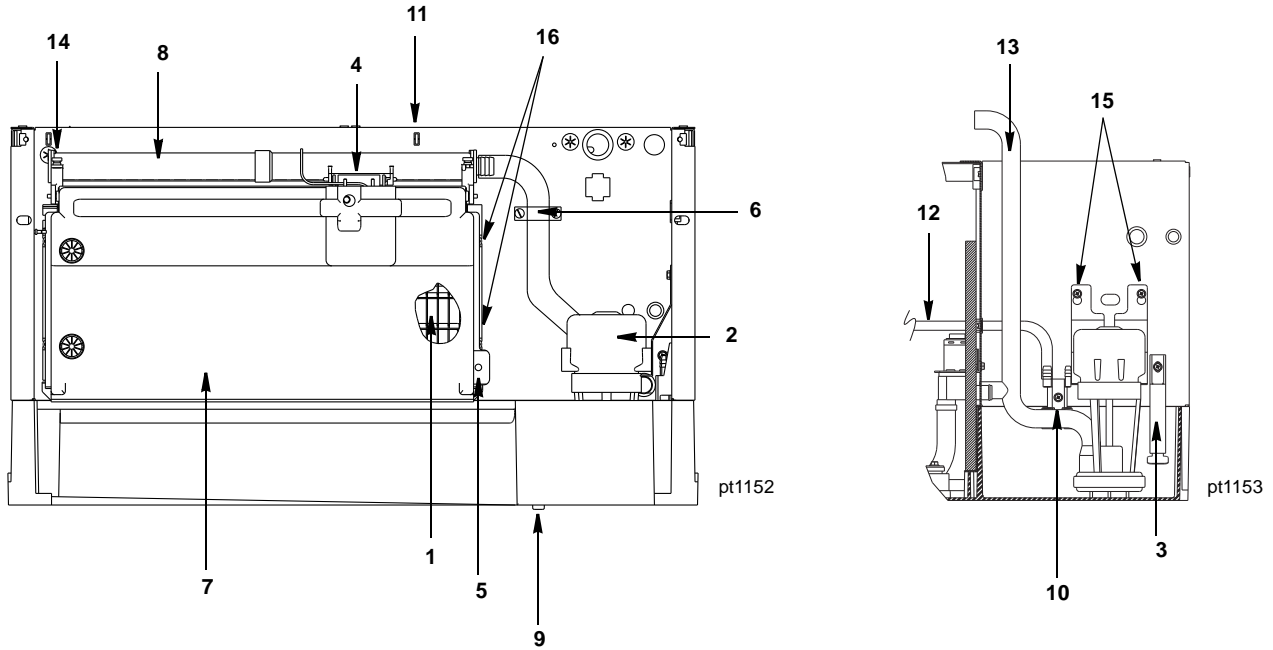
1	Control Board (for use with all voltages) . . . . .	† 76-2782-3
2	7 Amp Fuse – Mounted on Control Board . . . . .	25-1100-3
3	<b>Toggle Switch Only</b> . . . . .	23-0134-3
	a. Toggle Switch with Wiring Harness Attached . . . . .	20-3217-3
4	<b>Contactor</b>	
	a. 115V/60 Hz/1 Ph. . . . .	† 20-0656-9
	b. 208-230V/60 Hz/1 Ph or 230V/50 Hz/1 Ph . . . . .	† 20-0657-9
5	P.T.C.R. Compressor Starter . . . . .	85-0500-3
6	Run Capacitor (230/60 and 230/50 Only) . . . . .	85-0400-3
7	<b>Terminal Board with Wire Harness Attached</b>	
	a. 115V/60 Hz/1 Ph. . . . .	20-3282-3
	b. 208-230V/60 Hz/1 Ph . . . . .	20-3289-3
	c. 208-230V/50 Hz/1 Ph . . . . .	20-3283-3
8	Refrigeration Service Valve . . . . .	83-7326-3
9	High Pressure Cut-out . . . . .	23-5541-3

### Miscellaneous – Brackets, Screws, etc.

10	Capacitor Bracket . . . . .	603313-1
11	Control Box . . . . .	605105-1
12	Control Box Cover (Not shown) . . . . .	76-2805-3
13	P.T.C.R. Compressor Starter Mounting Bracket . . . . .	85-0502-3
14	Control Board Mounting Supports . . . . .	43-0225-3
15	Screw, #10-24 x .50 Ground. . . . .	† 52-0216-9
16	Screw, #10-24 x .50 Hex Head. . . . .	† 52-0206-9

† Refer to Cross Reference Guide

## Q280 EVAPORATOR COMPARTMENT



### DESCRIPTION

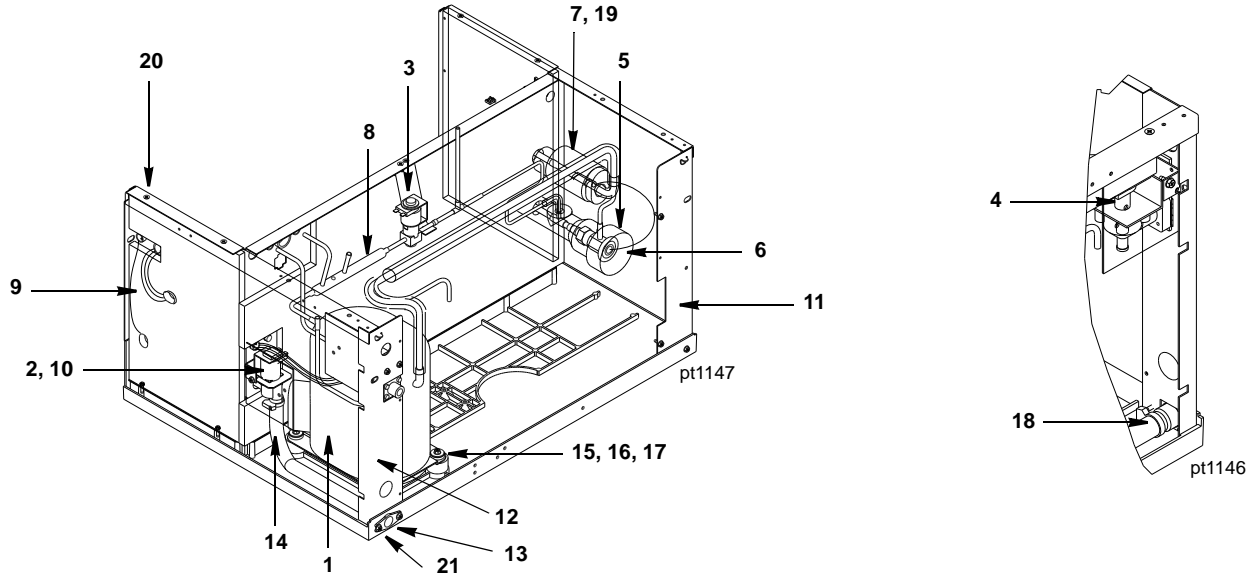
		PART NO.
1	<b>Evaporator Assembly</b>	
	a. Regular Cube . . . . .	† 76-2585-9
	b. Dice Cube . . . . .	† 76-2584-9
	c. Half Dice Cube . . . . .	† 76-2658-9
2	<b>Water Pump</b>	
	a. 115V/60 Hz . . . . .	† 76-2306-3
	b. 208-230V/60 Hz or 230V/50 Hz . . . . .	† 76-2601-3
3	Water Level Probe . . . . .	25-1129-3
4	Ice Thickness Control Probe . . . . .	† 76-2781-3
5	Magnetic Bin Switch (Mounted to Evaporator) . . . . .	† 23-0148-3
6	Water Flow Clamp (Use on Regular Cube Evap. Only) . . . . .	76-2054-3
7	Water Curtain . . . . .	40-0478-3
	a. Water Curtain Magnet and Clip . . . . .	† 76-2802-3
	b. Water Curtain Pin Assembly . . . . .	76-2776-3
8	Water Distribution Tube . . . . .	† 76-2498-3
9	Water Trough Drain Plug . . . . .	† 43-0062-9
10	Water Inlet Flow Tube . . . . .	43-0388-3

### Miscellaneous – Brackets, Screws, etc.

11	Nylon Spring Clip . . . . .	† 56-5090-9
12	Water Inlet Tubing .375 ID . . . . .	44-2123-3
13	Tubing (Water Pump Out) . . . . .	44-2113-3
14	Screw, #8-32 x .63 Nylon Water Distribution Tube Mounting . . . . .	† 50-0001-3
15	Screw, #10-24 x .50 . . . . .	† 52-0206-9
16	Screw, #10-24 x .750 – Used to Mount Evaporator . . . . .	† 52-0218-9
17	Base and Water Trough Repair Kit . . . . .	† 76-2806-3
18	Evaporator Top Molding and Gasket Assembly . . . . .	76-2621-3

† Refer to Cross Reference Guide

# Q280 REFRIGERATION COMPARTMENT – COMMON PARTS

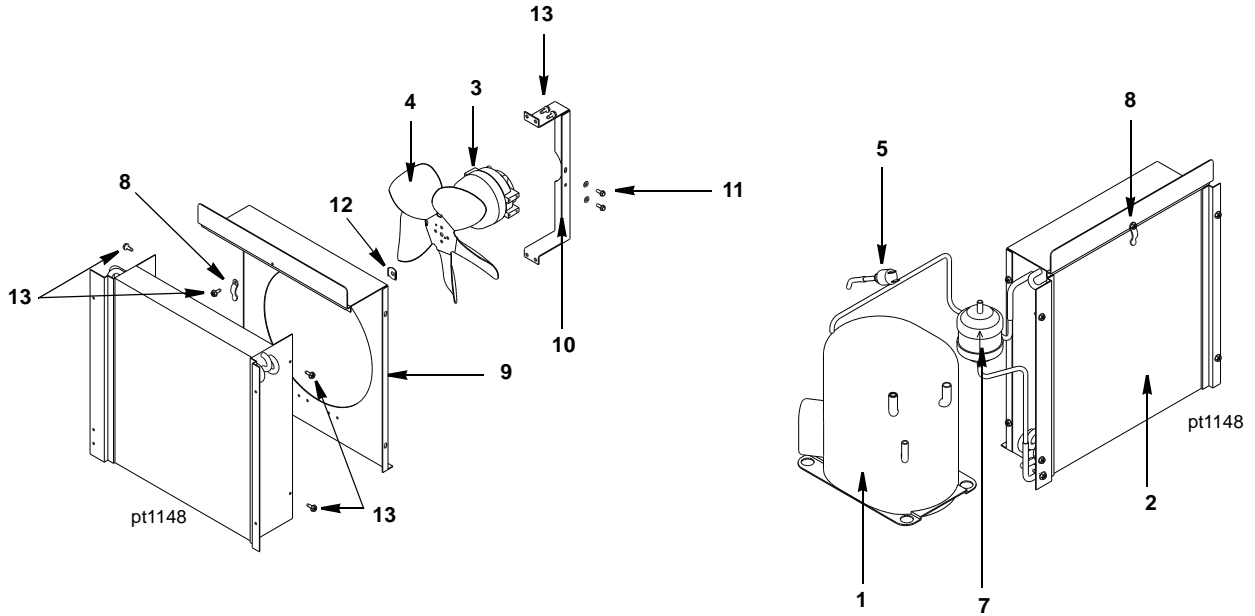


## DESCRIPTION

		<b>PART NO.</b>
<b>1 Compressor</b>		
a.	115V/60 Hz/1 Ph (Tecumseh) . . . . .	† 76-2936-3
	Overload for 115V/60 Hz/1 Ph Compressor (Tecumseh) . . . . .	85-0573-3
b.	115V/60 Hz/1 Ph (Danfoss) . . . . .	76-0136-3
	Overload for Compressor . . . . .	82-5140-3
	Starting Device (Danfoss) . . . . .	20-0205-3
	Start Capacitor (Danfoss) . . . . .	85-0577-3
c.	208/230V 60 Hz/1 Ph (Tecumseh) . . . . .	† 76-2937-3
	Overload for 208/230V/60 Hz/1 Ph Compressor . . . . .	85-0574-3
d.	208/230V 60 Hz/1 Ph (Danfoss) . . . . .	76-0137-3
	Starting Device (Danfoss) . . . . .	20-0210-3
	Start Capacitor (Danfoss) . . . . .	85-0372-3
e.	230V/50 Hz/1 Ph Compressor (Tecumseh) . . . . .	† 76-2938-3
	Overload for 230V/50 Hz/1 Ph Compressor . . . . .	85-0575-3
f.	230V/50 Hz/1 Ph Compressor (Danfoss) . . . . .	76-0137-3
	Starting Device (Danfoss) . . . . .	20-0210-3
	Start Capacitor (Danfoss) . . . . .	85-0372-3
<b>2 Water Dump Valve</b>		
a.	Dump Valve, 115V . . . . .	000001767
b.	Dump Valve, 208/230V 50/60 Hz . . . . .	000001768
c.	Dump Valve Rebuild Kit . . . . .	No Longer Available
<b>3 Hot Gas Valve</b>		
a.	Hot Gas Valve Including 115V 60 Hz Electrical Coil (Danfoss) . . . . .	† 76-3001-1
b.	Hot Gas Valve 115V Coil Only Danfoss . . . . .	000002048
c.	Hot Gas Valve 115V Coil Only Alco . . . . .	24-0436-3
d.	Hot Gas Valve Including 208/230V 50/60 Hz Electrical Coil (Danfoss) . . . . .	† 76-3007-1
e.	Hot Gas Valve 208/230V 50/60 Hz Coil Only Danfoss . . . . .	000002049
f.	Hot Gas Valve 208/230V 50/60 Hz Coil Only Alco . . . . .	† 24-0448-3
<b>4 Water Inlet Valve</b>		
a.	Water Inlet Valve Including 115V Coil . . . . .	76-0112-3
b.	Water Inlet Valve Including 208/230V 50/60 Hz Coil . . . . .	76-0113-3
<b>5 Expansion Valve</b>		† 76-0018-3
<b>6 Expansion Valve Body Insulation Boot</b>		
a.	Alco . . . . .	40-0721-3
b.	Danfoss . . . . .	40-0036-3
<b>7 Expansion Valve Bulb Insulation Boot</b>		40-0720-3
<b>8 Manifold Strainer (in front of hot gas valve)</b>		83-1023-3
<b>9 Water Pump Electrical Wire Lead</b>		20-7720-3
<b>Miscellaneous – Brackets, Screws, etc.</b>		
<b>10 Dump Valve Mounting Bracket</b>		602354-1
<b>11 Left Corner Post Weldment</b>		602177-1
<b>12 Right Corner Post Weldment</b>		602176-1
<b>13 Water Drain Female Wing Adapter</b>		87-0608-3
<b>14 Water Drain Vinyl Tubing, .625 ID</b>		† 44-2038-3
<b>15 Compressor Mounting Rubber Grommet</b>		† 85-0306-9
<b>16 Compressor Mounting Washer</b>		† 55-7341-9
<b>17 Compressor Mounting Screw</b>		† 50-1230-9
<b>18 Clamp, Water Drain</b>		† 56-5070-9
<b>19 Clamp, Expansion Valve Bulb</b>		† 56-5052-9
<b>20 Screw, #10-24 x .50</b>		† 52-0209-9
<b>21 Screw, #10-24 x .75</b>		† 52-0218-9
<b>22 Terminal Block (50 Hz only)</b>		20-0614-3

† Refer to Cross Reference Guide

## Q280 REFRIGERATION COMPARTMENT – AIR-COOLED



### DESCRIPTION

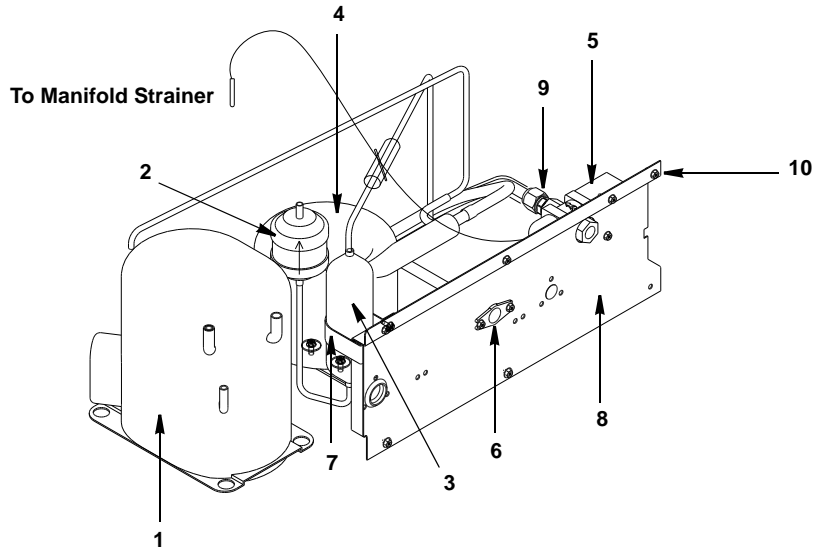
	<b>PART NO.</b>
1 Compressor (Refer to COMMON PARTS Page) .....	Page 4
2 Air Condenser .....	88-5130-3
3 <b>Fan Motor</b>	
a. 115V .....	† 24-1281-3
b. 208-230V/60 Hz or 230V/50 Hz .....	† 24-1282-3
4 Fan Blade .....	24-1622-3
5 Fan Cycling Control .....	† 20-0126-3
6 Air Filter (Not shown) .....	40-4019-3
7 Drier .....	† 89-3025-9

### Miscellaneous – Brackets, Screws, etc.

8 Air Filter Clip .....	† 56-5069-9
9 Fan Shroud .....	603160-1
10 Fan Motor Mounting Bracket .....	688781-4
11 Screw, 8-36 x 7/16 .....	† 50-2559-9
12 Speed Nut to Mount Fan Blade .....	† 54-7507-9
13 Screw, #10-24 x .50 .....	† 52-0206-9

† Refer to Cross Reference Guide

# Q280 REFRIGERATION COMPARTMENT – WATER-COOLED



pt1145

## DESCRIPTION

1	Compressor (Refer to COMMON PARTS Page) . . . . .
2	Drier . . . . .
3	Receiver . . . . .
4	Water-cooled Condenser . . . . .
5	Water Regulating Valve . . . . .
6	Water Drain Female Wing Adapter. . . . .

## PART NO.

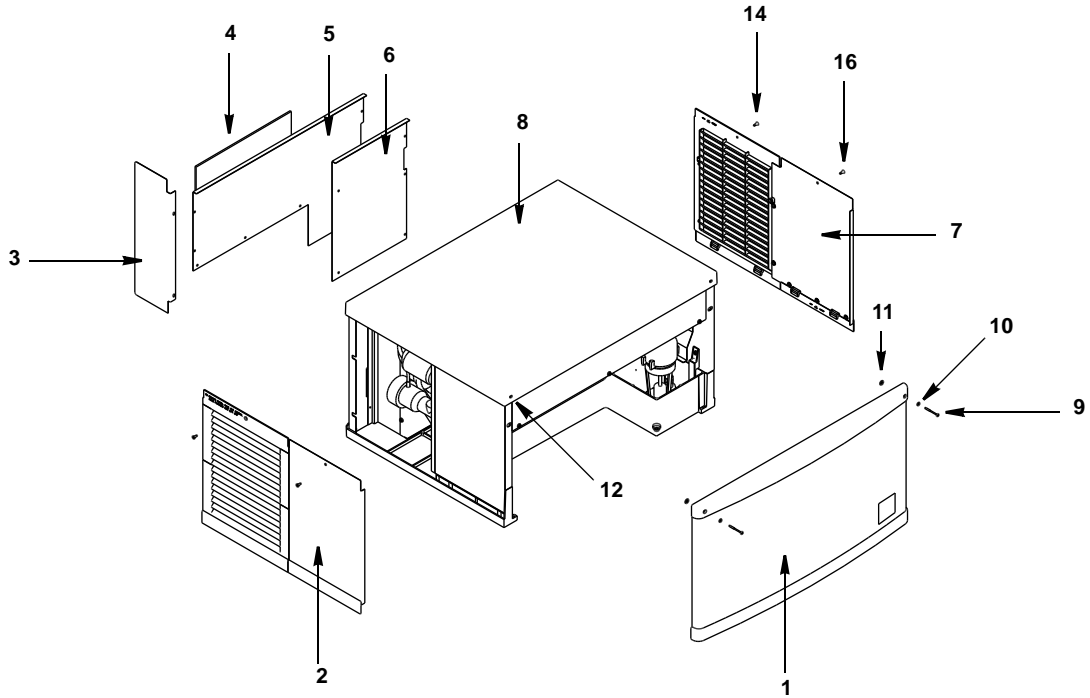
Page 4
† 89-3025-9
12-0003-1
† 88-6531-3
† 83-7206-9
87-0608-3

## Miscellaneous – Brackets, Screws, etc.

7	Receiver Strap . . . . .
8	Back Panel . . . . .
9	Water Coupling. . . . .
10	Screw, #10-24 x .50 . . . . .

600054-1
601906-1
83-3202-3
† 52-0206-9

## Q280 PANELS



pt1144

### DESCRIPTION

	<b>PART NO.</b>
1 Front Panel Assembly.....	76-2807-3
2 Left Side Panel.....	† 76-2808-3
3 Air Baffle.....	602374-1
4 Air Filter.....	40-4019-3
5 Back Panel, Water.....	602434-1
6 Back Panel, Air.....	602433-1
7 Right Side Panel.....	† 76-2809-3
8 Top Cover.....	43-0331-3

### Miscellaneous – Brackets, Screws, etc.

9 Front Cover Screw.....	† 51-1901-9
10 Front Cover Washer.....	† 55-7338-9
11 Front Cover Screw Retainer.....	† 56-4827-9
12 Speed Nut Assembly to Mount Front Cover.....	† 54-7303-9
13 Front Cover Screw Assembly (Includes 2 of each #9, #10, #11, #12).....	76-2898-3
14 Screw, #10-24 x .50 Flat.....	† 52-0209-9
15 Extruded Tape (Not shown).....	† 92-0250-9
16 Screw 10-24 x 3/8".....	† 50-2350-9

† Refer to Cross Reference Guide

**INTENTIONALLY LEFT BLANK**