



**Ice Machine Parts List for  
Series Q600C Models**

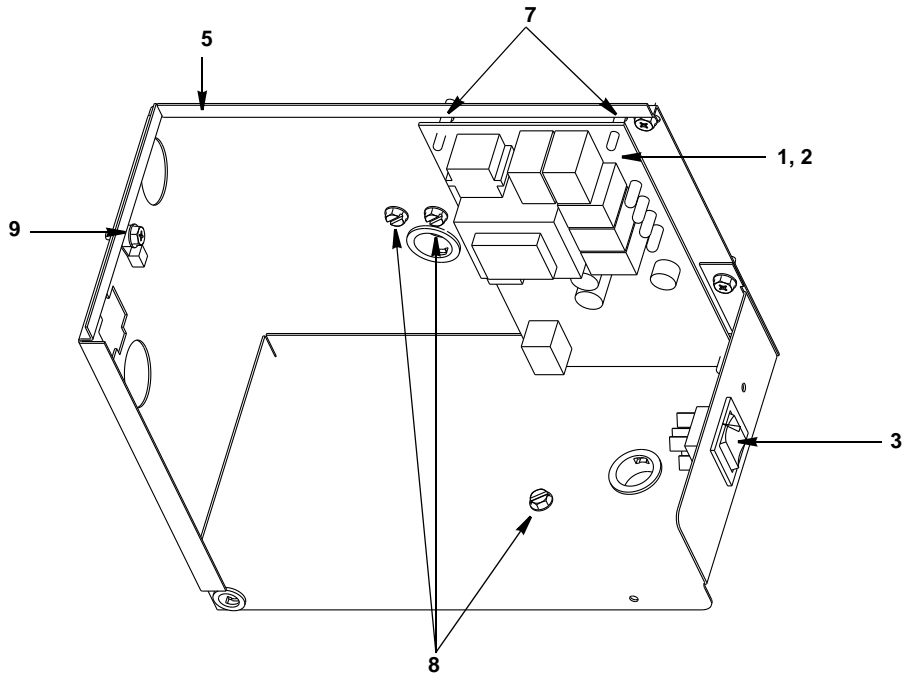
**QR670C**

**QY674C**

**QD672C**

**CVD675**

## Q600C CONTROL BOX



pt1298

### DESCRIPTION

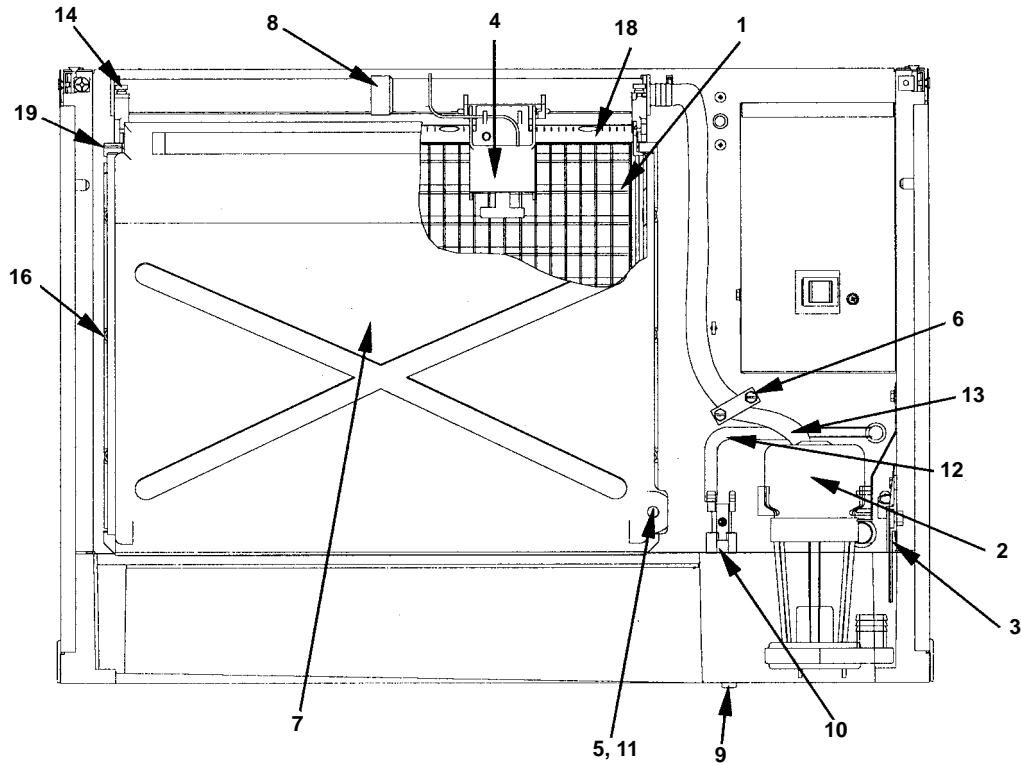
DESCRIPTION	PART NO.
1 Control Board (for use with all voltages) . . . . .	† 76-2782-3
2 7 Amp Fuse – Mounted on Control Board . . . . .	25-1100-3
3 <b>Toggle Switch</b> Only . . . . .	23-0134-3
a. Toggle Switch with Wiring Harness Attached . . . . .	20-3217-3
4 <b>Wiring Harness</b> (Not shown)	
a. 115V/60 Hz/1 Ph . . . . .	20-3306-3
b. 230V/50 Hz/1 Ph . . . . .	20-3319-3

### Miscellaneous – Screws, Supports, Etc.

5 Control Box . . . . .	602559-1
6 Control Box Cover (Not shown) . . . . .	† 76-2852-3
7 Control Board Mounting Supports . . . . .	43-0225-3
8 Screw, #10-24 x .50 Ground . . . . .	† 52-0216-9
9 Screw, #10-24 x .50 . . . . .	† 52-0206-9

† Refer to Cross Reference Guide

# Q600C EVAPORATOR COMPARTMENT



sv1605

## DESCRIPTION

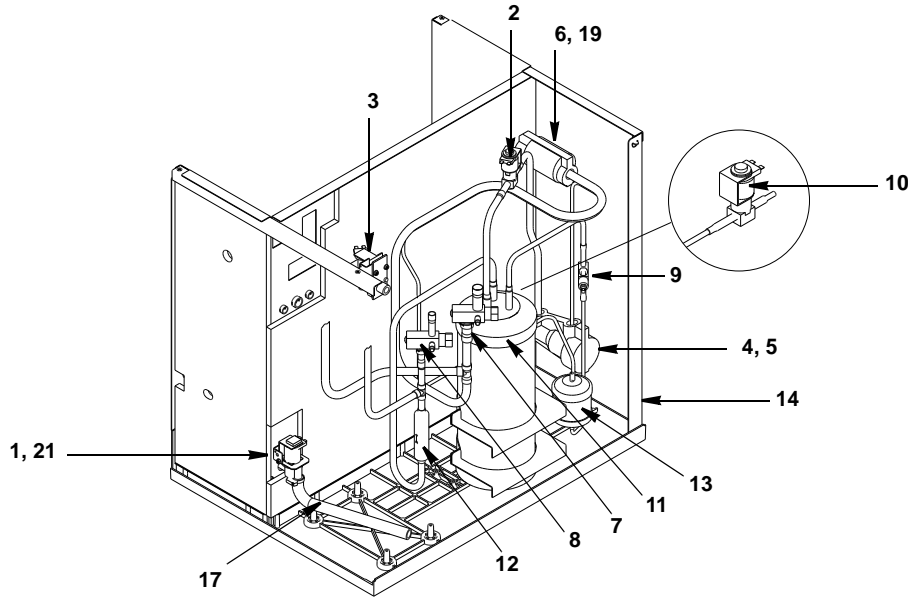
	<b>PART NO.</b>
<b>1 Evaporator Assembly</b>	
a. Regular Cube .....	† 76-2512-9
b. Dice Cube .....	† 76-2511-9
c. Half Dice Cube .....	† 76-2510-9
<b>2 Water Pump</b>	
a. 115V/60 Hz .....	† 76-2306-3
b. 208-230V/50-60 Hz .....	† 76-2601-3
<b>3 Water Level Probe</b> .....	25-1129-3
<b>4 Ice Thickness Control Probe</b> .....	† 76-2781-3
<b>5 Magnetic Bin Switch (Mounted to Evaporator)</b> .....	† 23-0148-3
<b>6 Water Flow Clamp (Used on Regular Cube Evaporator Only)</b> .....	76-2054-3
<b>7 Water Curtain</b> .....	43-0464-3
<b>8 Water Distribution Tube</b> .....	† 76-2498-3
<b>9 Water Trough Drain Plug</b> .....	† 43-0062-9
<b>10 Water Inlet Flow Tube</b> .....	43-0388-3

## Miscellaneous – Brackets, Screws, etc.

<b>11 Water Curtain Magnet with Attachment Clip</b> .....	† 76-2802-3
<b>12 Water Inlet Tubing .375 ID</b> .....	44-2111-3
<b>13 Tubing (Water Pump Out)</b> .....	44-2109-3
<b>14 Screw, #8-32 x .63 Nylon Water Distribution Tube Mounting</b> .....	† 50-0001-3
<b>15 Screw, #10-24 x .50 (Water Pump Mounting – Not shown)</b> .....	† 52-0206-9
<b>16 Screw, #10-24 x .750 Used to Mount Evaporator</b> .....	† 52-0218-9
<b>17 Base and Water Trough Repair Kit (Not shown)</b> .....	† 76-2806-3
<b>18 Evaporator Top Molding and Gasket Assembly</b> .....	76-2621-3
<b>19 Water Curtain Pin Assembly</b> .....	76-2776-3

† Refer to Cross Reference Guide

# Q600C REFRIGERATION COMPARTMENT



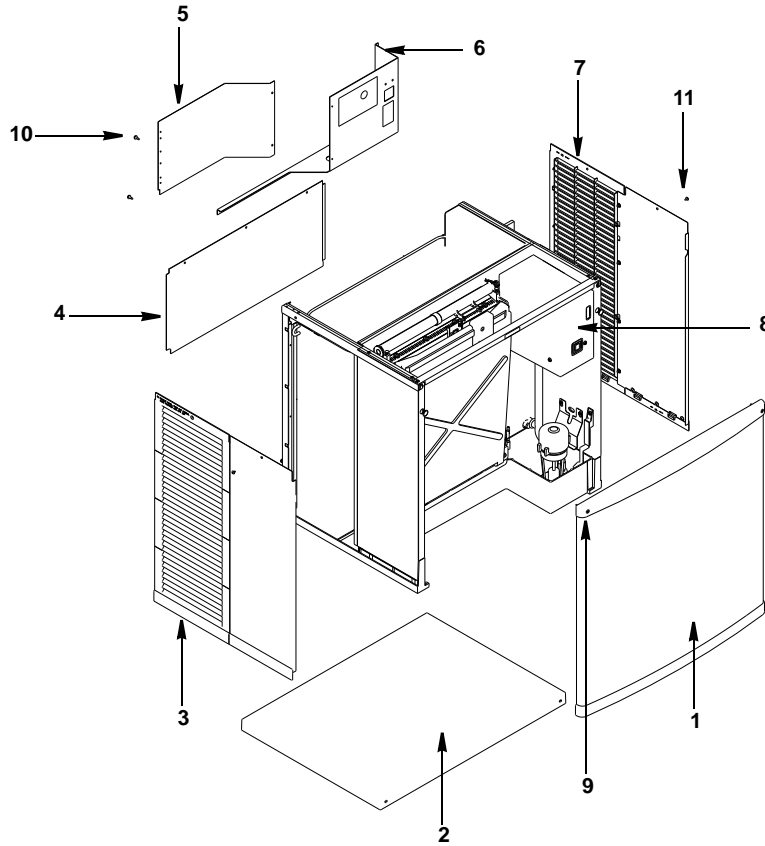
sv1754

## DESCRIPTION

		PART NO.
1	<b>Water Dump Valve</b>	
	a. 115V/60 Hz .....	000001767
	b. 208/230V/50-60 Hz .....	000001768
	c. Dump Valve Rebuild Kit .....	No Longer Available
2	<b>Cool Vapor Valve</b>	
	a. Solenoid Valve Including 115V/60 Hz Electrical Coil (Danfoss) .....	† 76-3005-1
	b. 115V/60 Hz Electrical Coil Only Danfoss .....	000002048
	c. 115V/60 Hz Electrical Coil Only Alco .....	24-0436-3
	d. Solenoid Valve Including 208/230V 50 Hz Electrical Coil (Danfoss) .....	† 76-3011-1
	e. 208-230V/50 Hz Electrical Coil Only Danfoss .....	000002049
	f. 208-230V/50 Hz Electrical Coil Only Alco .....	† 24-0448-3
3	<b>Water Inlet Valve</b>	
	a. Water Inlet Valve Including 115V/60 Hz Coil .....	76-0112-3
	b. Water Inlet Valve Including 208/230V 50/60 Hz Electrical Coil .....	76-0113-3
4	Expansion Valve .....	† 76-0021-3
5	Expansion Valve Body Insulation Boot	
	a. Alco .....	40-0721-3
	b. Danfoss .....	40-0036-3
6	Expansion Valve Bulb Insulation Boot .....	40-0720-3
7	<b>Manual Shut-off Valve Suction Line</b> .....	83-7330-3
	a. Valve Cap .....	83-7302-3
	b. Insulation Boot .....	40-0740-3
8	<b>Manual Shut-off Valve Liquid Line</b> .....	83-7329-3
	a. Valve Cap .....	83-7302-3
9	<b>Receiver Service Valve</b> .....	† 83-7316-9
	a. Valve Cap .....	56-5075-3
10	<b>Liquid Line Solenoid Valve</b>	
	a. Liquid Line Solenoid Valve Including 115V/60 Hz Coil (Danfoss) .....	† 76-3001-1
	b. 115V/60 Hz Coil Only Danfoss .....	000002048
	c. 115V/60 Hz Coil Only Alco .....	24-0436-3
	d. Liquid Line Solenoid Valve Including 208/230V 50/60 Hz Electrical Coil (Danfoss) .....	† 76-3007-1
	e. 208/230V 50/60 Hz Coil Only Danfoss .....	000002049
	f. 208/230V 50/60 Hz Coil Only Alco .....	† 24-0448-3
11	Receiver .....	† 76-2959-3
12	Check Valve .....	† 83-7314-9
13	Drier .....	† 89-3027-9
	<b>Miscellaneous – Brackets, Screws, etc.</b>	
14	Left Corner Post .....	601951-1
15	Right Corner Post (Not Shown) .....	601950-1
16	Water Drain Female Wing Adapter (Not shown) .....	87-0608-3
17	Water Drain Vinyl Tubing, .625 ID .....	† 44-2038-3
18	Clamp, Water Drain (Not shown) .....	† 56-5070-9
19	Clamp, Expansion Valve Bulb .....	† 56-5052-9
20	Screw, #10-24 x .50 (Used on Female Wing Adapter – Not shown) .....	† 52-0206-9
21	Dump Valve Shield .....	† 70-0062-3

† Refer to Cross Reference Guide

## Q600C HEAD SECTION PANELS



pt1287

### DESCRIPTION

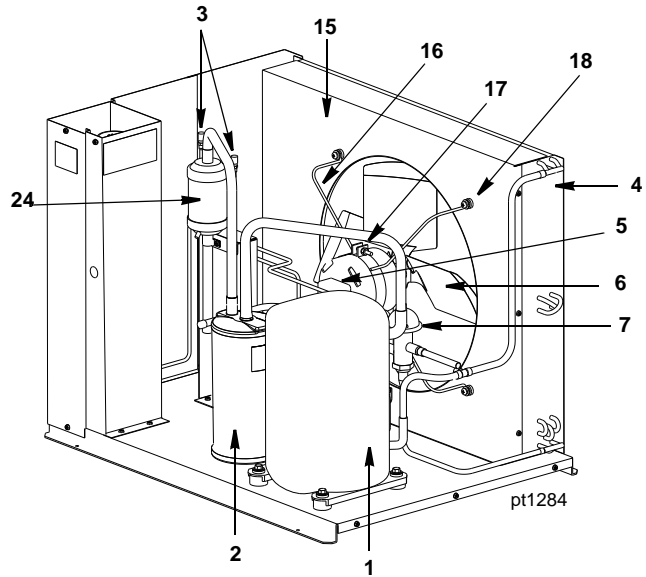
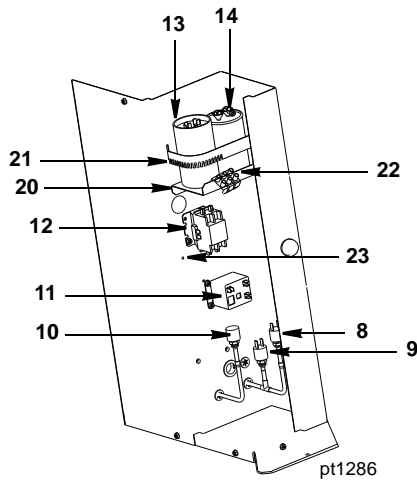
	<b>PART NO.</b>
1 Front Cover .....	76-2853-3
2 Cover Top .....	43-0331-3
3 Left Side Panel .....	† 76-2830-3
4 Back Panel .....	603816-1
5 Service Valve Back Panel .....	603997-1
6 Service Valve Panel .....	603995-1
7 Right Side Panel .....	† 76-2831-3
8 Control Box Cover .....	† 76-2852-3

### Miscellaneous – Brackets, Screws, etc.

9 Front Panel Screw .....	† 51-1901-9
a. Washer .....	† 55-7338-9
b. Front Cover Screw Retainer (O-Ring) .....	56-4827-9
c. Speed Nut Assembly to Mount Front Cover .....	† 54-7303-9
10 Screw, #10-24 x .50 Hex (Mounts Rear Panels) .....	† 52-0206-9
11 Screw, #10-24 x .375 Phillips (Mounts Side Panels) .....	† 50-2350-9

† Refer to Cross Reference Guide

# CVD675 CONDENSING UNIT

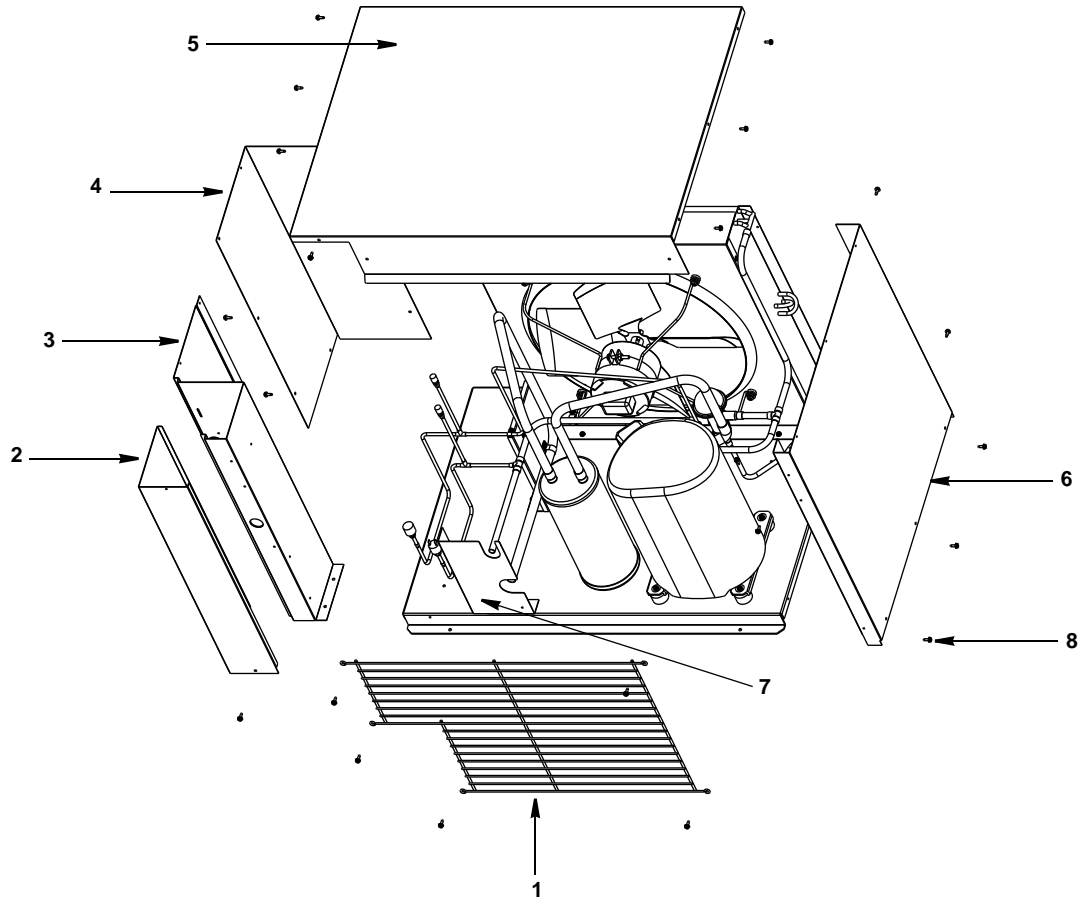


## DESCRIPTION

			<b>PART NO.</b>
1	<b>Compressor</b>		
	a. 208-230V/60 Hz/1 Ph . . . . .	†	76-0005-3
	b. 208-230V/60 Hz/3 Ph . . . . .	†	76-0006-3
	c. 208-230V/50 Hz /1 Ph . . . . .	†	76-0007-3
2	Suction Accumulator . . . . .		89-0058-3
3	Access Valve . . . . .		83-7325-3
4	Air-Cooled Condenser . . . . .		88-5144-3
5	Fan Motor		
	a. 208-230V/60 Hz/1 Ph (or 3 Ph) . . . . .	†	20-0018-9
	b. 208-230V/50 Hz/1 Ph . . . . .	†	20-0058-3
6	Fan Blade . . . . .		24-1630-3
7	Head Pressure Control Valve . . . . .		83-6809-3
8	Fan Cycling Control . . . . .	†	20-0126-3
9	High Pressure Cut-Out Control . . . . .	†	20-0124-3
10	Low Pressure Cut-Out Control . . . . .		20-0222-9
11	Start Relay 60 Hz/1 Ph . . . . .		20-0753-9
	a. 50 Hz/1 Ph . . . . .		20-0754-9
12	Contactors 50/60 Hz/1 Ph . . . . .		20-0660-9
	a. 60 Hz/3 Ph . . . . .	†	20-0661-9
13	Start Capacitor 60 Hz/1 Ph . . . . .	†	85-0385-3
	a. 50 Hz/1 Ph . . . . .		85-0551-3
14	Run Capacitor 50-60 Hz/1 Ph . . . . .		85-0393-3
<b>Miscellaneous – Brackets, Screws, etc.</b>			
15	Fan Shroud . . . . .		603704-1
16	Fan Motor Mounting Bracket . . . . .		30-0682-3
17	Fan Motor Mounting Screw . . . . .	†	50-3358-9
	a. Fan Motor Mounting Lockwasher . . . . .	†	55-4511-9
	b. Fan Motor Mounting Hexnut . . . . .	†	54-2952-9
18	Fan Bracket Mounting Screw . . . . .	†	50-3358-9
	a. Fan Bracket Mounting Lockwasher . . . . .	†	55-4511-9
	b. Fan Bracket Mounting Flatwasher . . . . .	†	55-7305-9
	c. Fan Bracket Mounting Rubber Wellnut . . . . .	†	54-2955-9
19	Screw, #10-24 x .50 (Used for Panel Attachment – Not shown) . . . . .	†	52-0206-9
20	Capacitor Mounting Bracket . . . . .		603498-1
21	Capacitor Mounting Strap . . . . .		602160-1
22	Terminal Block (50 Hz Only) . . . . .		20-0614-3
23	Ground Screw . . . . .	†	52-0216-9
24	Suction Filter . . . . .	†	82-5053-9

† Refer to Cross Reference Guide

# CVD675 CONDENSING UNIT PANELS



pt1287

**DESCRIPTION**

DESCRIPTION	PART NO.
1 Condenser Fan Guard .....	34-0689-3
2 Control Box Cover .....	† 604017-1
3 Control Box Panel .....	603707-1
4 Left Side Panel .....	603705-1
5 Cover Top .....	603475-1
6 Right Side Panel .....	603470-1
7 Bracket .....	† 604226-1

**Miscellaneous – Brackets, Screws, etc.**

8 Screw, #10-24 x .50 Hex .....	† 52-0206-9
---------------------------------	-------------

† Refer to Cross Reference Guide

**INTENTIONALLY LEFT BLANK**