



## **Ice Machine Parts List for Series Q800 Models**

**QR0800A**

**QD0892N**

**QR0801W**

**QY0804A**

**QR0890N**

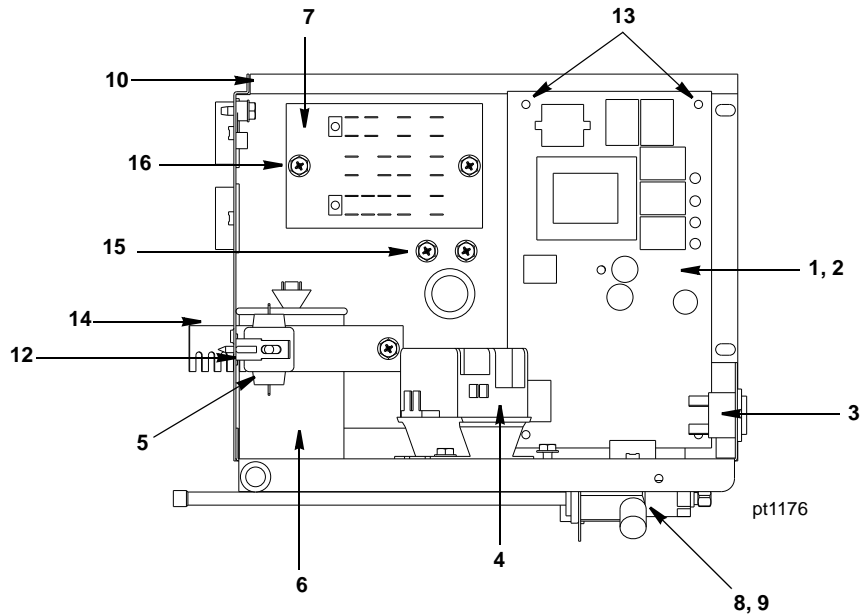
**QY0805W**

**QD0802A**

**QY0894N**

**QD0803W**

## Q800 CONTROL BOX

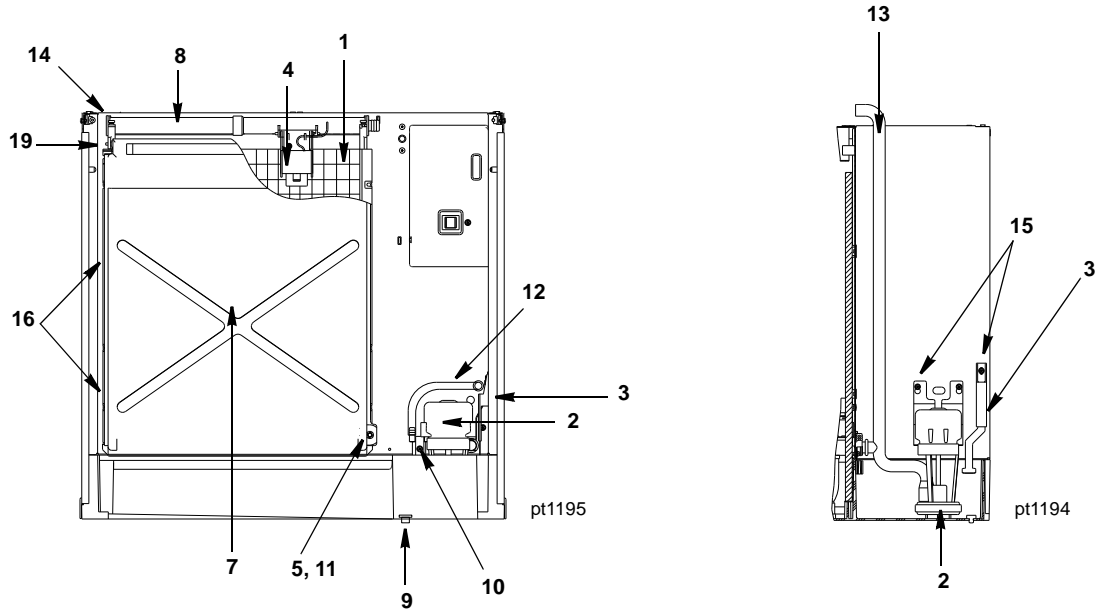


### DESCRIPTION

	<b>PART NO.</b>
1 Control Board (for use with all voltages) . . . . .	† 76-2782-3
2 7 Amp Fuse – Mounted on Control Board . . . . .	25-1100-3
3 <b>Toggle Switch Only</b> . . . . .	23-0134-3
a. Toggle Switch with Wiring Harness Attached . . . . .	20-3217-3
4 <b>Contactor</b>	
a. 208-230V/60 Hz/1 Ph or 230V/50 Hz/1 Ph . . . . .	† 20-0659-9
b. 208-230V/60 Hz/3 Ph . . . . .	20-0116-3
5 P.T.C.R. Compressor Starter. . . . .	85-0499-3
6 Compressor Run Capacitor – Used with Compressors P/N 76-2815-3 and P/N 76-2817-3 . . . . .	† 20-1013-3
7 <b>Terminal Board with Wire Harness Attached</b>	
a. 208-230V/60 Hz/1 Ph . . . . .	20-3229-3
b. 208-230V/60 Hz/3 Ph . . . . .	20-3231-3
c. 230V/50 Hz/1 Ph . . . . .	20-3230-3
8 Refrigeration Service Valve Assembly . . . . .	83-7326-3
<b>Miscellaneous – Brackets, Screws, etc.</b>	
9 Locknut Used to Mount Refrigeration Service Valves. . . . .	† 54-7503-9
10 Control Box. . . . .	602559-1
11 Control Box Cover (Not shown) . . . . .	† 76-2852-3
12 P.T.C.R. Compressor Starter Mounting Bracket . . . . .	85-0501-3
13 Control Board Mounting Supports . . . . .	43-0225-3
14 Capacitor Mounting Strap . . . . .	602495-1
15 Screw, #10-24 x .50 Ground. . . . .	† 52-0216-9
16 Screw, #10-24 x .50 . . . . .	† 52-0206-9

† Refer to Cross Reference Guide

## Q800 EVAPORATOR COMPARTMENT

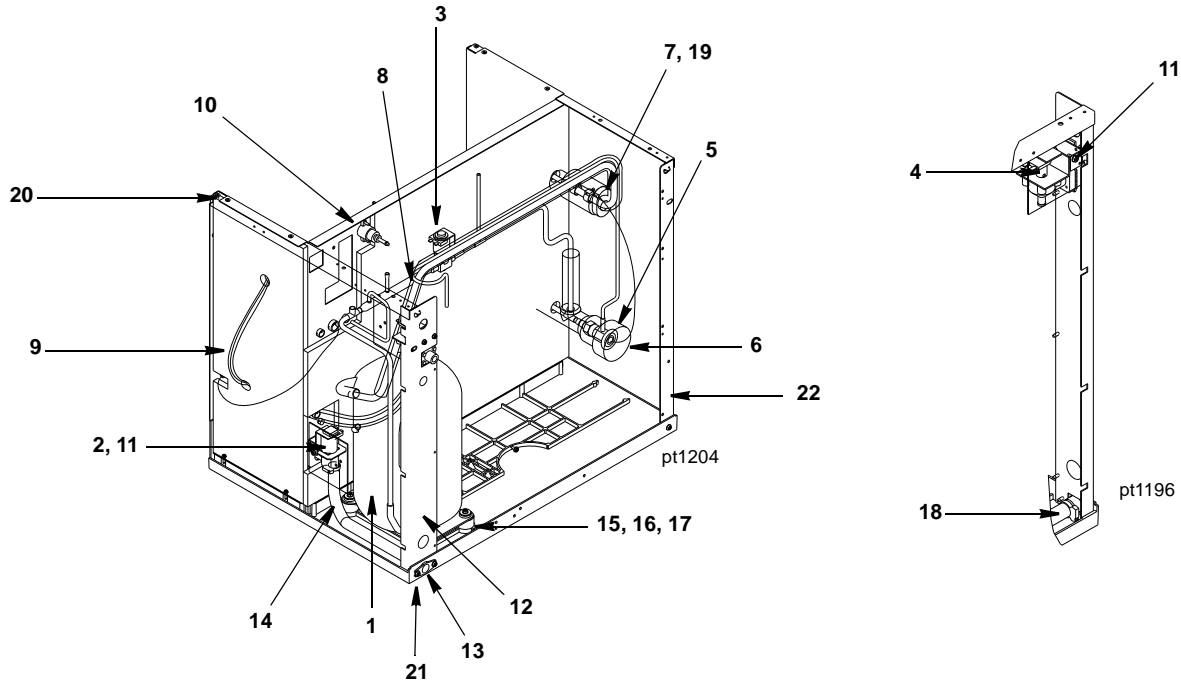


### DESCRIPTION

		<b>PART NO.</b>
<b>1</b>	<b>Evaporator Assembly</b>	
a.	Regular Cube .....	† 76-2473-9
b.	Dice Cube .....	† 76-2472-9
c.	Half Dice Cube .....	† 76-2471-9
<b>2</b>	<b>Water Pump</b>	
a.	208-230V/60 Hz .....	† 76-2601-3
b.	230V/50 Hz .....	† 14-8027-9
<b>3</b>	Water Level Probe .....	25-1129-3
<b>4</b>	Ice Thickness Control Probe .....	† 76-2781-3
<b>5</b>	Magnetic Bin Switch (Mounted to Evaporator) .....	† 23-0148-3
<b>6</b>	Water Flow Clamp – Use on Regular Cube Evap. Only (Not shown) .....	76-2054-3
<b>7</b>	Water Curtain .....	40-0851-3
<b>8</b>	Water Distribution Tube .....	† 76-2498-3
<b>9</b>	Water Trough Drain Plug .....	† 43-0062-9
<b>10</b>	Water Inlet Flow Tube .....	43-0388-3
<b>Miscellaneous – Brackets, Screws, etc.</b>		
<b>11</b>	Water Curtain Magnet with Attachment Clip .....	† 76-2802-3
<b>12</b>	Water Inlet Tubing .375 ID .....	44-2124-3
<b>13</b>	Tubing (Water Pump Out) .....	44-2114-3
<b>14</b>	Screw, #8-32 x .63 Nylon Water Distribution Tube Mounting .....	† 50-0001-3
<b>15</b>	Screw, #10-24 x .50 .....	† 52-0206-9
<b>16</b>	Screw, #10-24 x .750 – Used to Mount Evaporator .....	† 52-0218-9
<b>17</b>	Base and Water Trough Repair Kit (Not shown) .....	† 76-2806-3
<b>18</b>	Evaporator Top Molding and Gasket Assembly (Not shown) .....	76-2621-3
<b>19</b>	Water Curtain Pin Assembly .....	76-2776-3

† Refer to Cross Reference Guide

# Q800 REFRIGERATION COMPARTMENT – COMMON PARTS

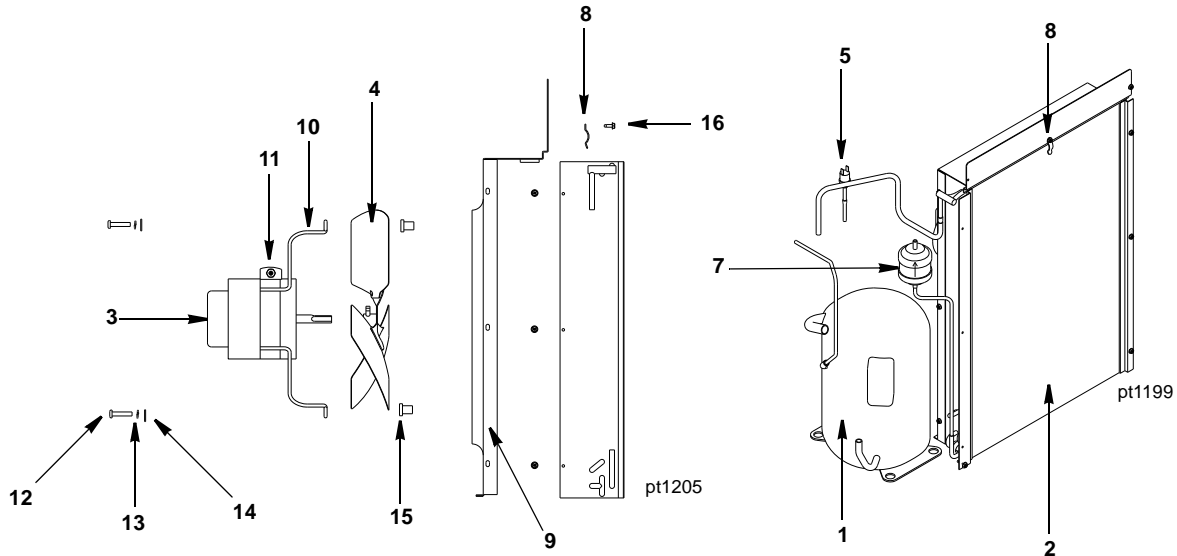


## DESCRIPTION

	PART NO.
<b>1 Compressor</b>	
a. 208/230V/60 Hz/1 Ph . . . . .	† 76-2815-3
b. 208/230V/60 Hz/3 Ph . . . . .	† 76-2816-3
c. 230V/50 Hz/1 Ph . . . . .	† 76-2817-3
<b>2 Water Dump Valve</b>	
a. Dump Valve, 208/230V 50/60 Hz . . . . .	00001768
b. Dump Valve Rebuild Kit . . . . .	No Longer Available
<b>3 Hot Gas Valve</b>	
a. Hot Gas Valve Including 208/230V 50/60 Hz Electrical Coil (Danfoss) . . . . .	† 76-3011-1
b. Hot Gas Valve 208/230V 50/60 Hz Coil Only Danfoss . . . . .	00002049
c. Hot Gas Valve 208/230V 50/60 Hz Coil Only Alco . . . . .	† 24-0448-3
<b>4 Water Inlet Valve</b>	
a. Water Inlet Valve Including 208/230V 50/60 Hz Coil . . . . .	76-0113-3
<b>5 Expansion Valve</b> . . . . .	† 76-0021-3
<b>6 Expansion Valve Body Insulation Boot</b>	
a. Alco . . . . .	40-0721-3
b. Danfoss . . . . .	40-0036-3
<b>7 Expansion Valve Bulb Insulation Boot</b> . . . . .	40-0720-3
<b>8 Manifold Strainer - 3 Hole (in front of hot gas valve)</b> . . . . .	83-1015-3
a. Manifold Strainer 4 Hole (in front of hot gas vavle). . . . .	82-5096-3
<b>9 Water Pump Electrical Wire Lead</b> . . . . .	† 20-7810-3
<b>10 High Pressure Cut-out (Manual Reset)</b> . . . . .	† 23-5536-9
<b>10 High Pressure Cut-out (Auto Reset)</b> . . . . .	† 20-0124-3
<b>Miscellaneous – Brackets, Screws, etc.</b>	
<b>11 Dump Valve/Water Inlet Valve Mounting Bracket</b> . . . . .	602354-1
<b>12 Right Corner Post Weldment</b> . . . . .	601953-1
<b>13 Water Drain Female Wing Adapter</b> . . . . .	87-0608-3
<b>14 Water Drain Vinyl Tubing, .625 ID</b> . . . . .	† 44-2038-3
<b>15 Compressor Mounting Rubber Grommet</b> . . . . .	† 85-0306-9
<b>16 Compressor Mounting Washer</b> . . . . .	† 55-7341-9
<b>17 Compressor Mounting Screw</b> . . . . .	† 50-1230-9
<b>18 Clamp, Water Drain</b> . . . . .	† 56-5070-9
<b>19 Clamp, Expansion Valve Bulb</b> . . . . .	† 56-5052-9
<b>20 Screw, #10-24 x .50</b> . . . . .	† 52-0209-9
<b>21 Screw, #10-24 x .75</b> . . . . .	† 52-0218-9
<b>22 Left Corner Post Weldment</b> . . . . .	601954-1
<b>23 Terminal Block (50 Hz only)</b> . . . . .	20-0614-3

† Refer to Cross Reference Guide

## Q800 REFRIGERATION COMPARTMENT – AIR-COOLED



### DESCRIPTION

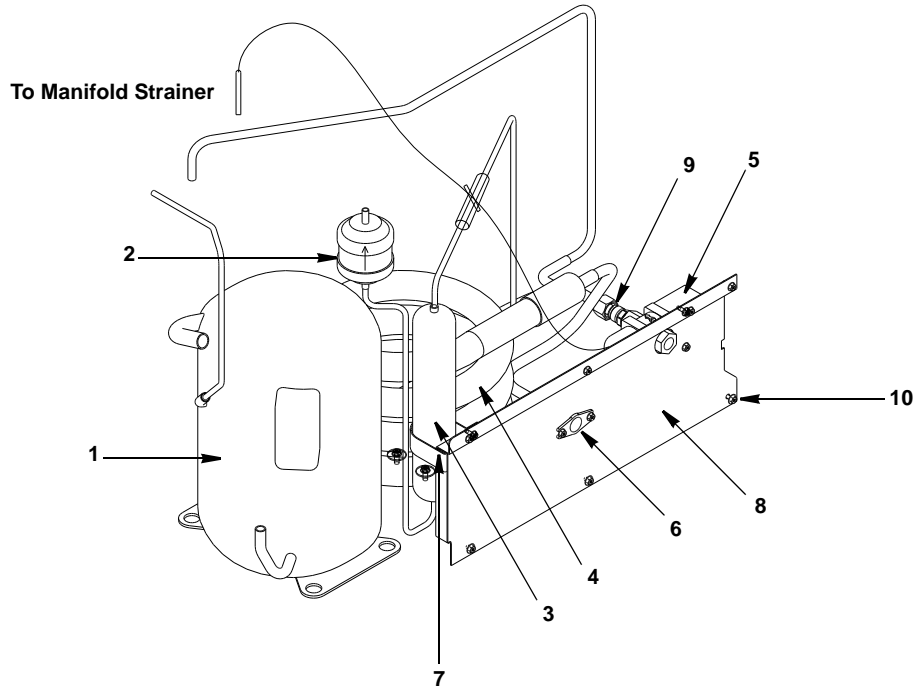
	PART NO.
1 Compressor (Refer to COMMON PARTS Page) .....	Page 4
2 Air Condenser .....	† 82-5114-3
3 Fan Motor (208-230V/60 Hz or 230V/50 Hz) .....	† 76-2672-3
4 Fan Blade .....	24-1612-3
5 Fan Cycling Control .....	† 20-0127-3
6 Air Filter (Not shown) .....	40-4020-3
7 Drier .....	† 89-3025-9

### Miscellaneous – Brackets, Screws, etc.

8 Air Filter Clip .....	† 56-5069-9
9 Fan Shroud .....	601881-1
10 Fan Motor Mounting Bracket .....	34-0616-3
11 Fan Motor Mounting Screw .....	† 50-3358-9
a. Fan Motor Mounting Lockwasher .....	† 55-4510-9
b. Fan Motor Mounting Hexnut .....	† 54-2952-9
12 Fan Bracket Mounting Screw .....	† 50-3358-9
13 Fan Bracket Mounting Lockwasher .....	† 55-4510-9
14 Fan Bracket Mounting Flatwasher .....	† 55-7305-9
15 Fan Bracket Mounting Rubber Wellnut .....	† 54-2955-9
16 Screw, #10-24 x .50 .....	† 52-0206-9

† Refer to Cross Reference Guide

# Q800 REFRIGERATION COMPARTMENT – WATER-COOLED



pt1200

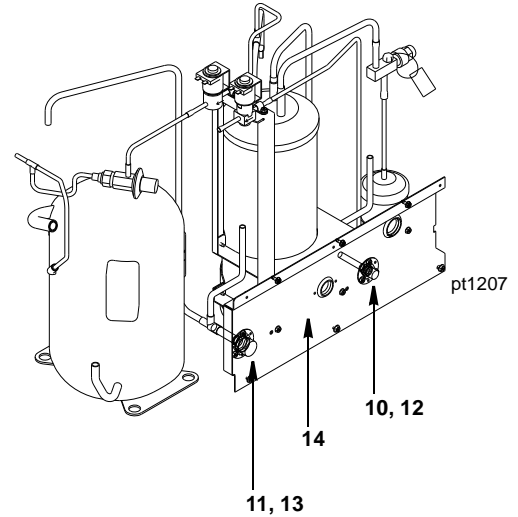
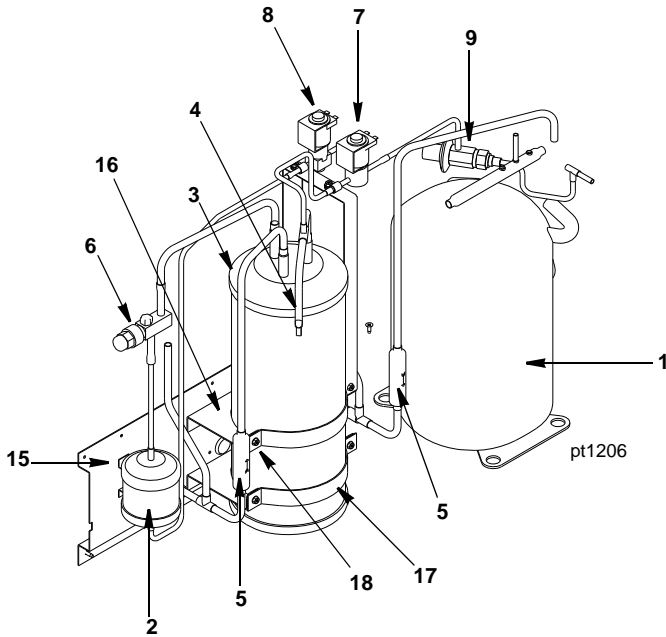
## DESCRIPTION

DESCRIPTION	PART NO.
1 Compressor (Refer to COMMON PARTS Page) .....	Page 4
2 Drier .....	† 89-3025-9
3 Receiver .....	89-0012-3
4 Water-cooled Condenser .....	† 88-6534-3
5 Water Regulating Valve .....	† 83-7206-9
6 Water Drain Female Wing Adapter .....	87-0608-3

## Miscellaneous – Brackets, Screws, etc.

7 Receiver Strap .....	600054-1
8 Back Panel .....	601906-1
9 Water Coupling .....	83-3203-3
10 Screw, #10-24 x .75 .....	† 52-0218-9

## Q800 REFRIGERATION COMPARTMENT – REMOTE

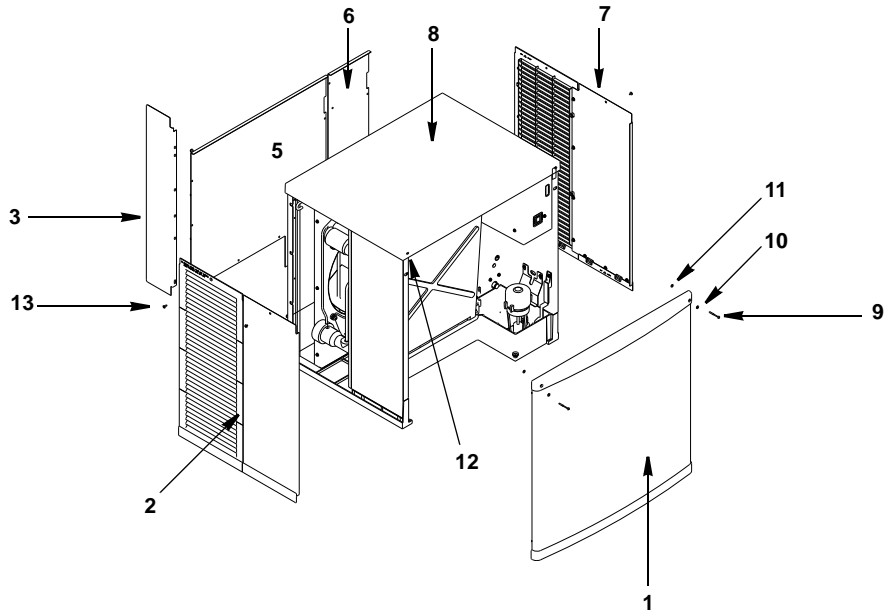


### DESCRIPTION

		PART NO.
1	Compressor (Refer to COMMON PARTS) . . . . .	Page 4
2	Drier . . . . .	† 89-3027-9
3	Receiver . . . . .	† 76-2957-3
4	Safety Soft Plug . . . . .	† 628451-9
5	Magni-Check Valve . . . . .	† 83-7314-9
6	Refrigeration Service Valve . . . . .	† 83-7316-9
	a. Cap for Refrigeration Service Valve . . . . .	56-5075-3
7	<b>Harvest Pressure Regulating Solenoid (HPR) Valve</b>	
	a. HPR Valve Including 208/230V 50/60 Hz Electrical Coil (Danfoss) . . . . .	† 76-3006-1
	b. HPR Valve 208/230V 50/60 Hz Coil Only Danfoss . . . . .	000002049
	c. HPR Valve 208/230V 50/60 Hz Coil Only Alco . . . . .	† 24-0448-3
8	<b>Liquid Line Solenoid (LLS) Valve</b>	
	a. LLS Valve Including 208/230V 50/60 Hz Electrical Coil (Danfoss) . . . . .	† 76-3008-1
	b. LLS Valve 208/230V 50/60 Hz Coil Only Danfoss . . . . .	000002049
	c. LLS Valve 208/230V 50/60 Hz Coil Only Alco . . . . .	† 24-0448-3
9	Harvest Pressure Regulating Valve (HPR) . . . . .	† 83-6779-3
10	Coupling – Male, 5/8-18 . . . . .	† 83-6034-3
11	Coupling – Male, 1-1/6-12 . . . . .	† 83-6035-3
<b>Miscellaneous – Brackets, Screws, etc.</b>		
12	Coupling Mounting Flange for 5/8-18 . . . . .	83-6005-3
13	Coupling Mounting Flange for 1-1/16-12 . . . . .	83-6006-3
14	Back Panel . . . . .	601906-1
15	Drier Support Bracket . . . . .	601737-1
16	Receiver Mounting Bracket . . . . .	600056-1
17	Receiver Mounting Strap . . . . .	630721-4
18	Screw, #10-24 x .50 . . . . .	† 52-0206-9

† Refer to Cross Reference Guide

## Q800 PANELS



pt1203

### DESCRIPTION

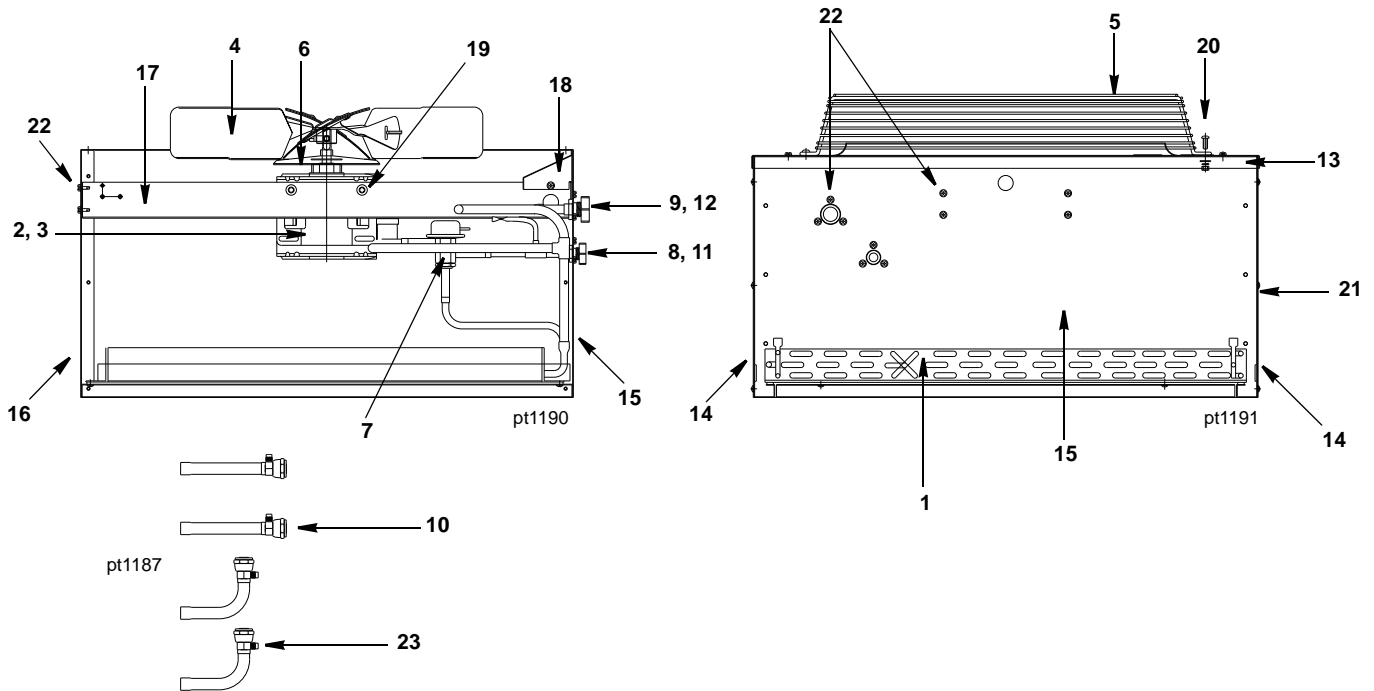
DESCRIPTION	PART NO.
1 Front Panel Assembly . . . . .	76-2857-3
2 Left Side Panel . . . . .	† 76-2833-3
3 Air Baffle . . . . .	602375-1
4 Air Filter (Not shown) . . . . .	40-4020-3
5 Back Panel, Water or Remote . . . . .	602458-1
6 Back Panel, Air . . . . .	602457-1
7 Right Side Panel . . . . .	† 76-2834-3
8 Top Cover . . . . .	43-0331-3

### Miscellaneous – Brackets, Screws, etc.

9 Front Cover Screw . . . . .	† 51-1901-9
10 Front Cover Washer . . . . .	† 55-7338-9
11 Front Cover Screw Retainer . . . . .	56-4827-9
12 Speed Nut Assembly to Mount Front Cover . . . . .	† 54-7303-9
13 Screw, #10-24 x .50 Flat . . . . .	† 52-0209-9
14 Extruded Tape (Not shown) . . . . .	† 92-0250-9
15 Front Top Support (Not shown) . . . . .	† 658041-9

**NOTE:** Items 9, 10, 11 and 12 can be ordered as assembly 76-2898-3.

## JC0895 REMOTE CONDENSER (USED WITH Q600 AND Q800 REMOTE ICE MACHINES)



### DESCRIPTION

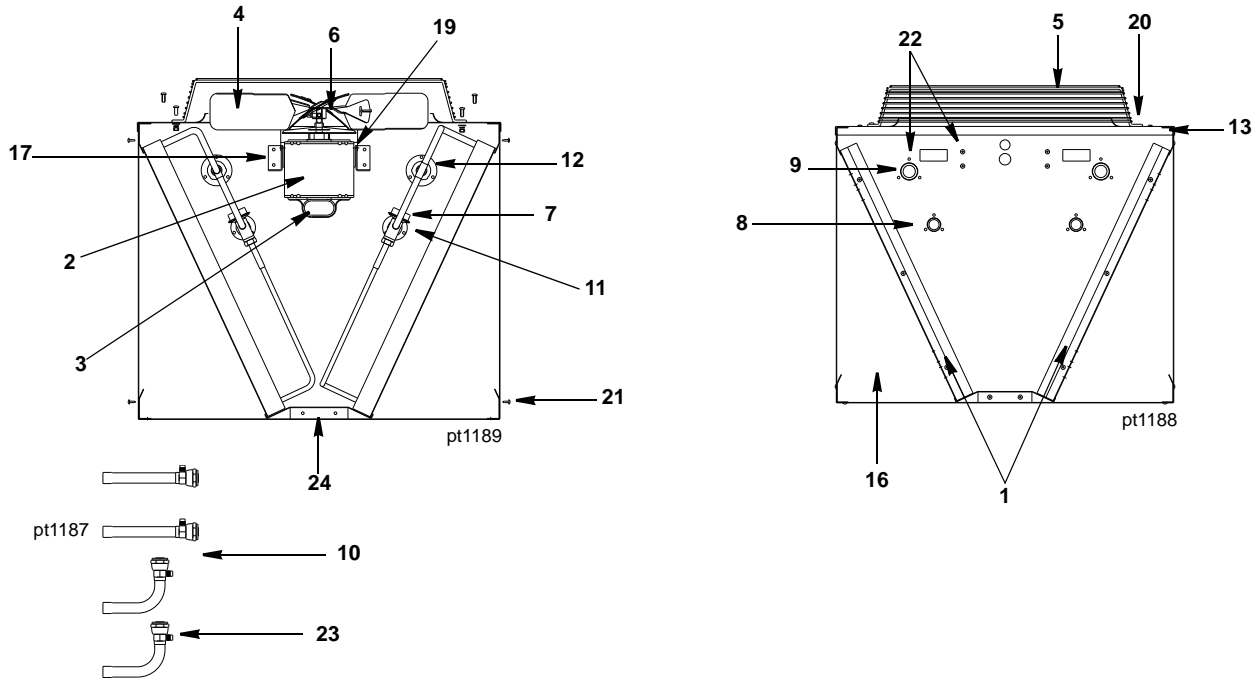
DESCRIPTION	PART NO.
1 Air Condenser . . . . .	† 88-5062-9
2 Fan Motor (208-230V 50/60 Hz/1 Ph) . . . . .	† 76-2941-3
3 Fan Motor Run Capacitor (Emerson) . . . . .	85-0458-3
3 Fan Motor Run Capacitor (Magnatec) . . . . .	No Longer Available
4 Fan Blade . . . . .	24-1611-3
5 Fan Guard . . . . .	34-0064-3
6 Rain Slinger . . . . .	24-1505-3
7 Head Pressure Control . . . . .	83-6809-3
8 Coupling – Male, 5/8-18 . . . . .	† 83-6034-3
9 Coupling – Male, 1-1/6-12 . . . . .	† 83-6035-3
10 Female Line Set Coupling Kit (Sold as Finished Goods Sales Kit) . . . . .	Sales K0129

### Miscellaneous – Brackets, Screws, etc.

11 Coupling Mounting Flange (for 5/8-18) . . . . .	83-6005-3
12 Coupling Mounting Flange (for 1-1/16-12) . . . . .	83-6006-3
13 Top Cover . . . . .	† 601775-1
14 Panel – Side . . . . .	† 601774-1
15 Panel – Rear . . . . .	† 601773-1
16 Panel – Front . . . . .	† 601772-1
17 Fan Motor Mounting Bracket . . . . .	† 601768-1
18 Electrical Box Cover . . . . .	† 601776-1
19 <b>Fan Motor Mounting Screw</b> (5/16-18 x 5/8) . . . . .	† 50-3565-9
a. Fan Motor Mounting Flatwasher . . . . .	† 55-7309-9
b. Fan Motor Mounting Lockwasher . . . . .	† 55-7313-9
c. Fan Motor Mounting Hexnut . . . . .	54-2975-9
20 <b>Fan Guard Mounting Screw</b> (1/4-20 x 5/8) . . . . .	† 50-3345-9
a. Fan Guard Mounting Flatwasher . . . . .	† 55-7304-9
b. Fan Guard Mounting Lockwasher . . . . .	† 55-4511-9
c. Fan Guard Mounting Hexnut . . . . .	† 54-2952-9
21 <b>Panel/Condenser Mounting Screw</b> (#8 x 1/2) . . . . .	† 51-2153-9
a. Panel/Condenser Mounting Lockwasher . . . . .	† 55-4459-9
22 Screw (#10-24 x 1/2) . . . . .	† 52-0206-9
23 Valve Cores (used in linesets) . . . . .	76-2684-3
24 Legs (Not shown) (4 Req.) . . . . .	† 601769-1

† Refer to Cross Reference Guide

## DC0862 DUAL CIRCUIT REMOTE CONDENSER (USED WITH Q600 AND Q800 REMOTE ICE MACHINES)



### DESCRIPTION

	<b>PART NO.</b>
1 Air Condenser . . . . .	† 88-5062-9
2 Fan Motor (115V/60 Hz/1 Ph) . . . . .	† 76-2942-3
3 Fan Motor Run Capacitor . . . . .	No Longer Available
4 Fan Blade . . . . .	24-1611-3
5 Fan Guard . . . . .	34-0064-3
6 Rain Slinger . . . . .	24-1505-3
7 Head Pressure Control . . . . .	83-6809-3
8 Coupling – Male, 5/8-18 . . . . .	† 83-6034-3
9 Coupling – Male, 1-1/6-12 . . . . .	† 83-6035-3
10 Female Line Set Coupling Kit (Sold as Finished Goods Sales Kit) . . . . .	Sales K0129

### Miscellaneous – Brackets, Screws, etc.

11 Coupling Mounting Flange (for 5/8-18) . . . . .	83-6005-3
12 Coupling Mounting Flange (for 1-1/16-12) . . . . .	83-6006-3
13 Top Cover . . . . .	601789-1
14 Legs (Not shown) (4 Req.) . . . . .	† 601769-1
15 Panel – Rear (Not shown) . . . . .	† 601788-1
16 Panel – Front . . . . .	† 601787-1
17 Fan Motor Mounting Bracket . . . . .	† 601768-1
18 Electrical Box Cover (Not shown) . . . . .	† 601776-1
19 <b>Fan Motor Mounting Screw</b> (5/16-18 x 5/8) . . . . .	† 50-3565-9
a. Fan Motor Mounting Flatwasher . . . . .	† 55-7309-9
b. Fan Motor Mounting Lockwasher . . . . .	† 55-7313-9
c. Fan Motor Mounting Hexnut . . . . .	54-2975-9
20 <b>Fan Guard Mounting Screw</b> (1/4-20 x 5/8) . . . . .	† 50-3345-9
a. Fan Guard Mounting Flatwasher . . . . .	† 55-7304-9
b. Fan Guard Mounting Lockwasher . . . . .	† 55-4511-9
c. Fan Guard Mounting Hexnut . . . . .	† 54-2952-9
21 <b>Panel/Condenser Mounting Screw</b> (#8 x 1/2) . . . . .	† 51-2153-9
a. Panel/Condenser Mounting Lockwasher . . . . .	† 55-4459-9
22 Screw (#10-24 x 1/2) . . . . .	† 52-0206-9
23 Valve Cores (used in linesets) . . . . .	76-2684-3
24 Base Angle . . . . .	601779-1
25 <b>Fan Cycle Kit K00095</b> (Not shown)	
a. Relay . . . . .	24-0819-3
b. Relay Mounting Bracket . . . . .	600000-1
c. Transformer . . . . .	24-1027-3
d. Electrical Junction Box . . . . .	25-1501-3

† Refer to Cross Reference Guide