



**Ice Machine Parts List for  
Series QF800/QC700 Models**

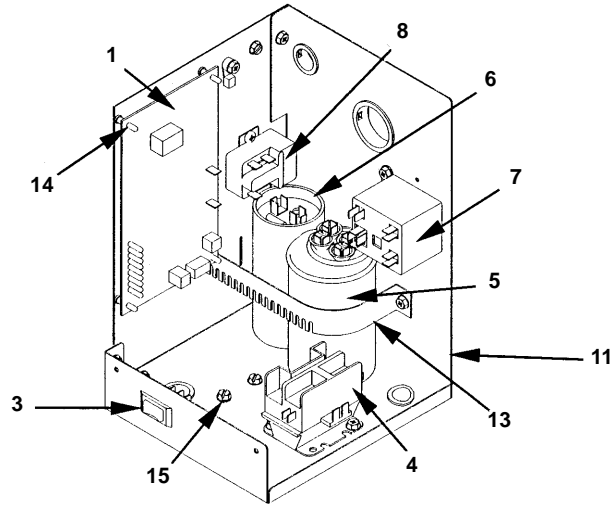
**QF0806A**

**QC0708A**

**QF0807W**

**QC0709W**

## QF800/QC700 CONTROL BOX



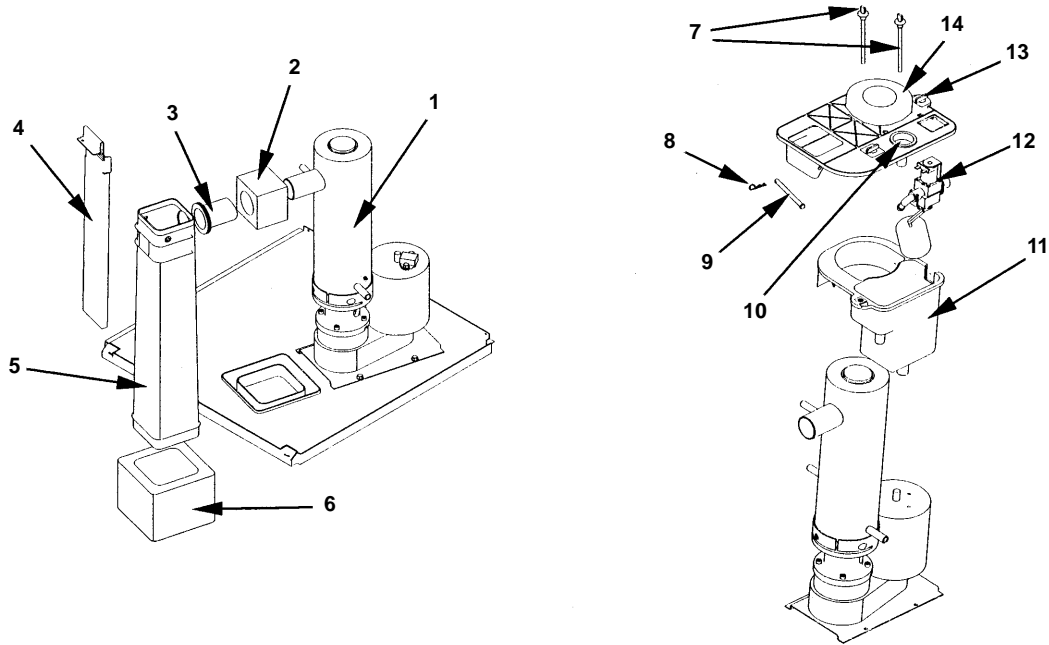
pt1731

### DESCRIPTION

	<b>PART NO.</b>
1 Control Board (for use with all voltages) . . . . .	† 000000588
2 10 Amp Fuse – Mounted on Control Board (Not shown) . . . . .	25-1149-3
3 <b>Toggle Switch</b> Only . . . . .	23-0151-3
a. Toggle Switch Wiring Harness. . . . .	20-0066-3
4 <b>Contactor</b>	
a. 115V/60 Hz/1 Ph . . . . .	† 20-0656-9
b. 230V/50 Hz/60 Hz/1 Ph . . . . .	† 20-0657-9
5 <b>Run Capacitor</b>	
a. 115V/60 Hz/1 Ph . . . . .	000001396
b. 230V/50 Hz/60 Hz/1 Ph . . . . .	000000026
6 <b>Start Capacitor</b>	
a. 115V/60 Hz/1 Ph . . . . .	† 85-0314-3
b. 230V/50 Hz/1 Ph . . . . .	20-0104-3
c. 230V/60 Hz/1 Ph . . . . .	85-0513-3
7 <b>Compressor Relay</b>	
a. 115V/60 Hz/1 Ph . . . . .	20-0762-3
b. 230V/50 Hz/1 Ph . . . . .	20-0763-3
c. 230V/60 Hz/1 Ph . . . . .	20-0764-3
8 <b>Gear Motor Contactor</b>	
a. 115V/60 Hz/1 Ph . . . . .	20-0658-9
b. 230V/50 Hz/1 Ph . . . . .	20-0659-9
9 <b>Gear Motor Capacitor</b>	
a. 115V/60 Hz/1 Ph . . . . .	20-0922-3
b. 230V/50 Hz/1 Ph . . . . .	20-0938-3
10 Compressor Wiring Harness (Not shown) . . . . .	20-0037-3
<b>Miscellaneous – Brackets, Screws, etc.</b>	
11 Control Box . . . . .	604378-1
12 Control Box Cover (Not shown) . . . . .	604379-1
13 Capacitor Mounting Strap . . . . .	602160-1
14 Control Board Mounting Supports . . . . .	43-0225-3
15 Screw, #10-24 x .50 Ground. . . . .	† 52-0216-9
16 Wiring Terminal Block 230V/50 Hz/1 Ph Only (Not shown) . . . . .	20-0614-3

† Refer to Cross Reference Guide

# QF800/QC700 EVAPORATOR ASSEMBLY



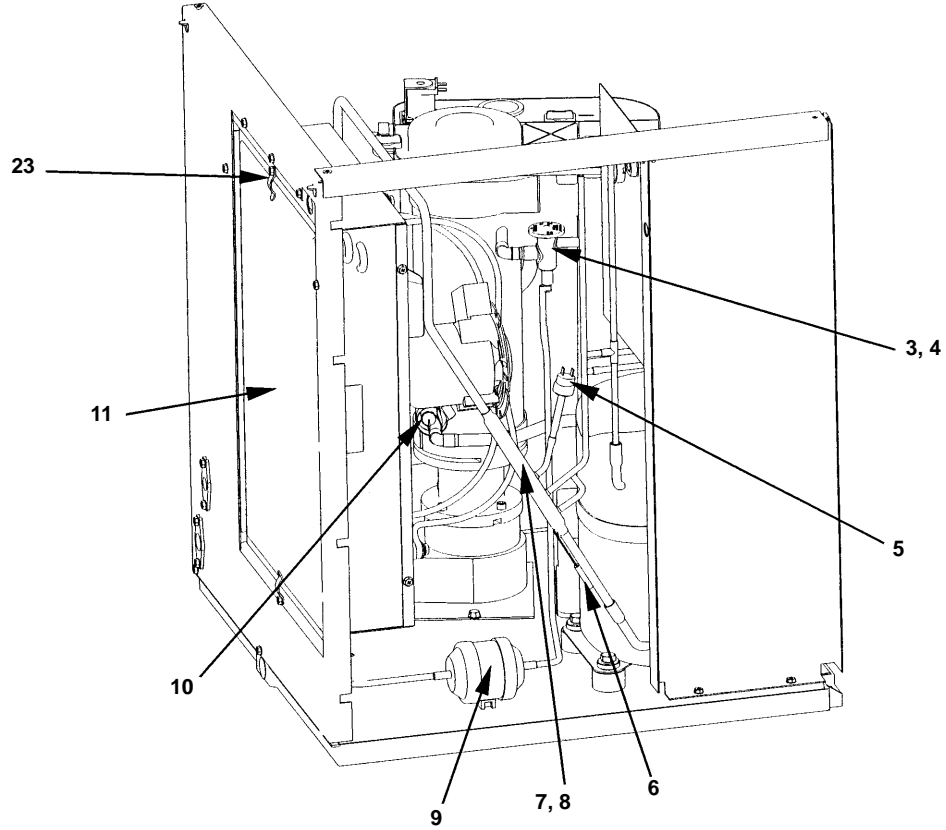
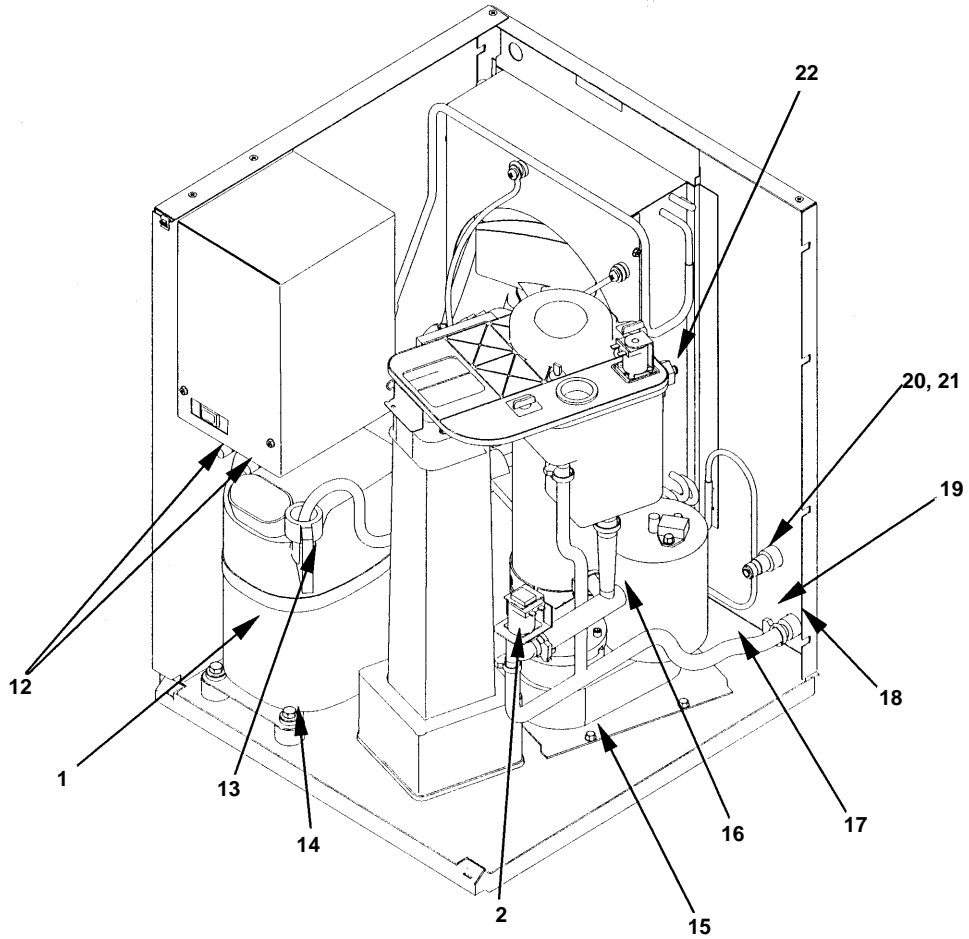
pt1732

## DESCRIPTION

DESCRIPTION	PART NO.
<b>1 Evaporator Assembly</b>	
a. Flake . . . . .	30-0002-3
b. Chiplet. . . . .	30-0003-3
c. Rebuild Kit. . . . .	Refer to page 10
<b>2 Insulation (Discharge Spout) . . . . .</b>	<b>30-0053-3</b>
<b>3 Vinyl Adapter (Discharge Spout) . . . . .</b>	<b>40-0039-3</b>
<b>4 Bin Level Sensor . . . . .</b>	<b>76-0068-3</b>
<b>5 Ice Chute . . . . .</b>	<b>40-0018-3</b>
<b>6 Insulation (Ice Chute - requires 2 pieces) . . . . .</b>	<b>30-0085-3</b>
<b>7 Water Level Probe . . . . .</b>	<b>76-0069-3</b>
<b>8 Hairpin Clip. . . . .</b>	<b>† 37-1203-1</b>
<b>9 Clevis Pin . . . . .</b>	<b>50-0031-3</b>
<b>10 Plug . . . . .</b>	<b>50-0030-3</b>
<b>11 Water Reservoir . . . . .</b>	<b>76-0070-3</b>
<b>12 Water Float Valve Body . . . . .</b>	<b>20-0044-3</b>
a. 115V/60 Hz/1 Coil Only. . . . .	20-0045-3
b. 208-230V/50-60 Hz/ 1 Coil Only . . . . .	20-0046-3
c. Water Valve Foam Seal . . . . .	40-0317-3
<b>13 Wing Nut . . . . .</b>	<b>56-5086-3</b>
a. Wing Nut Receptacle . . . . .	56-5085-3
<b>14 Water Reservoir Cover. . . . .</b>	<b>40-0035-3</b>

† Refer to Cross Reference Guide

# QF800/QC700 REFRIGERATION COMPARTMENT



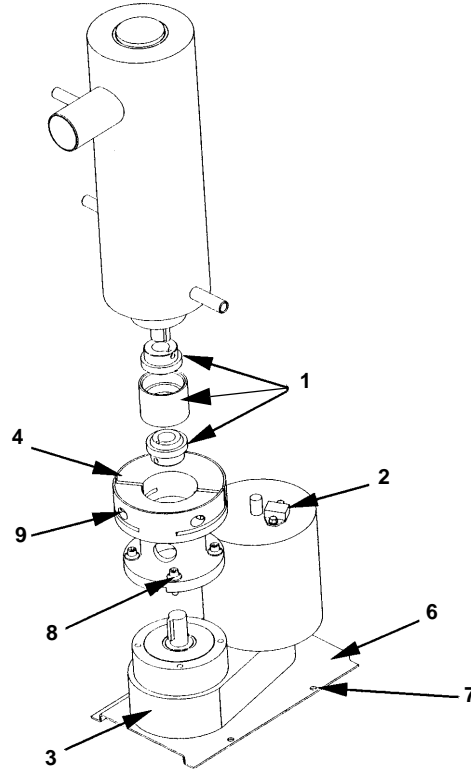
pt1733

## QF800/QC700 REFRIGERATION COMPARTMENT

DESCRIPTION	PART NO.
<b>1 Compressor</b>	
a. 115V/60 Hz/1 Ph. . . . .	† 76-0071-3
b. Overload for Compressor . . . . .	76-0073-3
c. 230V/50 Hz/1 Ph. . . . .	† 76-0072-3
d. Overload for Compressor . . . . .	76-0074-3
e. 230V/60 Hz/1 Ph. . . . .	76-0114-3
f. Overload for Compressor . . . . .	82-0000-3
<b>2 Water Dump Valve</b>	
a. 120V/60 Hz/1 Ph. . . . .	000001767
b. 230V/50-60 Hz . . . . .	000001768
c. Dump Valve Rebuild Kit . . . . .	No Longer Available
<b>3 Expansion Valve. . . . .</b>	† 76-0075-3
<b>4 Expansion Valve Body Insulation Boot. . . . .</b>	40-0057-3
<b>5 High Pressure Control . . . . .</b>	† 20-0124-3
<b>6 Thermistor . . . . .</b>	† 20-0129-3
<b>7 Manifold Strainer (water) . . . . .</b>	83-1015-3
<b>8 Manifold Strainer (air). . . . .</b>	82-5096-3
<b>9 Liquid Line Drier. . . . .</b>	† 89-3025-9
<b>10 Expansion Valve Bulb Insulation Boot . . . . .</b>	† 40-0720-3
a. Copper Expansion Valve Bulb Strap . . . . .	30-0050-3
b. Hose Clamp . . . . .	† 56-5052-9
<b>11 Filter (Air-Cooled Condenser Only) . . . . .</b>	† 40-4023-3
<b>Miscellaneous – Brackets, Screws, etc.</b>	
<b>12 Access Valves . . . . .</b>	83-7326-3
<b>13 Suction Line Insulation. . . . .</b>	40-0088-3
<b>14 Compressor Mounting</b>	
a. Grommet. . . . .	† 85-0306-9
b. Bolt . . . . .	† 50-3572-9
c. Sleeve. . . . .	† 85-0394-9
<b>15 Screw . . . . .</b>	50-0029-3
<b>16 Vinyl Drain Tubing . . . . .</b>	40-0038-3
<b>17 Vinyl Drain Tubing . . . . .</b>	40-0037-3
<b>18 Female Drain Adapter . . . . .</b>	87-0608-3
<b>19 Hose Clamp . . . . .</b>	† 56-5064-9
<b>20 Water Inlet Female Wing Adapter . . . . .</b>	† 87-0609-3
<b>21 Threaded Adapter 1/4 x 1/8 NPTF . . . . .</b>	13-6096-1
<b>22 Water Inlet Fitting . . . . .</b>	50-0023-3
a. Quick Disconnect Fitting. . . . .	50-0024-3
<b>23 Air Filter Clip. . . . .</b>	† 56-5069-9
<b>24 Water Inlet Tubing 1/4 . . . . .</b>	44-2029-1
<b>25 Water Inlet Tubing Insulation . . . . .</b>	604360-1
<b>26 Elbow . . . . .</b>	50-0053-3

† Refer to Cross Reference Guide

# QF800/QC700 GEARMOTOR ASSEMBLY

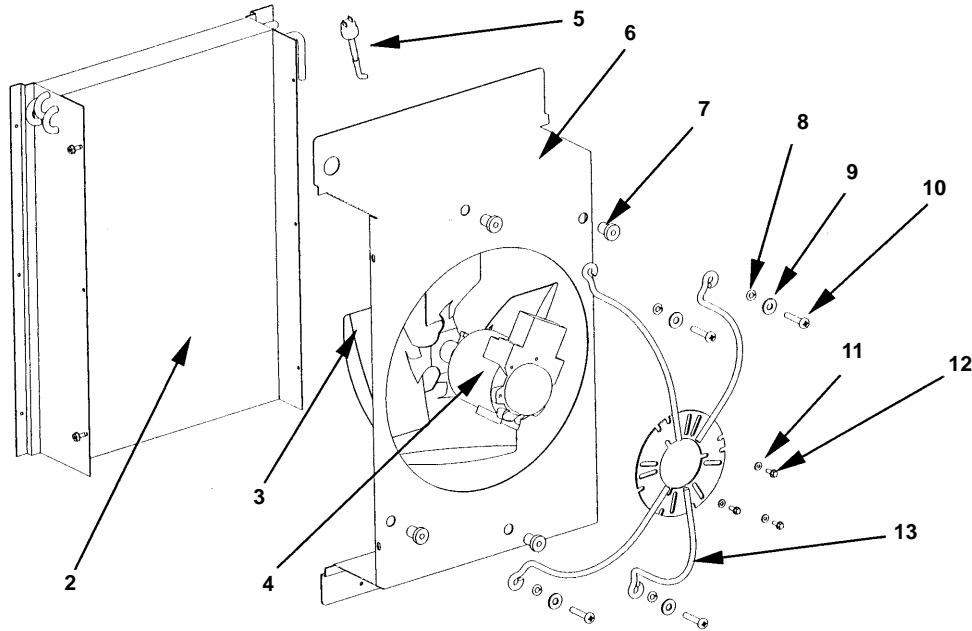


pt1735

DESCRIPTION		PART NO.
1 Coupler with Splined Hubs . . . . .		000003060
2 Gear Motor Speed Sensor . . . . .		20-0043-3
3 <b>Gear Box Motor Assembly</b>		
a. 115V/60 Hz/1 Ph . . . . .		000000342
b. 230V/50 Hz/1 Ph . . . . .		000000343
c. 230V/60 Hz/1 Ph . . . . .		000000344
4 Evaporator Foundation . . . . .		000001742
5 Evaporator Suction Line Outlet Insulation Boot . . . . .		40-0058-3
<b>Miscellaneous – Brackets, Screws, etc.</b>		
6 Gearbox Assembly Mounting Bracket . . . . .		604082-1
7 Gearbox Mounting Bracket Screw . . . . .		50-0029-3
8 Foundation Mounting Bolt (Allen Head) . . . . .		† 50-0026-9
a. Flatwasher . . . . .		† 55-7304-9
b. Lockwasher . . . . .		55-4511-9
9 Foundation Bolt . . . . .		50-0027-3

† Refer to Cross Reference Guide

# QF800/QC700 REFRIGERATION COMPARTMENT – AIR-COOLED



pt1736

## DESCRIPTION

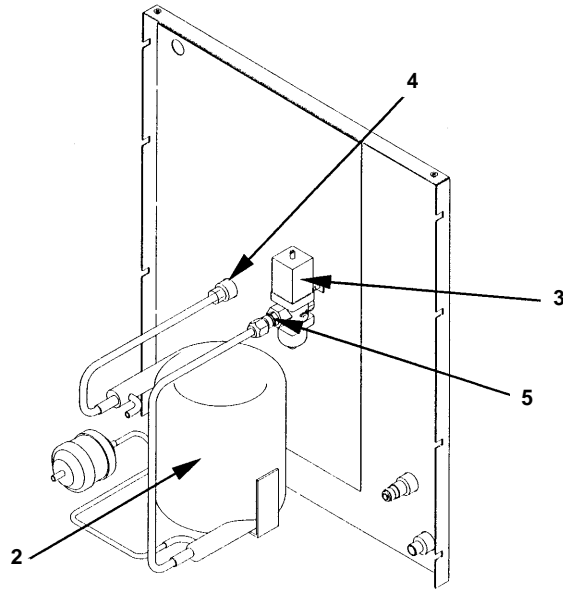
	<b>PART NO.</b>
1 Compressor (Refer to COMMON PARTS Page) .....	Page 5
2 Air Condenser .....	88-5124-3
3 Fan Blade .....	24-1620-3
4 <b>Fan Motor</b>	
a. 115V/60 Hz/1 Ph .....	† 24-1292-9
b. 208-230V/60 Hz or 230V/50 Hz .....	† 24-1293-9
c. Air Filter .....	Page 5
5 Fan Cycling Control .....	† 20-0126-3

## Miscellaneous – Brackets, Screws, etc.

6 Fan Shroud .....	604174-1
7 Fan Bracket Mounting Rubber Wellnut .....	† 54-2955-9
8 Fan Bracket Mounting Lockwasher .....	† 55-4510-9
9 Fan Bracket Mounting Flatwasher .....	† 55-7305-9
10 Fan Bracket Mounting Screw .....	† 50-3358-9
11 Fan Motor Mounting Flatwasher .....	† 55-0426-9
12 Fan Motor Mounting Screw .....	† 50-2559-9
13 Fan Motor Bracket .....	34-0662-3

† Refer to Cross Reference Guide

# QF800/QC700 REFRIGERATION COMPARTMENT – WATER-COOLED

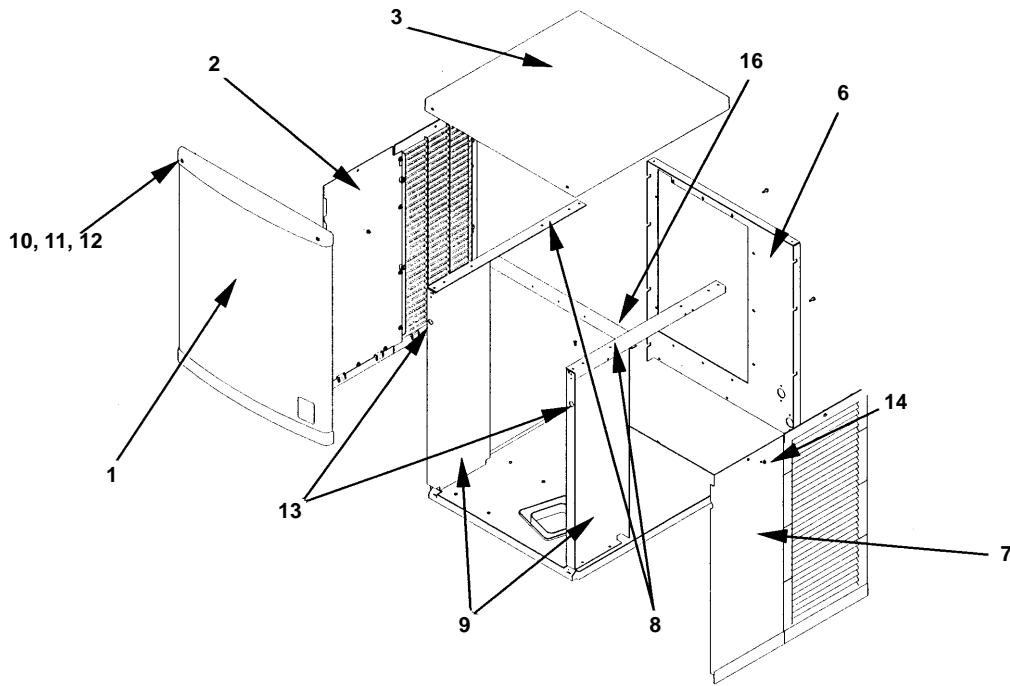


pt1737

## DESCRIPTION

DESCRIPTION	PART NO.
1 Compressor (Refer to COMMON PARTS Page) .....	Page 5
2 Water-cooled Condenser .....	† 88-6532-3
3 Water Regulating Valve .....	† 83-7206-9
4 Water Drain Female Wing Adapter .....	87-0608-3
<b>Miscellaneous – Brackets, Screws, etc.</b>	
5 Water Coupling .....	83-3202-3

## QF800/QC700 PANELS



pt1738

### DESCRIPTION

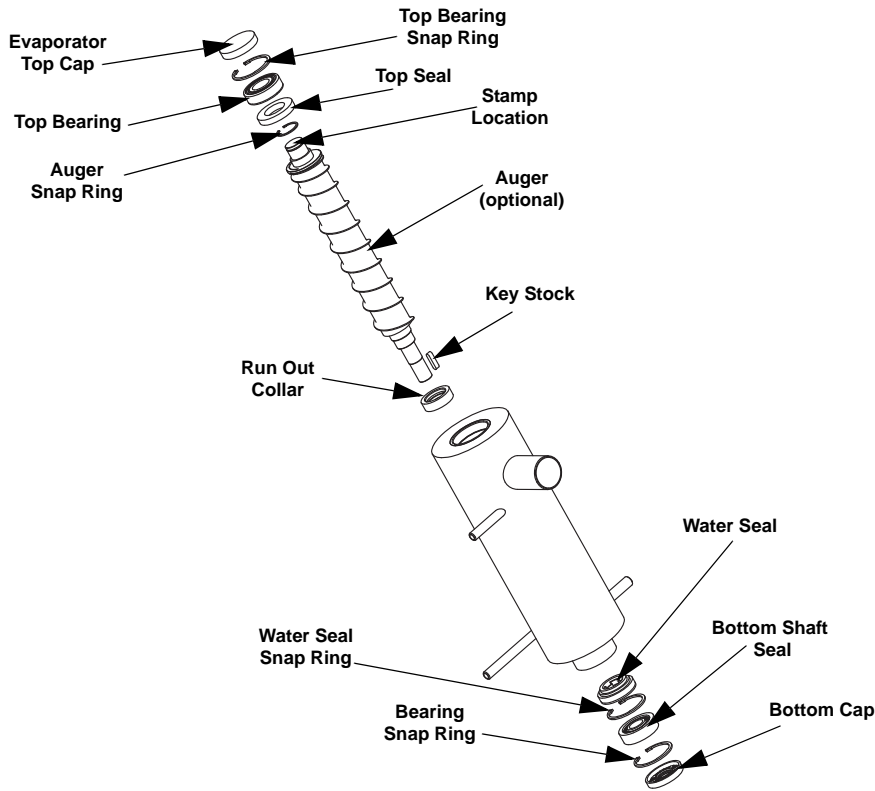
	<b>PART NO.</b>
1 Front Panel Assembly . . . . .	76-2832-3
2 Left Side Panel. . . . .	† 76-2833-3
3 Top Cover. . . . .	43-0299-3
4 Air Baffle (Not shown) . . . . .	† 602375-1
5 Air Filter . . . . .	Page 5
6 Back Panel, Air. . . . .	604177-1
6 Back Panel, Water . . . . .	604323-1
7 Right Side Panel . . . . .	† 76-2834-3
8 Top Rail . . . . .	603984-1
9 Interior Support Panel . . . . .	603858-1

### Miscellaneous – Brackets, Screws, etc.

10 Front Cover Screw . . . . .	† 51-1901-9
11 Front Cover Washer. . . . .	† 55-7338-9
12 Front Cover Screw Retainer. . . . .	† 56-4827-9
13 Speed Nut Assembly to Mount Front Cover. . . . .	† 54-7304-9
14 Screw, #10-24 x .50 Flat . . . . .	† 52-0209-9
15 Extruded Tape (Not shown) . . . . .	† 92-0250-9
16 Support Angle . . . . .	604139-1

† Refer to Cross Reference Guide

## QF800/QC700 EVAPORATOR RE-BUILD KIT



An Evaporator Re-Build Kit is now available for out of warranty Flake and Chiplet Ice Machine evaporators. Defective in warranty evaporators must be replaced, the warranty does not allow re-building. There are kits for different sized evaporators as well evaporators that may need the auger changed.

- Evaporators can only be re-built with the kit.
- When an evaporator is disassembled all parts must be replaced.
- Parts are not available individually, only in kit form.

### Identifying Correct Kit:

The augers inside of the evaporators are stamped with a letter, the letter indicates the date (A=2000, B=2001, C=2002, etc.). Remove the top cap on the auger and wipe off the grease to see the stamped letter. Use the chart below to determine the proper kit.

<b>Re-Build Kit Part Numbers</b>				
	<b>Stamped A or B</b>		<b>All Others</b>	
<b>Model</b>	<b>Re-Build Kit</b>	<b>Re-Build Kit with Auger</b>	<b>Re-Build Kit</b>	<b>Re-Build Kit with Auger</b>
<b>QC700</b>	76-0168-3	76-0169-3	76-0166-3	76-0169-3
<b>QF800</b>	76-0168-3	76-0170-3	76-0166-3	76-0170-3