

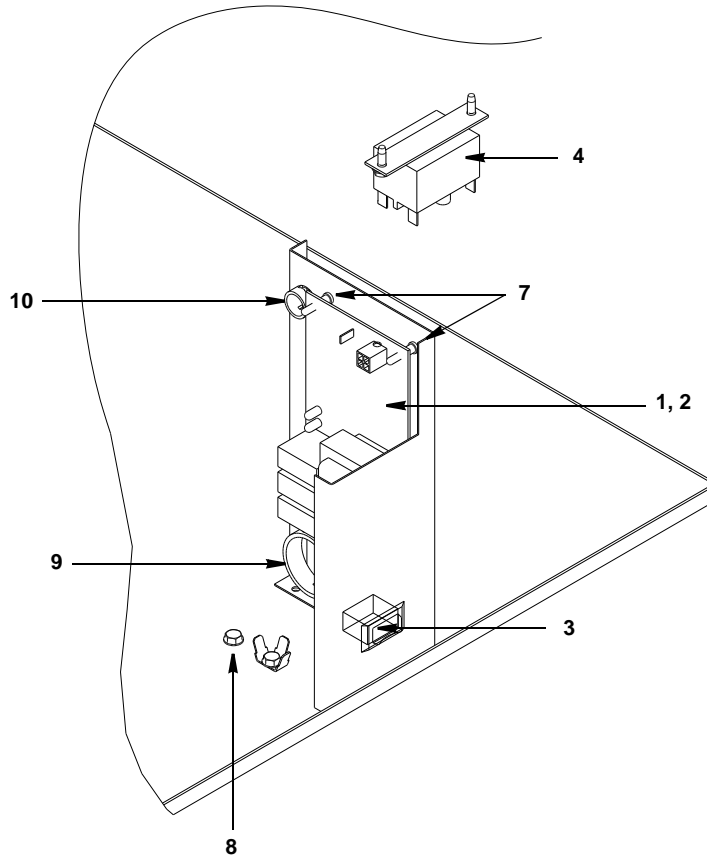


**Ice Machine Parts List for
Series QM45 Models**

QM45A

QM45AE

QM45 CONTROL BOX



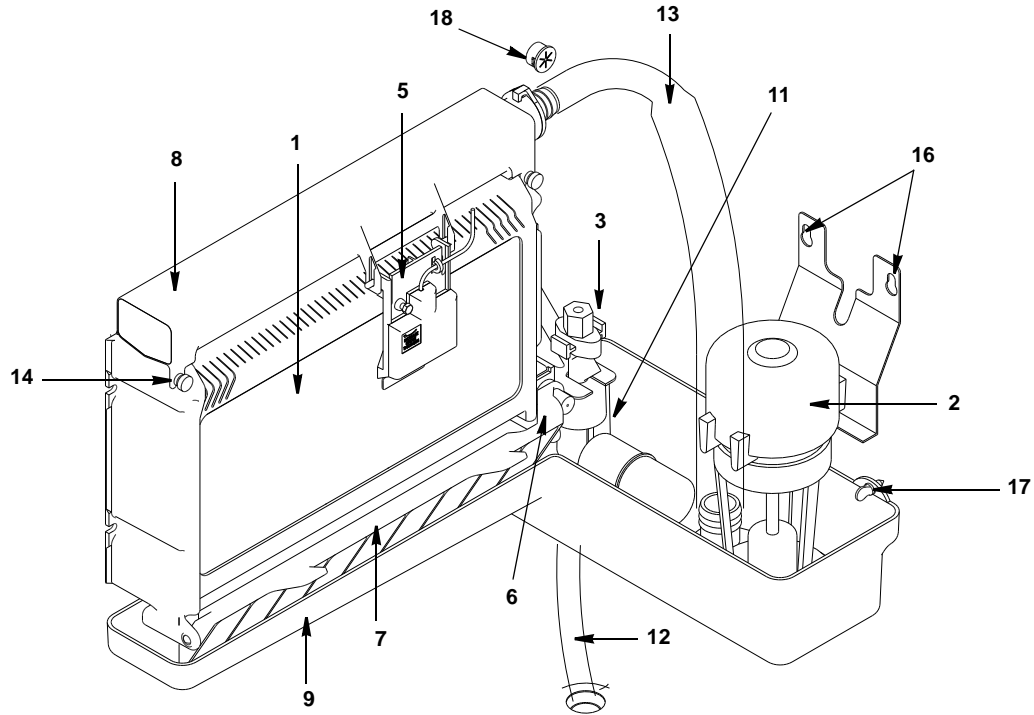
pt1274

DESCRIPTION

	PART NO.
1 Control Board (for use with all voltages)	† 76-2907-3
2 10 Amp Fuse – Mounted on Control Board	25-1149-3
3 Toggle Switch Only	23-0151-3
a. Toggle Switch Wiring Harness Only	20-3248-3
4 Relay	
a. 115V/60 Hz/1 Ph	85-0553-3
b. 230V/50-60 Hz/1 Ph	85-0554-3
5 Wiring Harness	
a. Air-Cooled (Not shown)	20-0830-3
b. Ice Thickness Control Probe (Wire Lead and Connectors Only)	20-0701-3
Ice Thickness Control Probe (Wire Lead and Connectors Only)	76-0160-3
6 Power Cord	
a. 125V/60 Hz (Not shown)	20-3301-3
b. 230V/50 Hz (Not shown)	20-3302-3
Miscellaneous – Brackets, Screws, etc.	
7 Control Board Mounting Supports	43-0225-3
8 Screw, #10-24 x .50 Ground	52-0233-3
9 Bushing	† 25-0013-9
10 Bushing	† 25-0218-9

† Refer to Cross Reference Guide

QM45 EVAPORATOR ASSEMBLY



pt1273

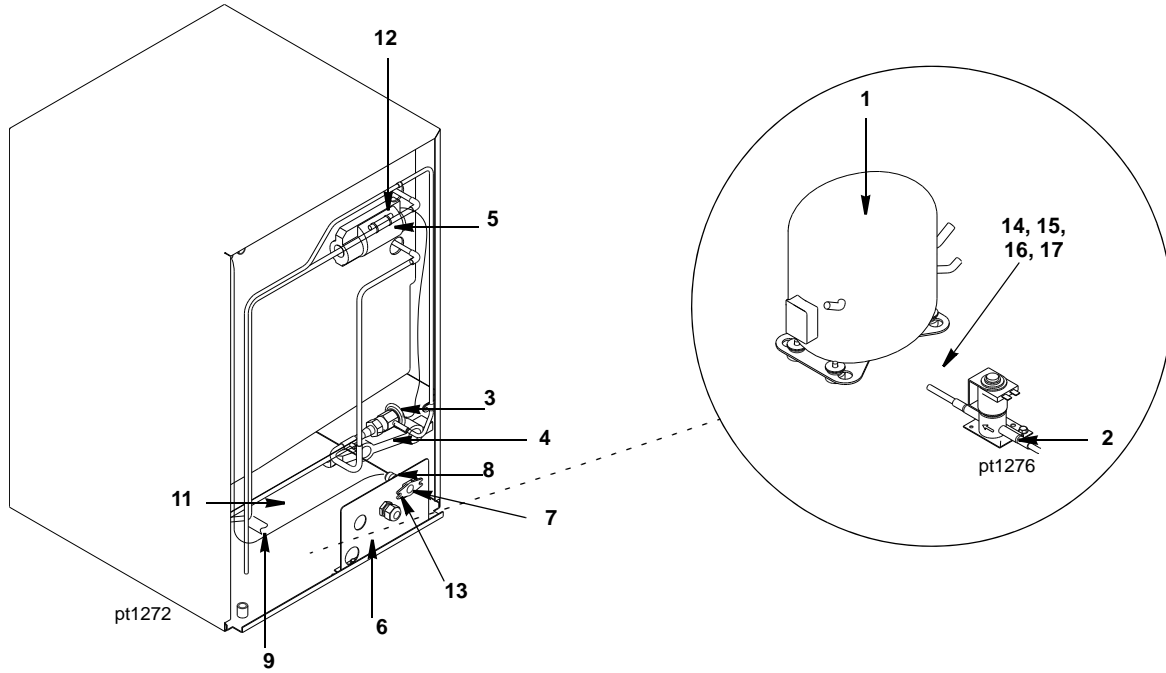
DESCRIPTION

PART NO.

1 Evaporator Assembly	
a. Dice Cube	† 76-2946-3
2 Water Pump	
a. 115V/60 Hz	† 76-2306-3
b. 230V/50 Hz	† 76-2601-3
3 Float Valve (Complete Assembly) - Up to Serial Number 031100000	† 76-0213-3
4 Float Valve (Complete Assembly) - After Serial Number 031100000	83-6904-9
a. Float Valve Screen	† 83-6906-9
b. Float Valve Plunger	† 83-6908-9
c. Float Valve Compression Nut	† 56-5072-9
5 Ice Thickness Control Probe	† 76-0160-3
6 Magnetic Bin Switch (Mounted to Evaporator)	† 23-0148-3
7 Ice Damper	† 76-0049-3
a. Ice Damper Magnet and Cap	76-2909-3
8 Water Distribution Tube	43-0426-3
9 Water Trough	43-0412-3
10 Water Inlet Tubing (Not shown)	44-2029-1
11 Siphon Cap	43-0222-3
Miscellaneous – Brackets, Screws, etc.	
12 Drain Tube	† 76-0086-3
13 Tubing (Water Pump Out)	40-1205-3
14 Screw, #8-32 x .63 Nylon Water Distribution Tube Mounting	† 50-0001-3
15 Screw, #10-24 x .750 Used to Mount Evaporator (Not shown)	† 52-0218-9
16 Screw, #10-24 x .50	† 52-0206-9
17 Thumbscrew, #8-32 x .625	53-0510-3
18 Bushing (Ice Thickness Probe Wire)	† 25-0016-9
19 Water Pump Lead (Not Shown)	20-7806-3

† Refer to Cross Reference Guide

QM45 REFRIGERATION COMPARTMENT – COMMON PARTS

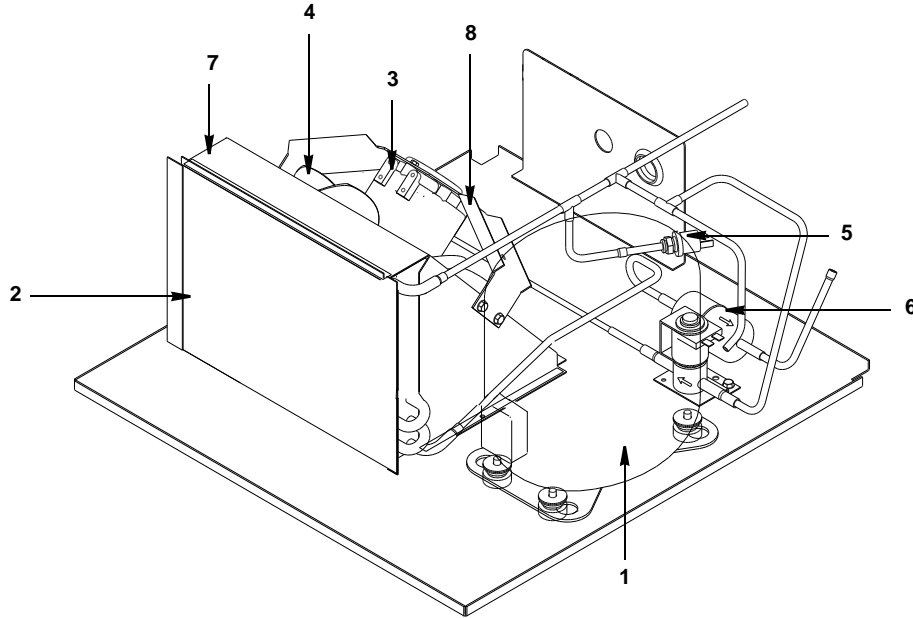


DESCRIPTION

		PART NO.
1 Compressor		
a.	115V/60 Hz/1 Ph	† 76-2918-3
b.	Overload for Compressor	† 85-0568-3
c.	Starting Device	85-0570-3
d.	230V/50 Hz/1 Ph	† 76-2919-3
e.	Overload for Compressor	† 85-0550-3
f.	Starting Device	85-0569-3
2 Hot Gas Valve		
a.	Hot Gas Valve Including 115V 60 Hz Electrical Coil (Danfoss)	† 76-3000-1
b.	Hot Gas Valve 115V Coil Only Danfoss	000002048
c.	Hot Gas Valve 115V Coil Only Alco	24-0436-3
d.	Hot Gas Valve Including 208/230V 50/60 Hz Electrical Coil (Danfoss)	† 76-3006-1
e.	Hot Gas Valve 230V/50 Hz Coil Only Danfoss	000002049
f.	Hot Gas Valve 230V/50 Hz Coil Only Alco	† 24-0448-3
3 Expansion Valve	† 76-2950-3
4 Expansion Valve Body Insulation Boot	40-0721-3
5 Expansion Valve Bulb Insulation Boot	40-0720-3
Miscellaneous – Brackets, Screws, etc.		
6 Bracket (Water/Electrical Inlet)	603515-1
7 Water Inlet Female Wing Adapter	† 87-0609-3
8 Male Connector 1/4" OD x 1/8" NTPF	13-6096-1
9 Bin Drain Tubing (Molded)	44-2144-3
10 Bin Drain Hose Clamp (Not shown)	† 56-5064-9
11 Water Inlet Tubing .375 ID	44-2029-1
12 Clamp, Expansion Valve Bulb	† 56-5052-9
13 Screw, #10-24 x .50	† 52-0206-9
14 Compressor Mounting Retainer	† 56-4826-9
15 Compressor Mounting Washer	† 55-7317-9
16 Compressor Clevis Pin 1/4" x 1"	† 37-1210-9
17 Compressor Hairpin Clip	† 56-4828-9

† Refer to Cross Reference Guide

QM45 REFRIGERATION COMPARTMENT – AIR-COOLED



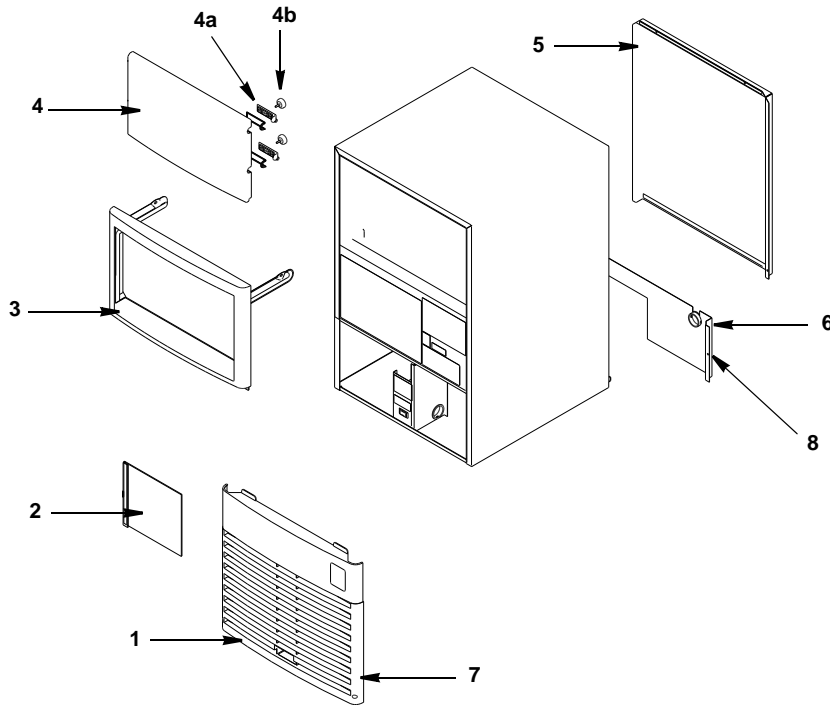
pt1275

DESCRIPTION

	PART NO.
1 Compressor (Refer to COMMON PARTS Page)	Page 4
2 Air Condenser	88-5135-3
3 Fan Motor	
a. 115V	† 76-2961-3
b. 230V/50 Hz	† 76-2962-3
4 Fan Blade	24-1624-3
5 Fan Cycling Control	23-5545-3
6 Drier	† 89-3025-9
Miscellaneous – Brackets, Screws, etc.	
7 Fan Shroud	602938-1
8 Fan Motor Mounting Bracket	602940-1
9 Speed Nut to Mount Fan Blade (Not shown)	† 54-7507-9

† Refer to Cross Reference Guide

QM45 PANELS



pt1277

DESCRIPTION

DESCRIPTION	PART NO.
1 Front Panel Assembly	76-2921-3
2 Air Filter	76-2922-3
3 Door Frame Assembly	43-0407-3
4 Bin Door	43-0408-3
a. Door Pin Gasket and Door Pin Assembly	76-2923-3
b. Door Pin Thumbscrews	50-1235-3
5 Back Panel, Upper	† 604710-1
6 Back Panel, Lower	602946-1

Miscellaneous – Brackets, Screws, etc.

7 Front Cover Screw	† 52-0223-9
8 Screw, #10-24 x .50	† 51-2153-9
9 Ice Scoop (Not shown)	33-0258-3